

Fold a Cover[®] / LS series

Built for your lifestyle

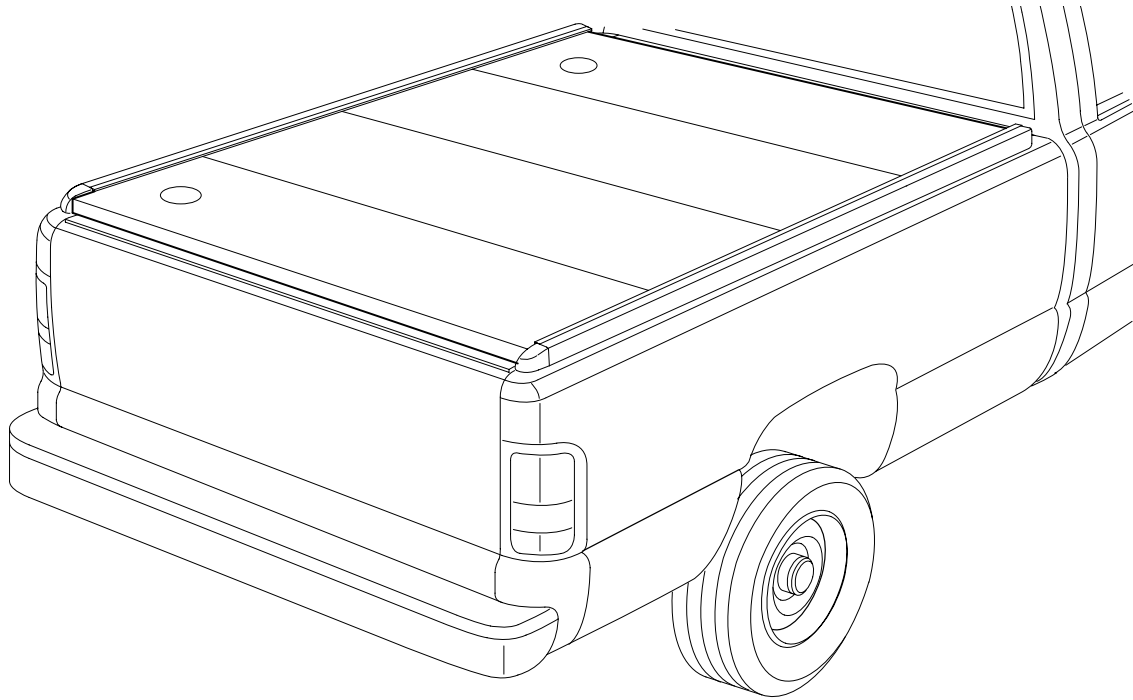
A Division of Steffens Enterprises, Inc.

4045 Karona Ct. • Caledonia, MI 49316

(616) 656-6886

Fax (616) 656-3771

HARD FOLDING TONNEAU COVER INSTALLATION INSTRUCTIONS - WITHOUT STAKE POCKETS.

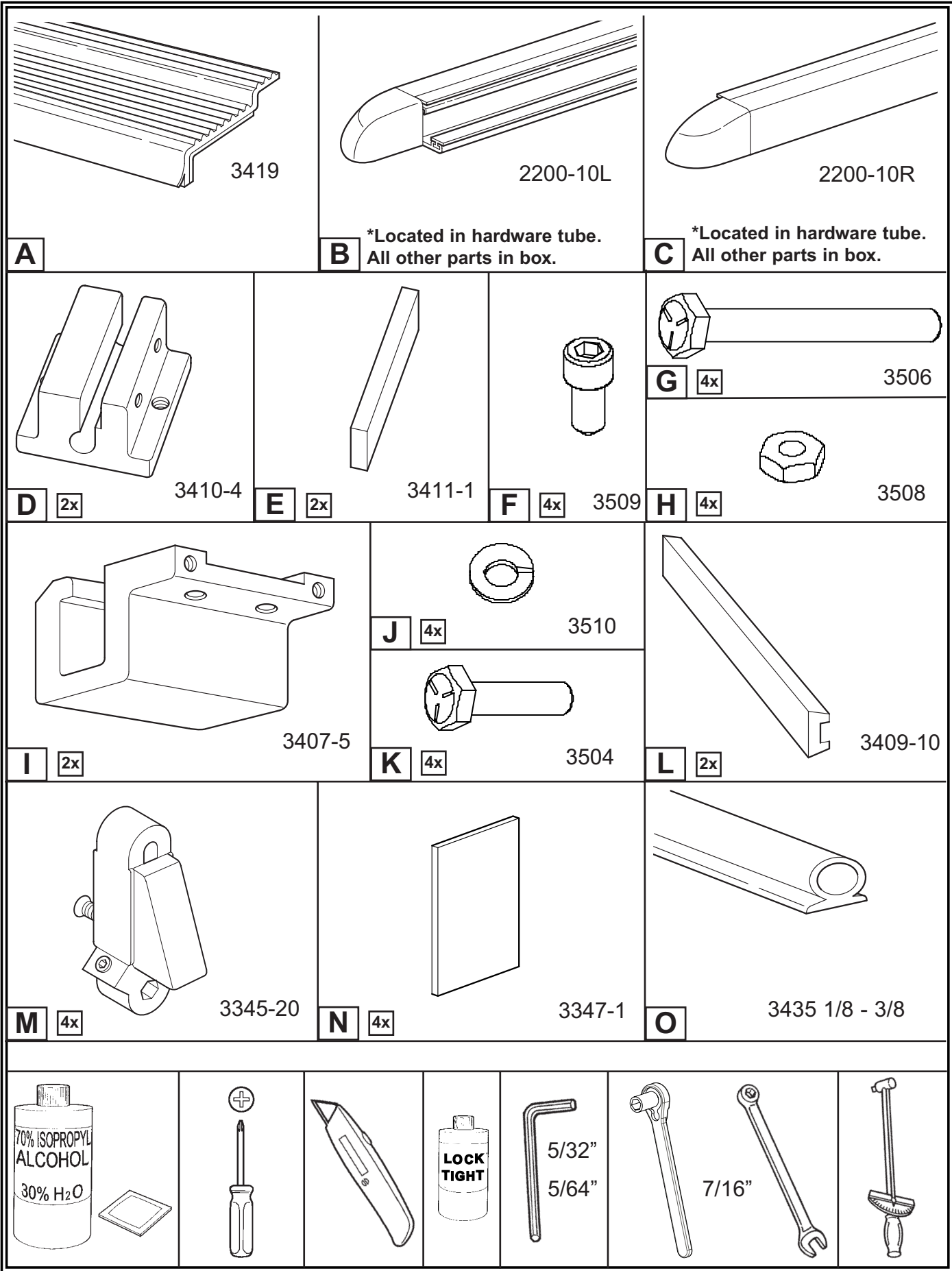


Notes to Installer:

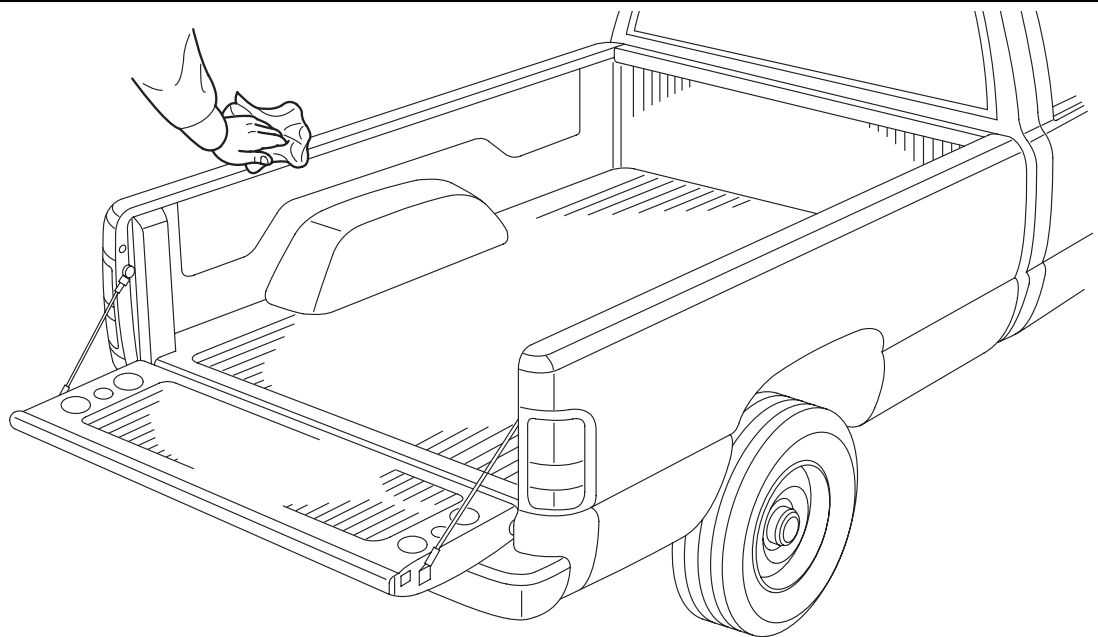
- Install Parts as shown on illustrations.
- Temperature should be no lower than 50° when installing.
- Be sure the truck is setting on a level surface.
- Apply a dab of lock tight to each fastener before use.
- Some trimming of bed liner may be required for proper fit and function.

Notes to customer:

- Record the key number and place in glove box or write it in your owner's manual.
- Refer to the Operation and Care Label located on the underside of the rearmost panel on cover (driver's side).

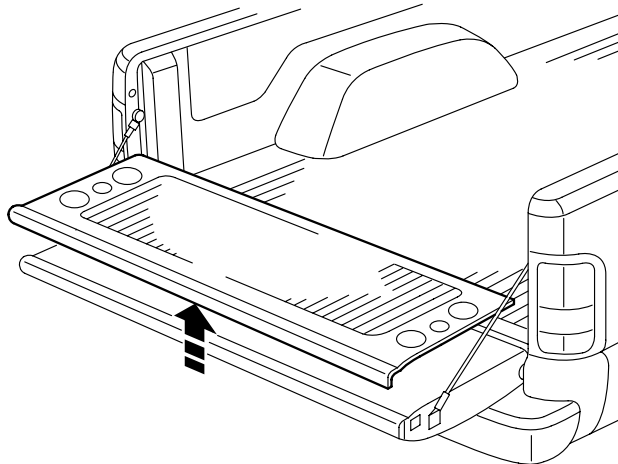


A	3419-70	Latch Strip
B	2200-10L	Driver Side Rail
C	2200-10R	Passenger Side Rail
D	3410-4	Hinge Bracket
E	3411-1	Hinge Bracket Shim
F	3509	#10-32 x 1/2 SHCS
G	3506	1/4-20 x 2 1/4 HHCS
H	3508	1/4-20 Jam Nut
I	3407-5	C-Clamp
J	3510	1/4" Lock Washer
K	3504	1/4-20 x 1 HHCS
L	3409-10	C-Clamp Shim
M	3345-20	Rod End and Catch Post
N	3347-1	Wear Tape
O	3435	D-Seal



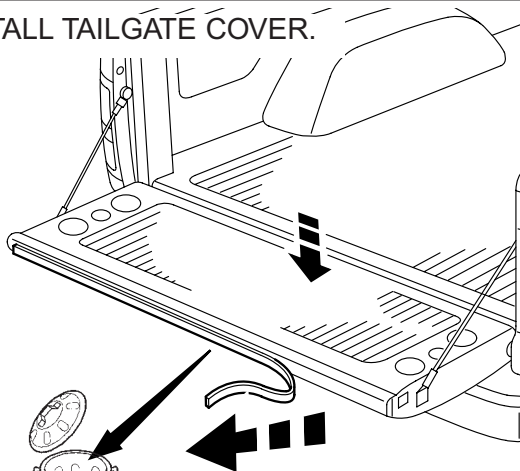
1

REMOVE TAILGATE COVER, IF EQUIPPED.



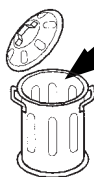
2

RE-INSTALL TAILGATE COVER.

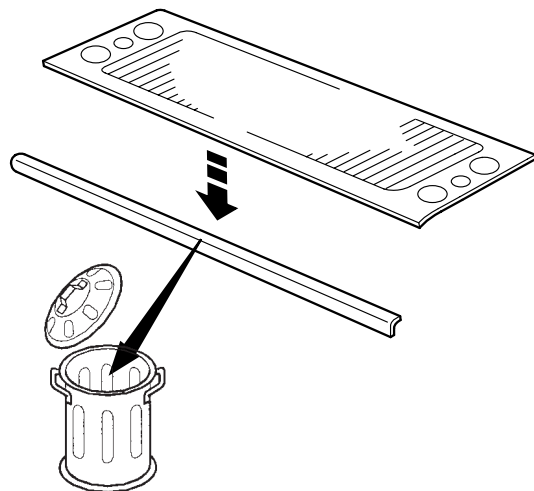


4

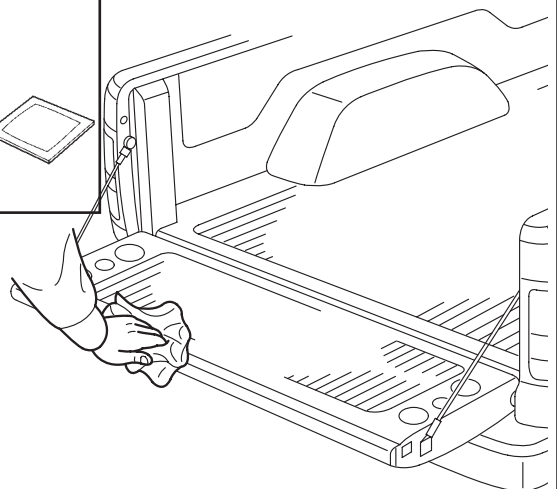
REMOVE TAILGATE WEAR STRIP, IF EQUIPPED.



TRIM AND SMOOTH TOP EDGE OF COVER.

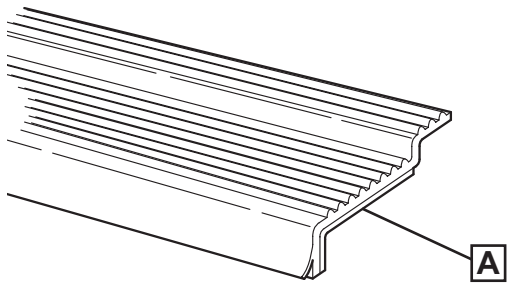


3



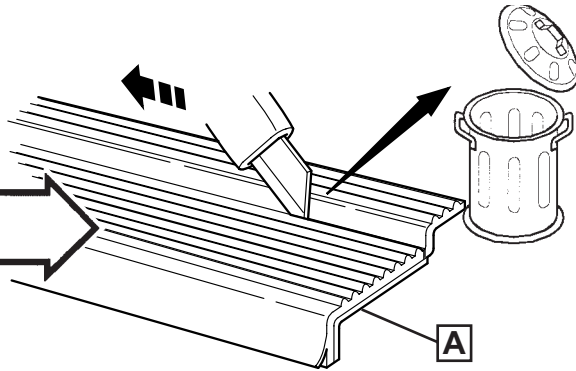
5

USE LATCH STRIP AS SHOWN FOR TRUCKS EQUIPPED WITH TAILGATE COVER.

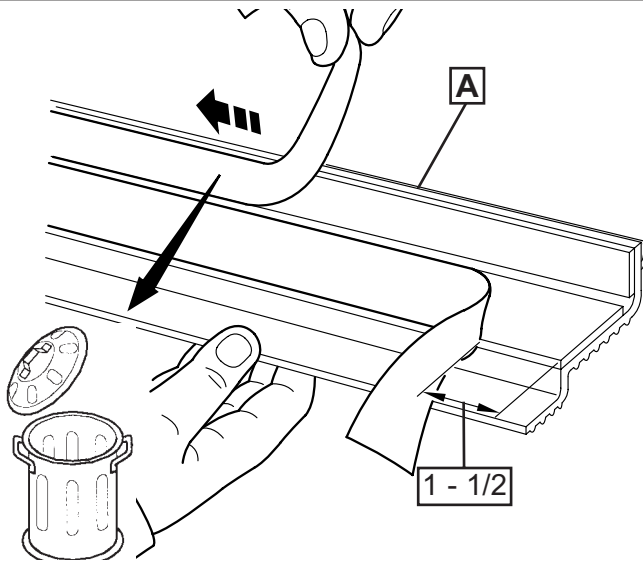


6

TRIM THE LATCH STRIP AS SHOWN FOR TRUCKS WITHOUT TAILGATE COVER.

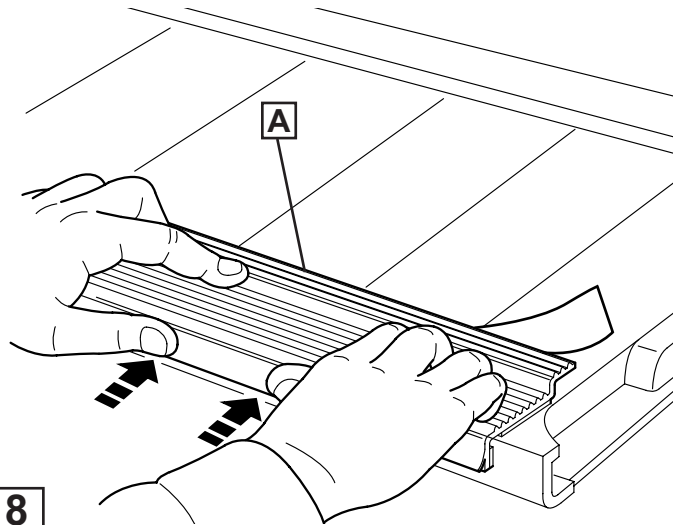


6A

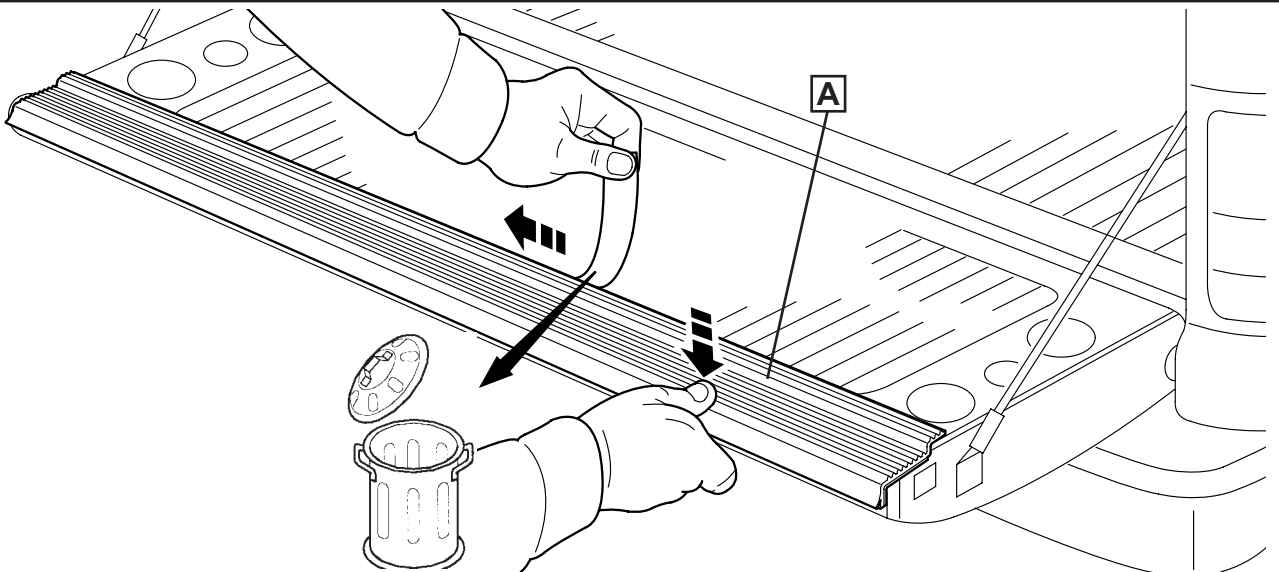


7

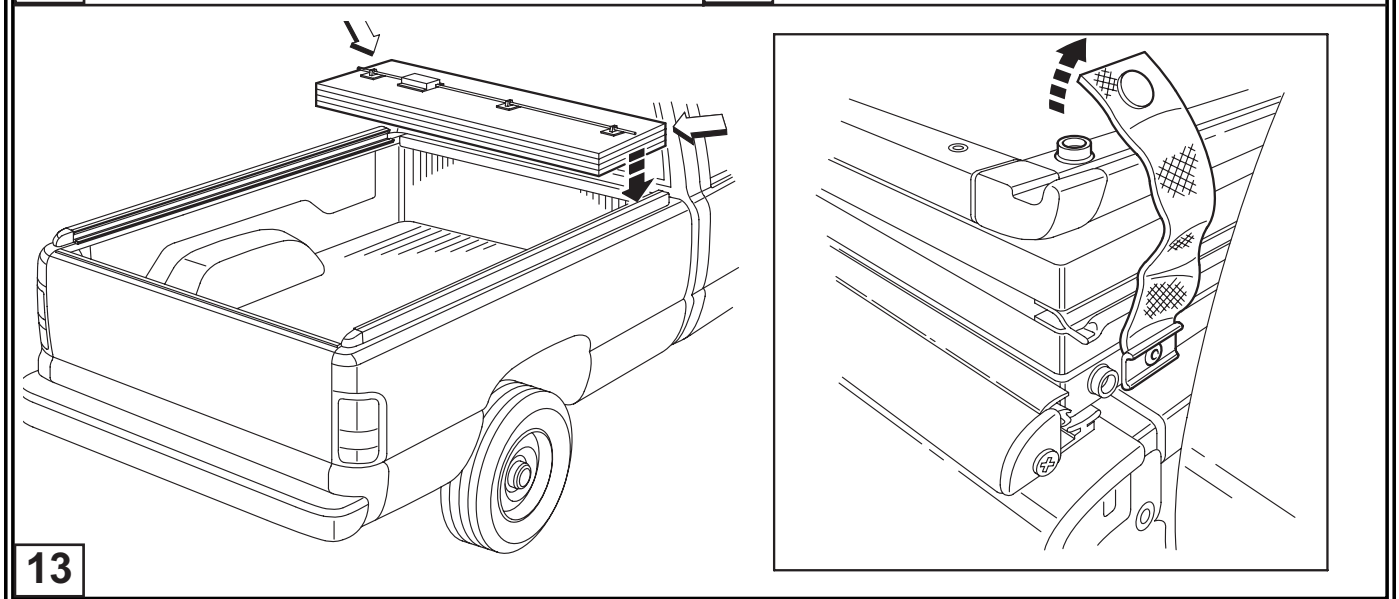
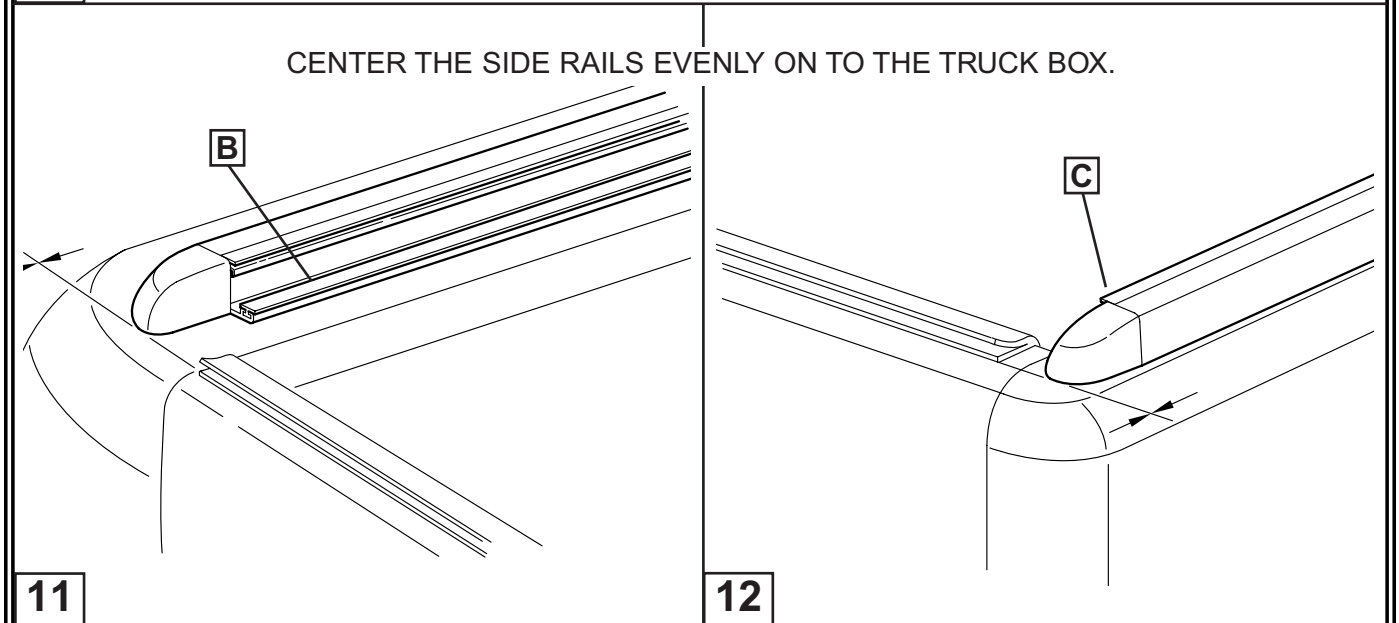
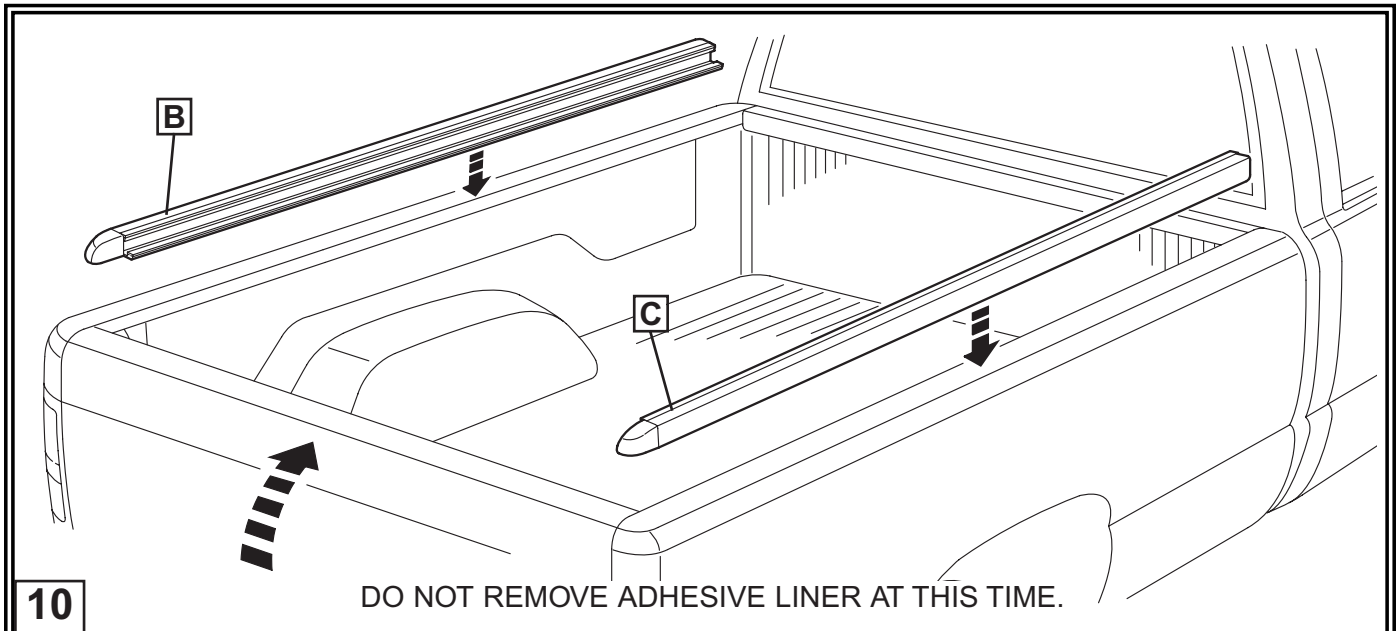
TRIM LATCH STRIP ENDS, IF NECESSARY, TO MATCH THE TAILGATE ENDS.

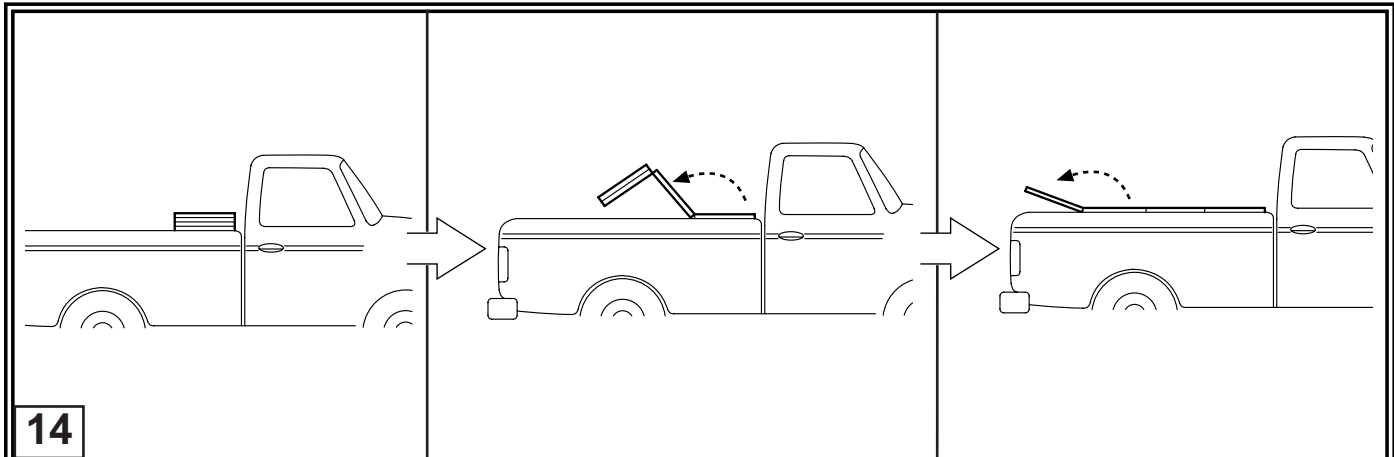


8



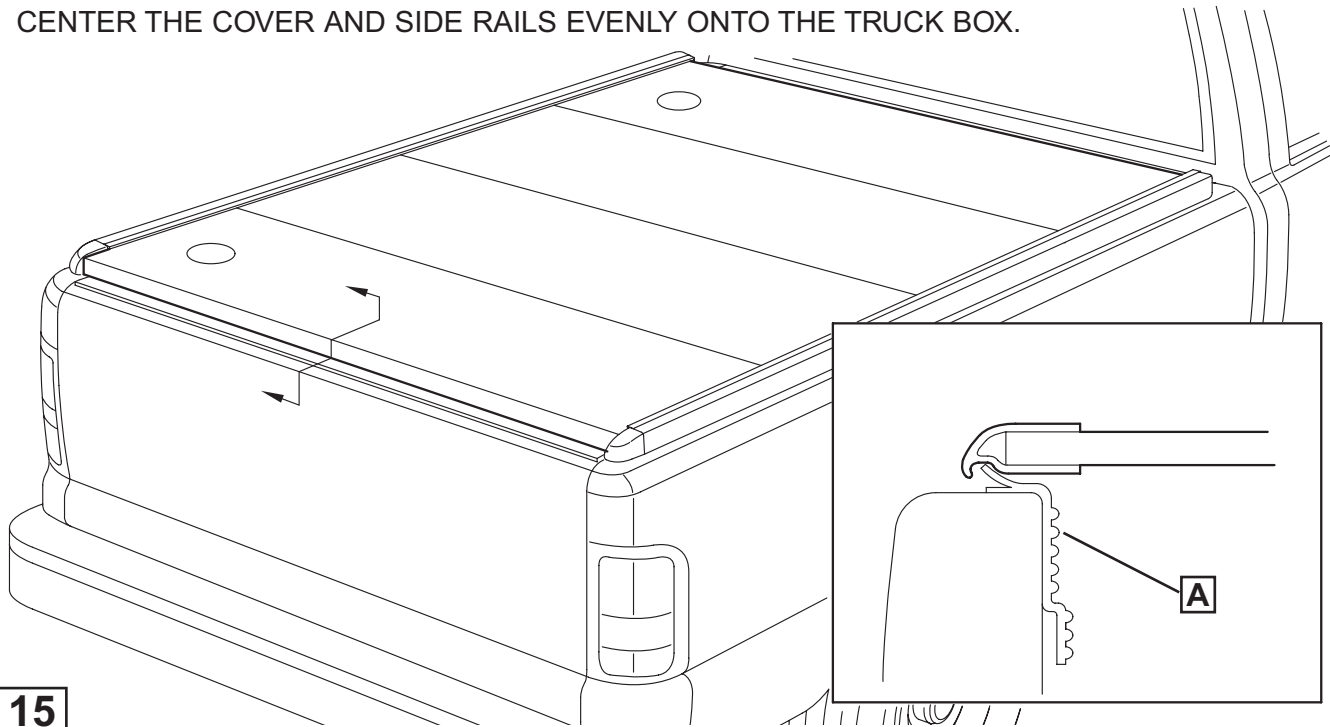
9



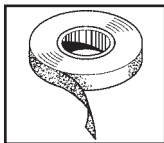


14

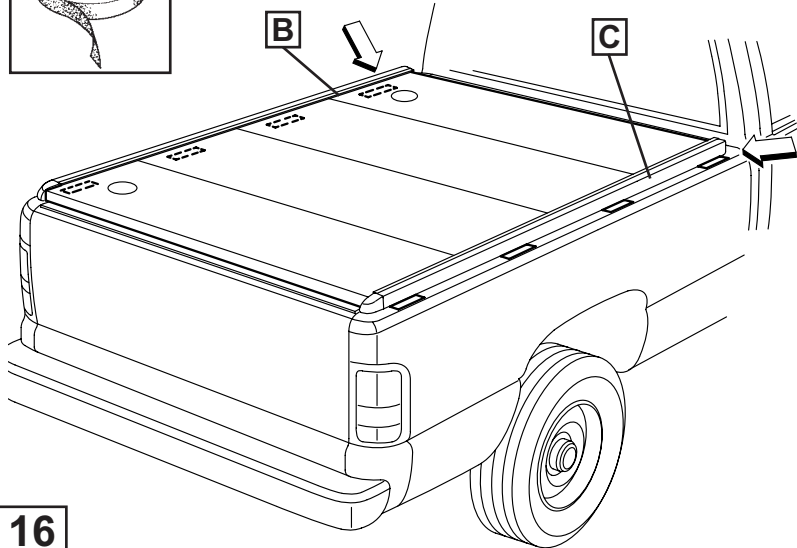
CENTER THE COVER AND SIDE RAILS EVENLY ONTO THE TRUCK BOX.



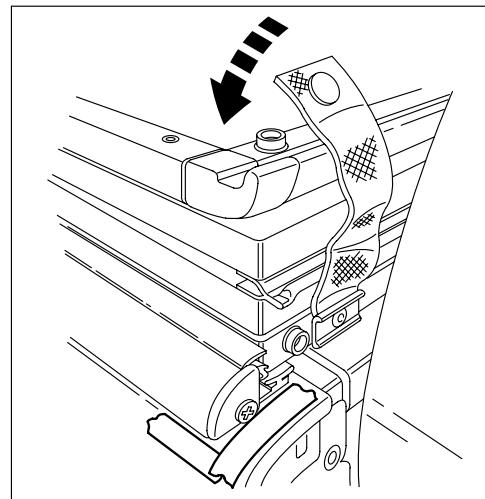
15



USING MASKING TAPE, CAREFULLY & ACCURATELY MARK THE LOCATION OF THE RAILS.

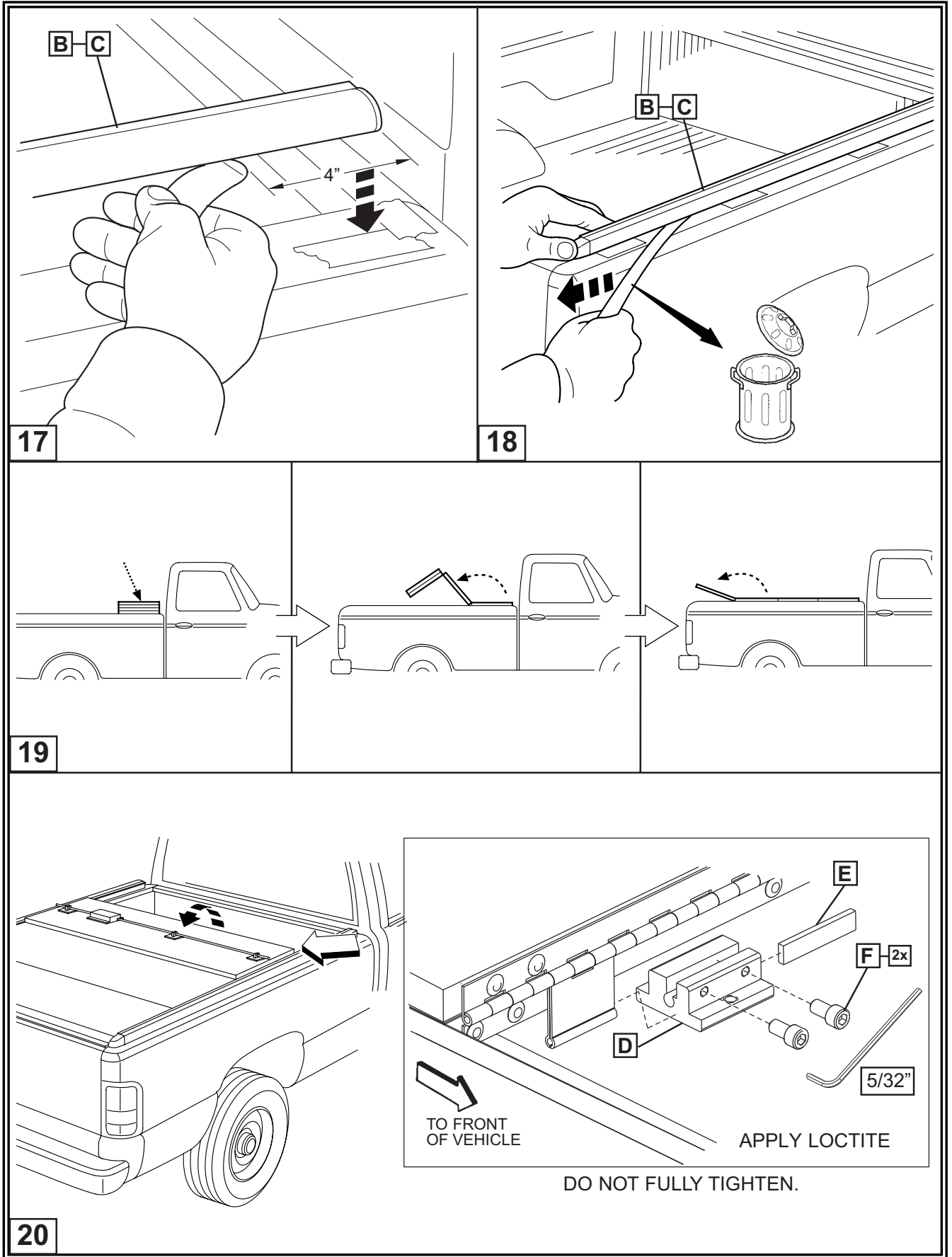


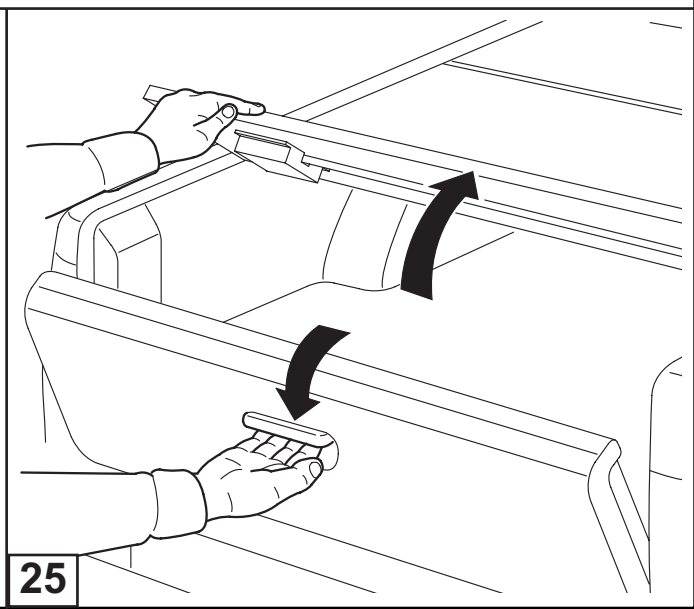
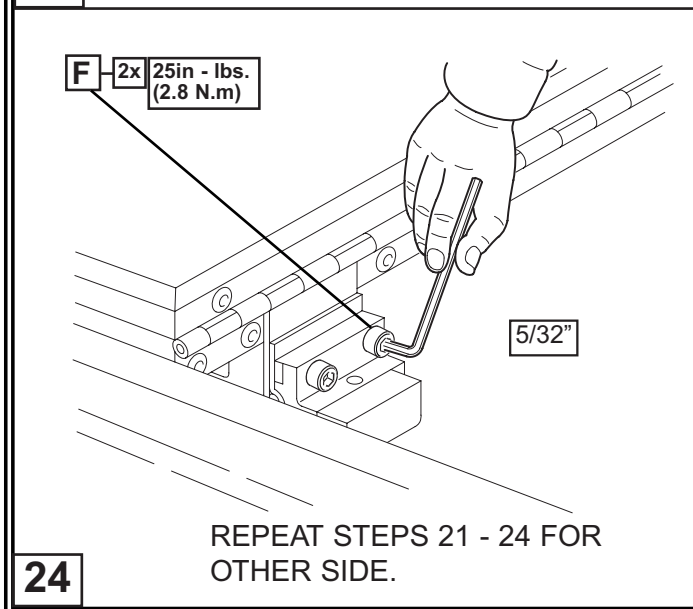
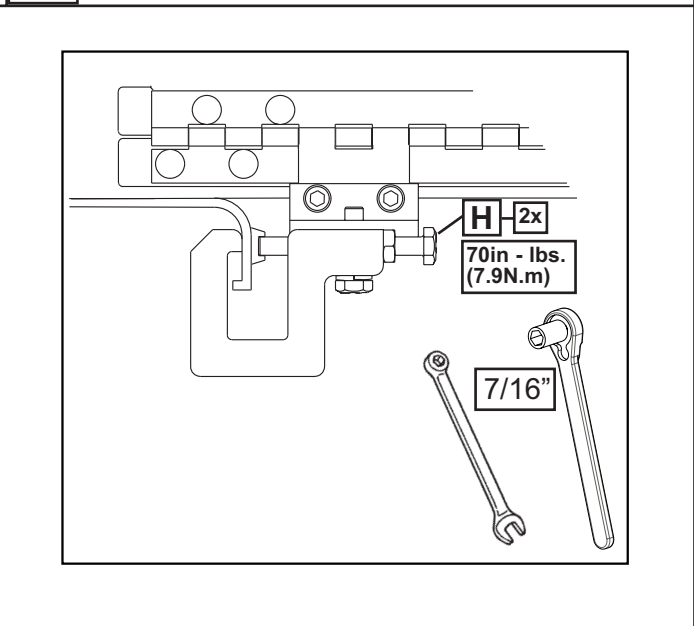
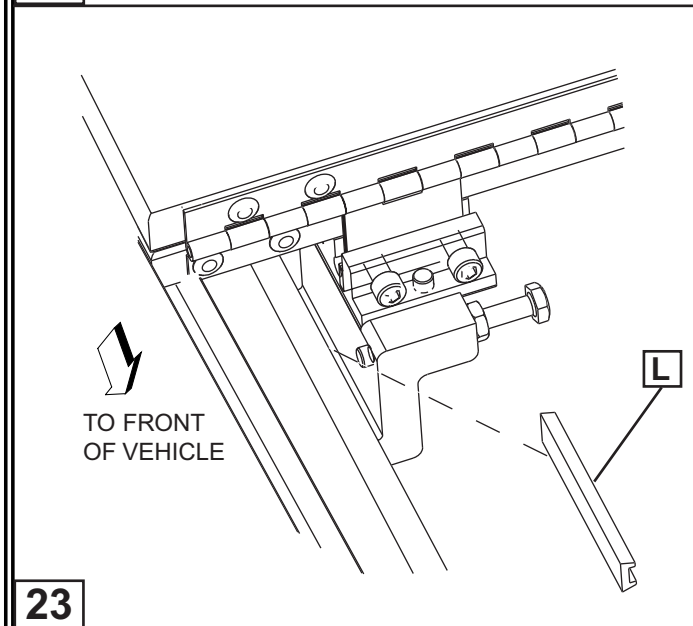
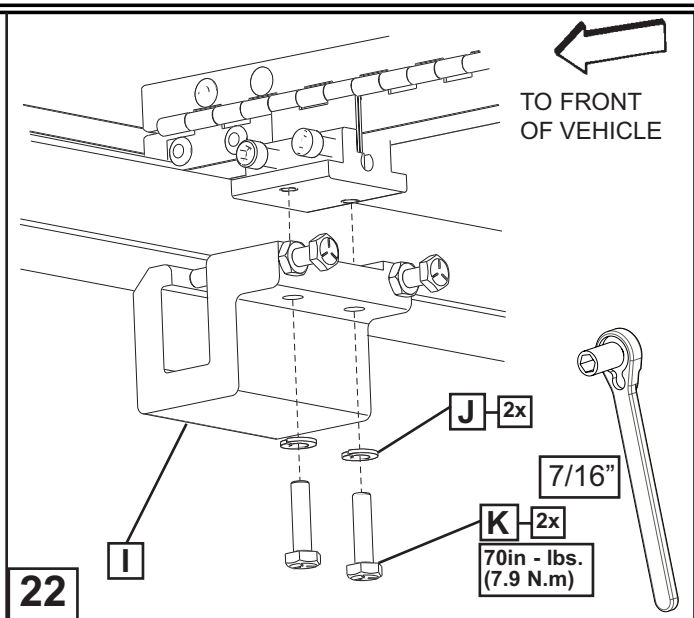
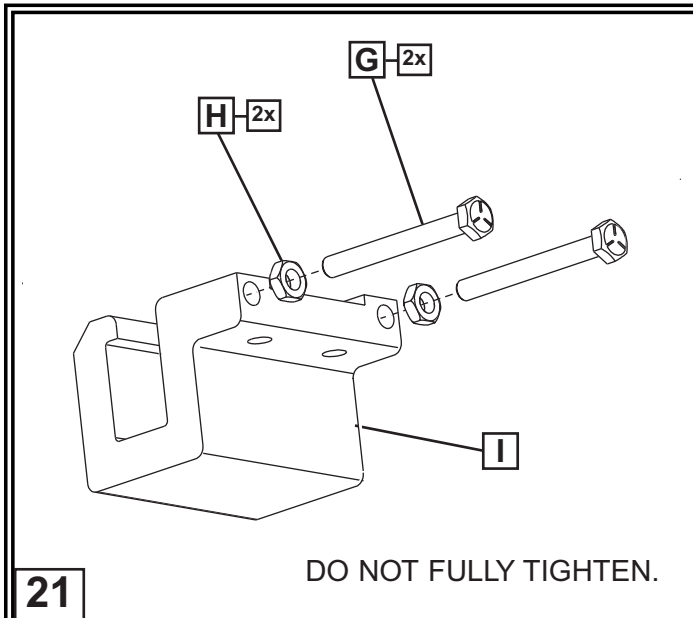
16

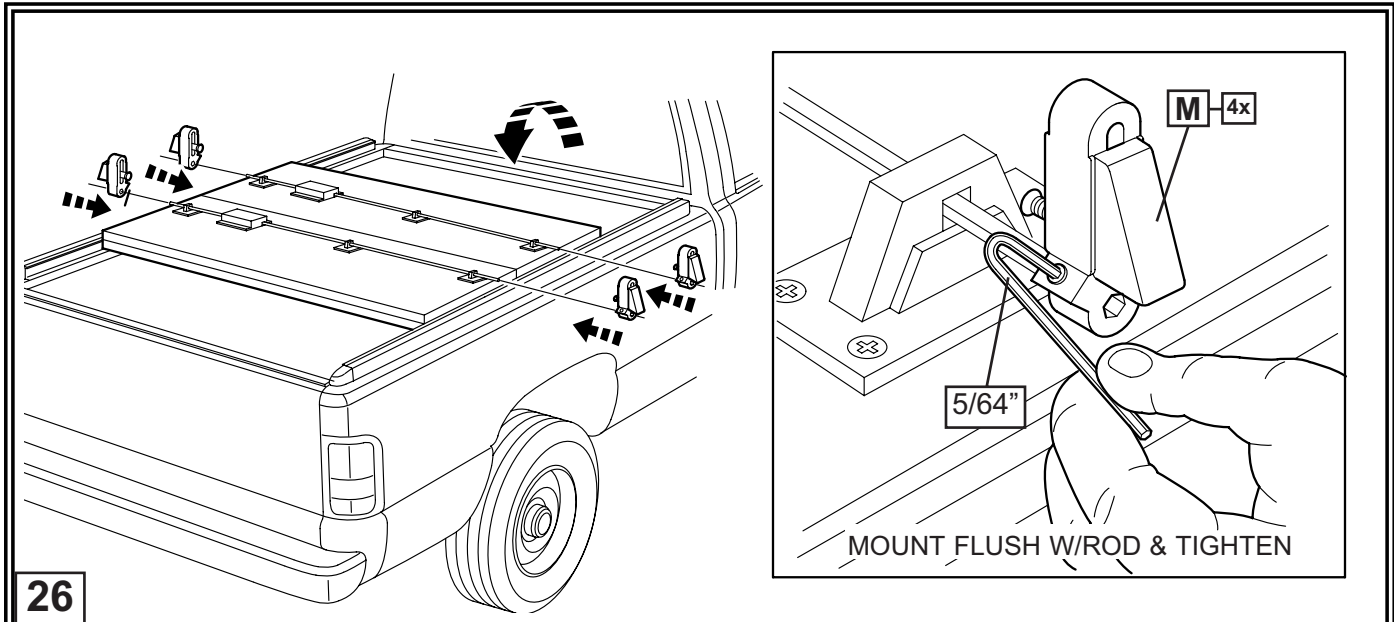


FOLD UP AND REMOVE THE COVER.

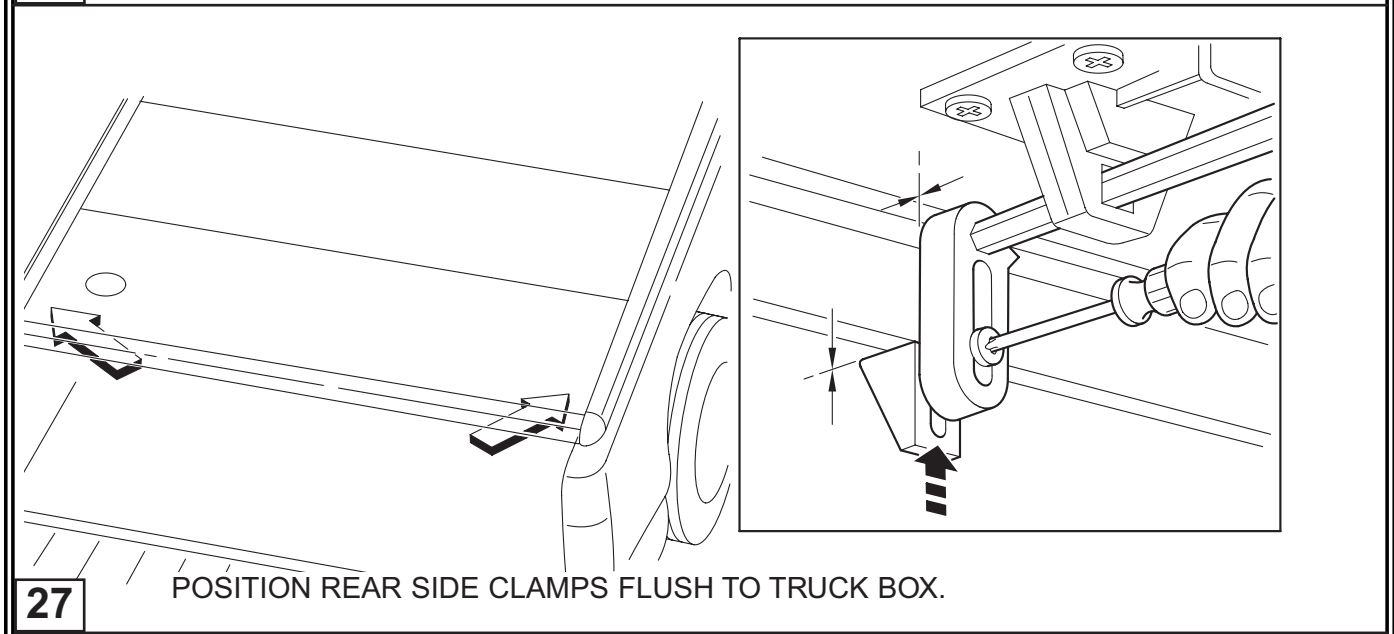
WARNING: RAILS WILL IMMEDIATELY STICK TO TRUCK SURFACE. USE CARE IN LOCATING PROPERLY.





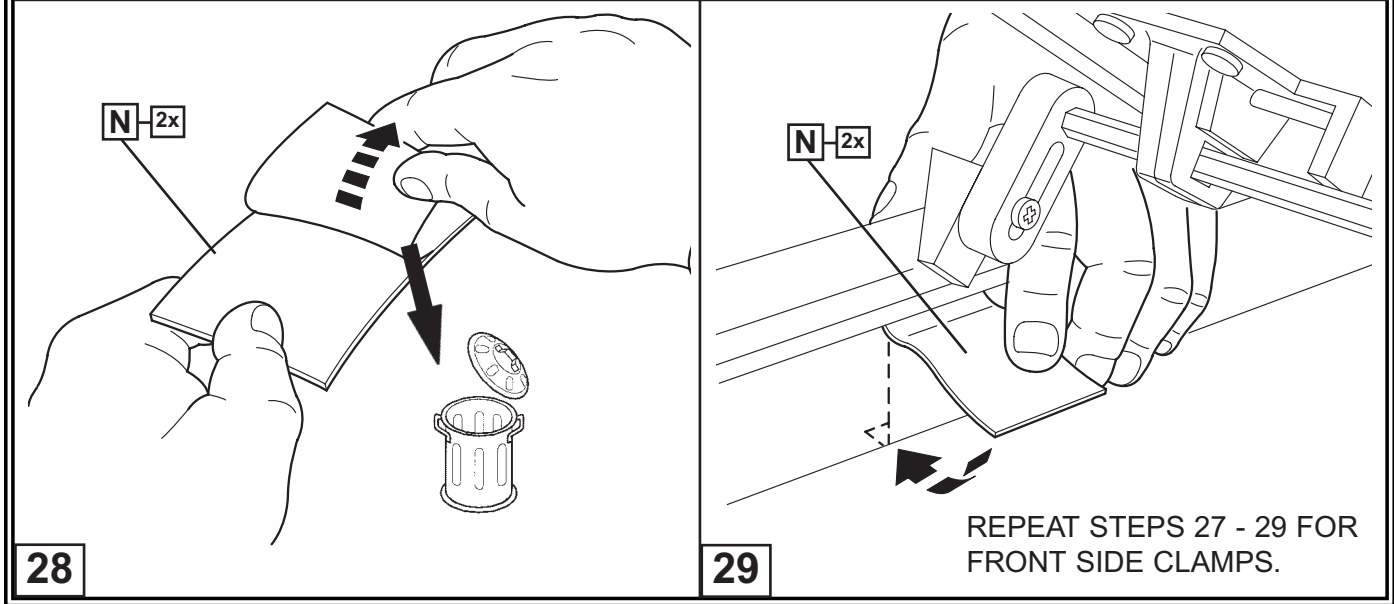


26



27

POSITION REAR SIDE CLAMPS FLUSH TO TRUCK BOX.



28

29

REPEAT STEPS 27 - 29 FOR FRONT SIDE CLAMPS.

