

Fold a Cover[®] / LS series

Built for your lifestyle

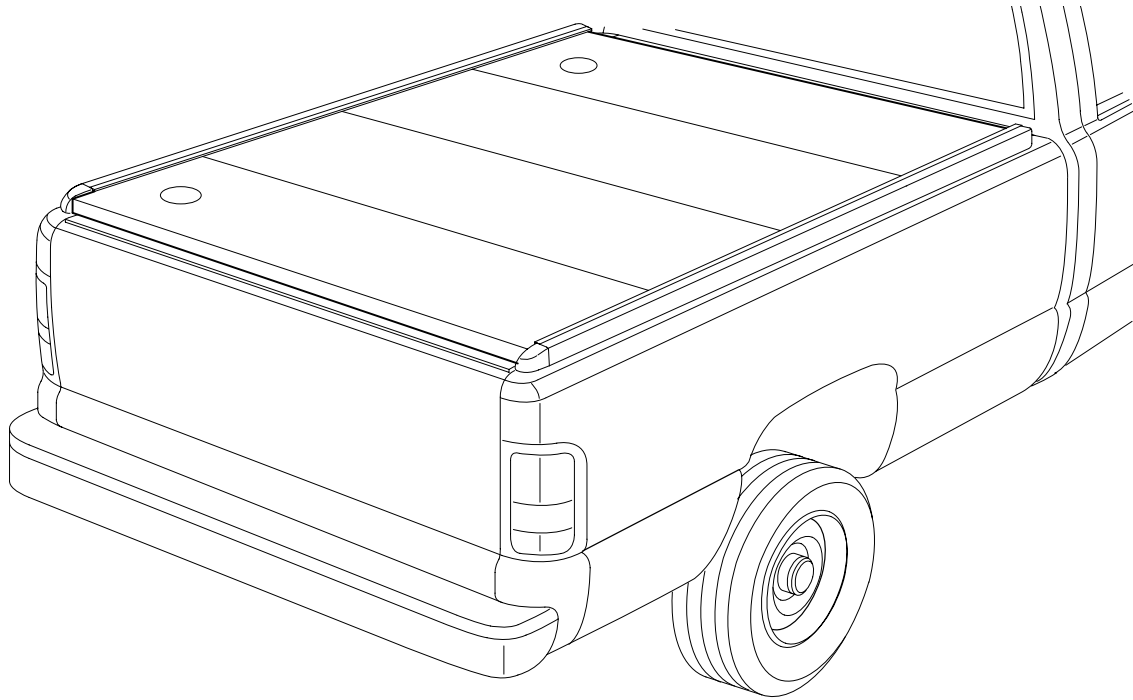
A Division of Steffens Enterprises, Inc.

4045 Karona Ct. • Caledonia, MI 49316

(616) 656-6886

Fax (616) 656-3771

HARD FOLDING TONNEAU COVER INSTALLATION INSTRUCTIONS - WITHOUT STAKE POCKETS.

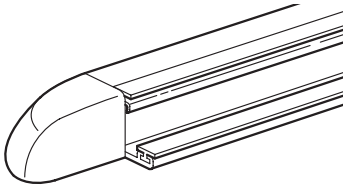
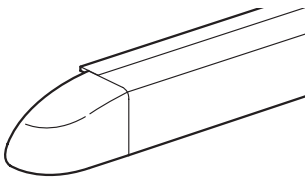
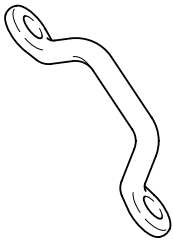
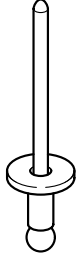
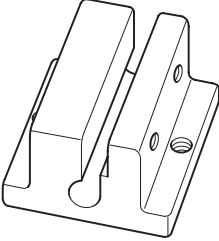


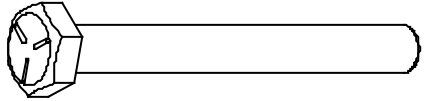

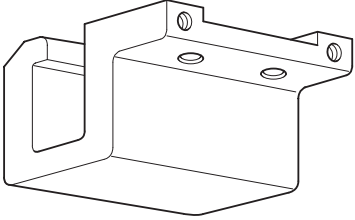
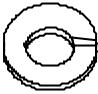
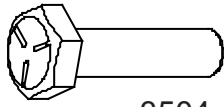
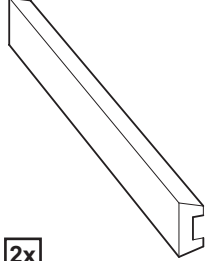
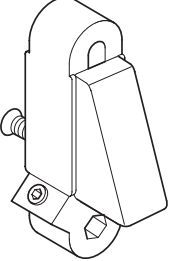

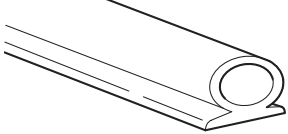
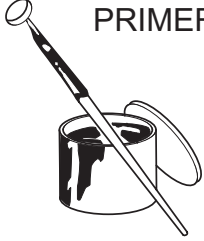

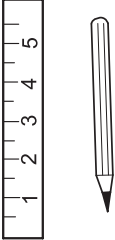
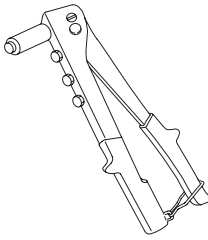

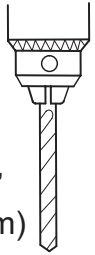
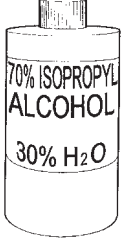

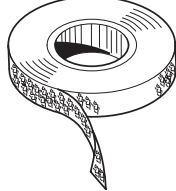
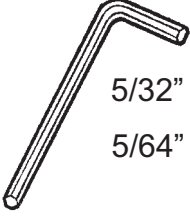
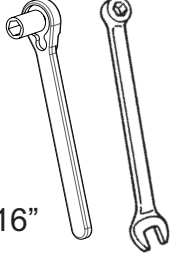
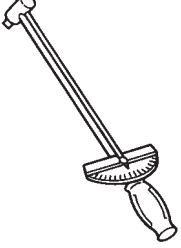


Notes to Installer:

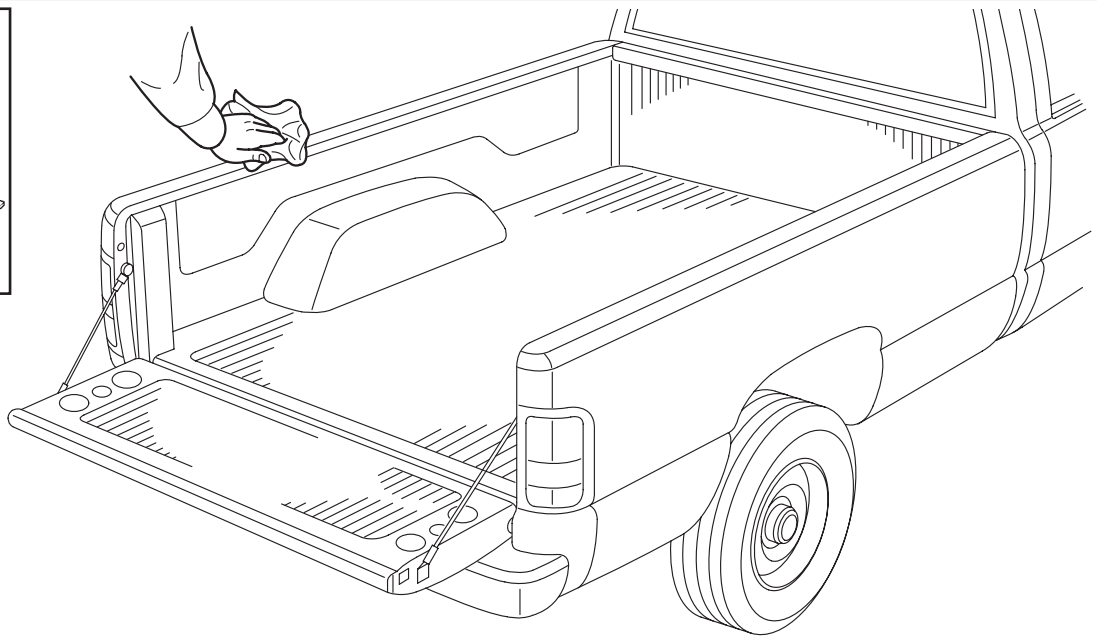
- Install Parts as shown on illustrations.
- Temperature should be no lower than 50° when installing.
- Be sure the truck is setting on a level surface.
- Apply a dab of lock tight to each fastener before use.
- Some trimming of bed liner may be required for proper fit and function.

Notes to customer:

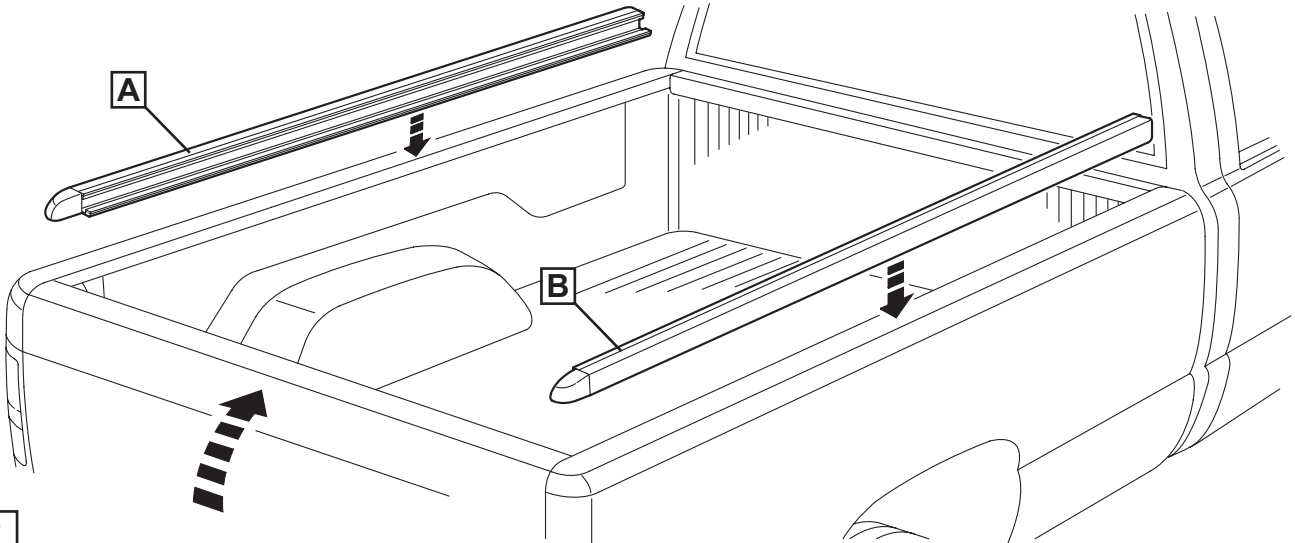
- Record the key number and place in glove box or write it in your owner's manual.
- Refer to the Operation and Care Label located on the underside of the rearmost panel on cover (driver's side).

 <p>*Located in hardware tube. All other parts in box.</p>	 <p>*Located in hardware tube. All other parts in box.</p>				
<p>A 2200-10L</p> 	<p>B 2200-10R</p> 	<p>C 2070</p> 	<p>D 2x 2069</p>  <p>H 4x 3506</p> 		
<p>E 2x 3410-4</p>	<p>F 2x 3411-1</p>	<p>G 4x 3509</p>	<p>I 4x 3508</p>		
<p>J 2x 3407-5</p> 	<p>K 4x 3510</p>  <p>L 4x 3504</p> 	<p>M 2x 3409-10</p> 			
<p>N 4x 3345-20</p> 	<p>O 4x 3347-1</p> 	<p>P 3435 1/8 - 3/8</p> 			
<p>PRIMER</p> 					<p>3/16" (4.7mm)</p> 
 <p>70% ISOPROPYL ALCOHOL 30% H₂O</p>			<p>5/32" 5/64"</p> 	<p>7/16"</p> 	

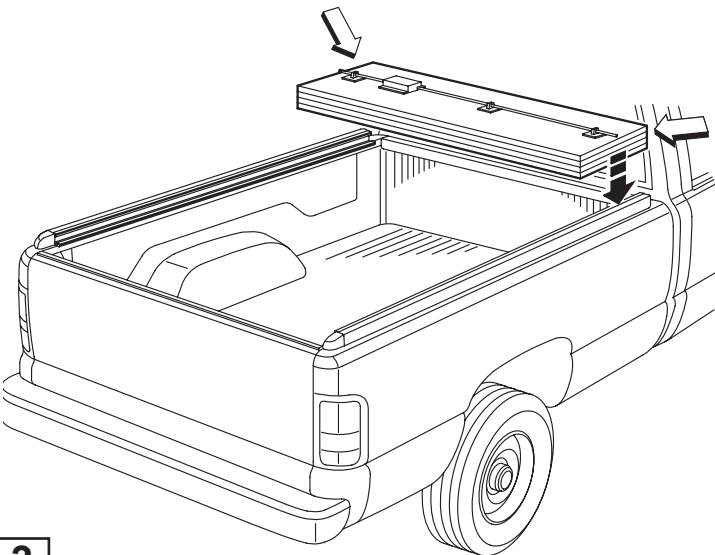
A	2200-10L	Driver Side Rail
B	2200-10R	Passenger Side Rail
C	2070	Footman's Loop
D	2069	3/16" Pop Rivet S/S
E	3410-4	Hinge Bracket
F	3411-1	Hinge Bracket Shim
G	3509	#10-32 x 1/2 SHCS
H	3506	1/4-20 x 2 1/4 HHCS
I	3508	1/4-20 Jam Nut
J	3407-5	C-Clamp
K	3510	1/4" Lock Washer
L	3504	1/4-20 x 1 HHCS
M	3409-10	C-Clamp Shim
N	3345-20	Rod End and Catch Post
O	3347-1	Wear Tape
P	3435	D-Seal



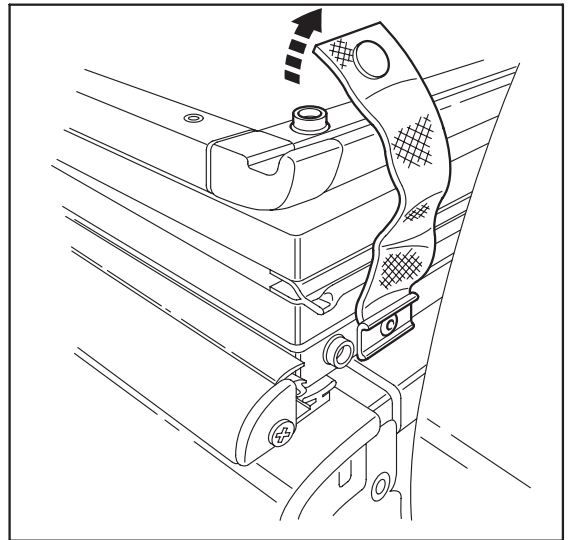
1

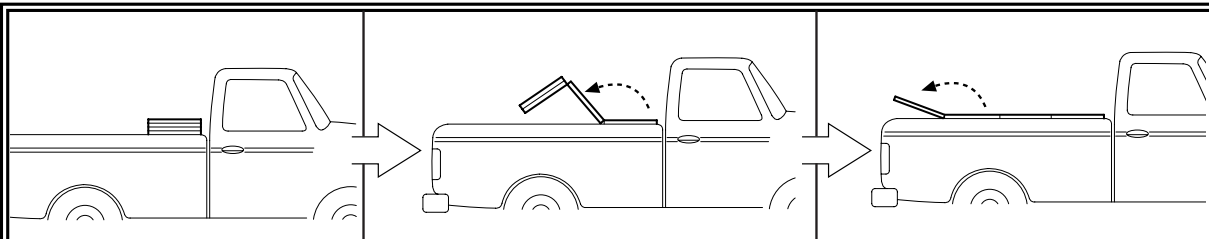


2

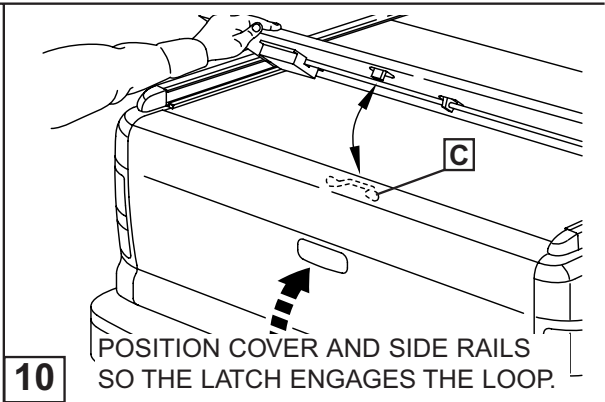
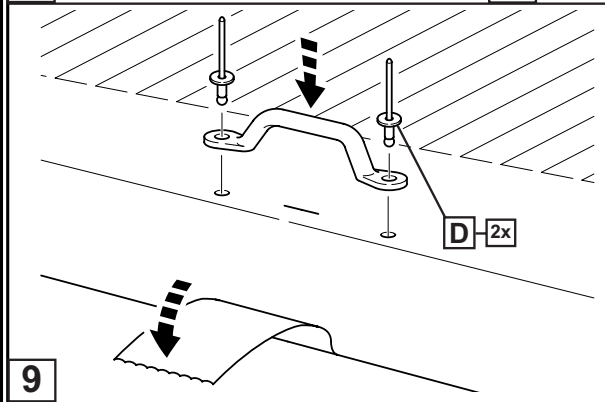
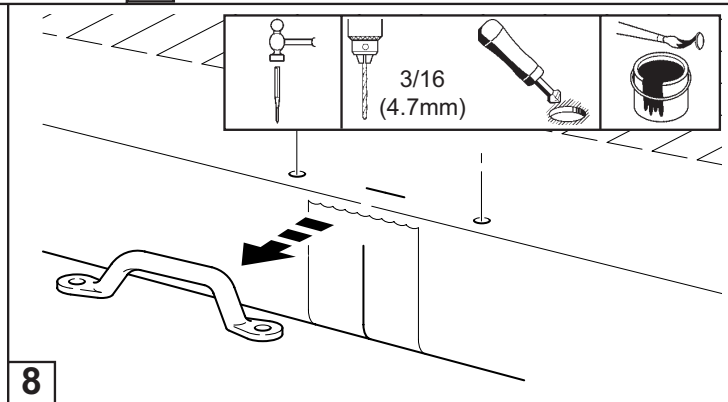
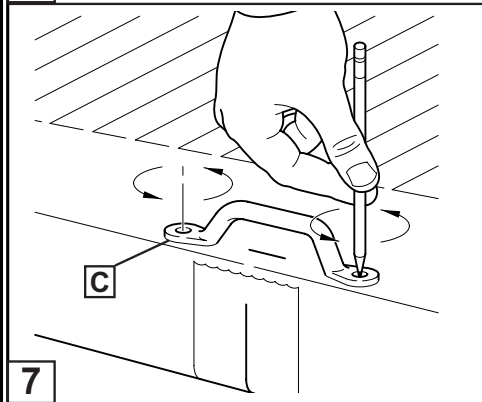
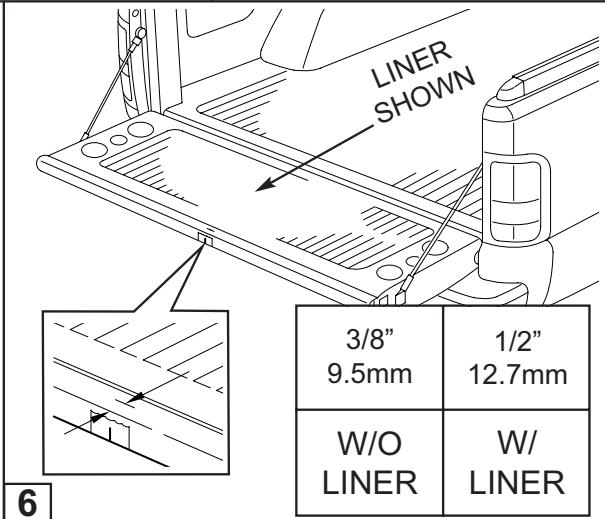
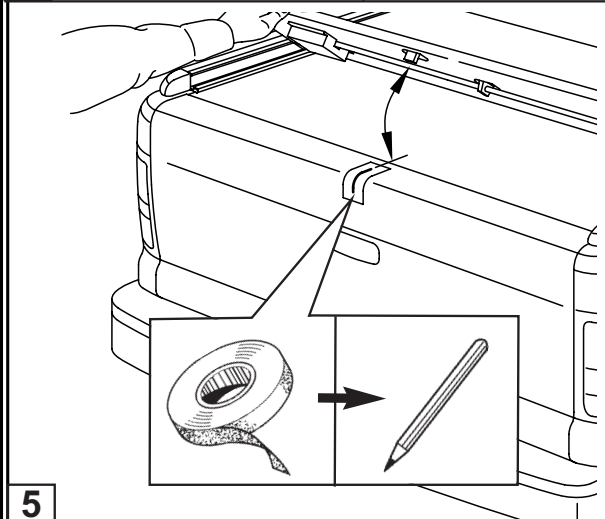


3





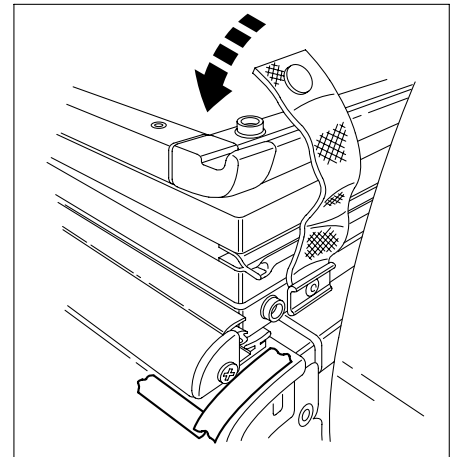
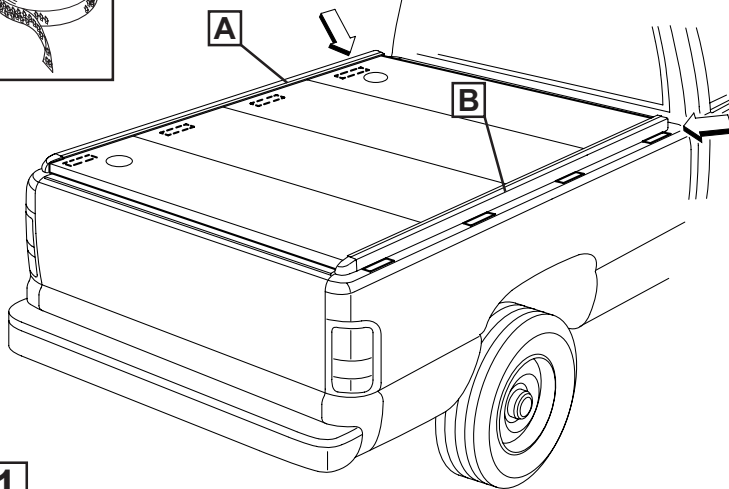
4 CENTER THE COVER AND SIDE RAILS EVENLY ONTO THE TRUCK BOX.



10 POSITION COVER AND SIDE RAILS SO THE LATCH ENGAGES THE LOOP.



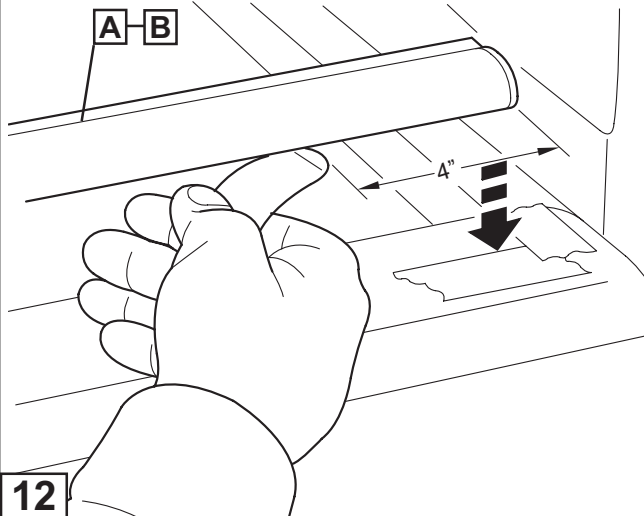
USING MASKING TAPE, CAREFULLY & ACCURATELY MARK THE LOCATION OF THE RAILS.



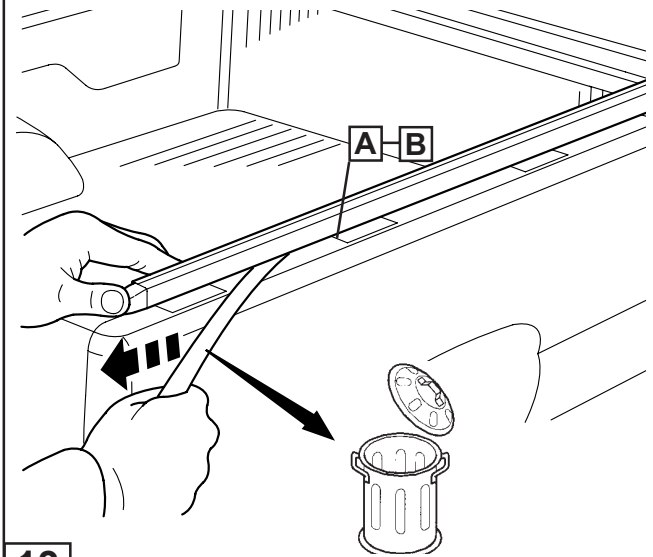
FOLD UP AND REMOVE COVER.

11

WARNING: RAILS WILL IMMEDIATELY STICK TO TRUCK SURFACE. USE CARE IN LOCATING PROPERLY.



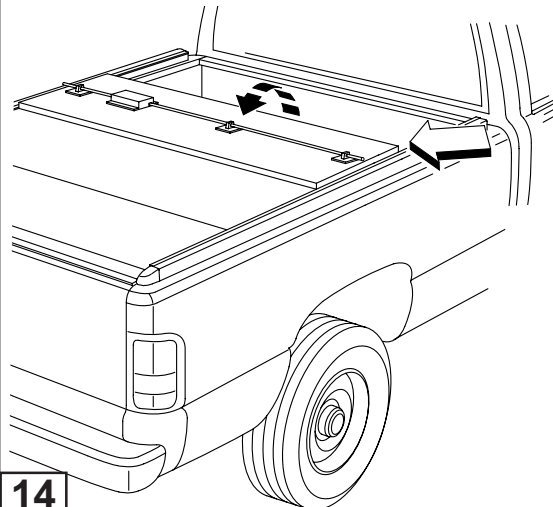
12



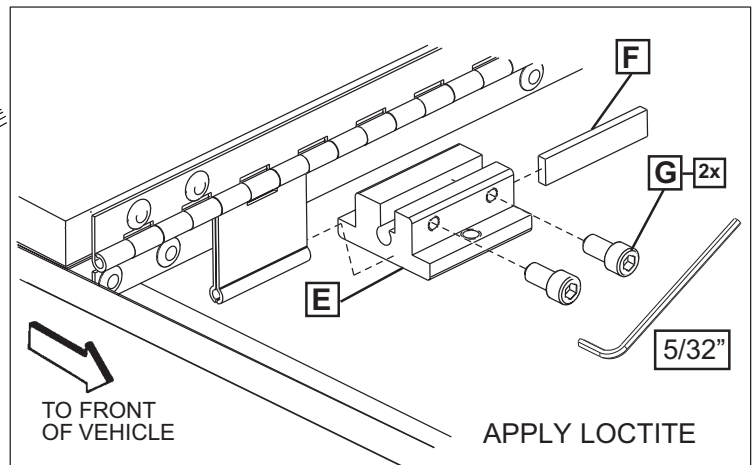
13

REMOVE MASKING TAPE.

RE-INSTALL COVER ONTO TRUCK.



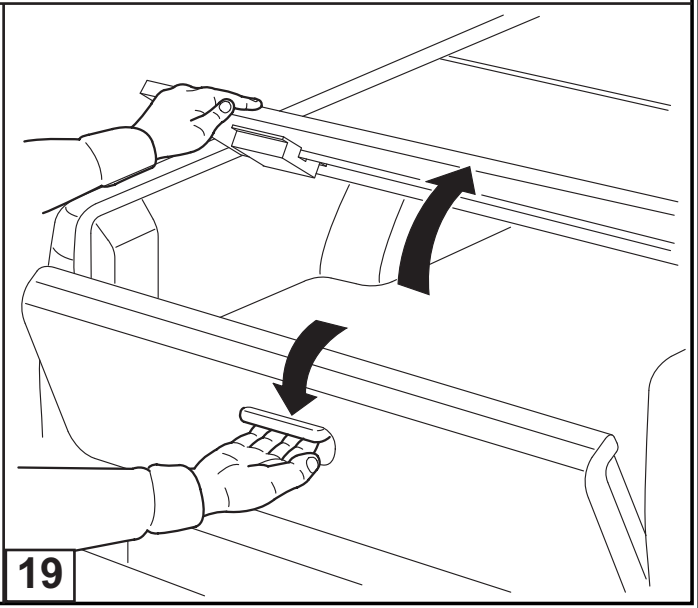
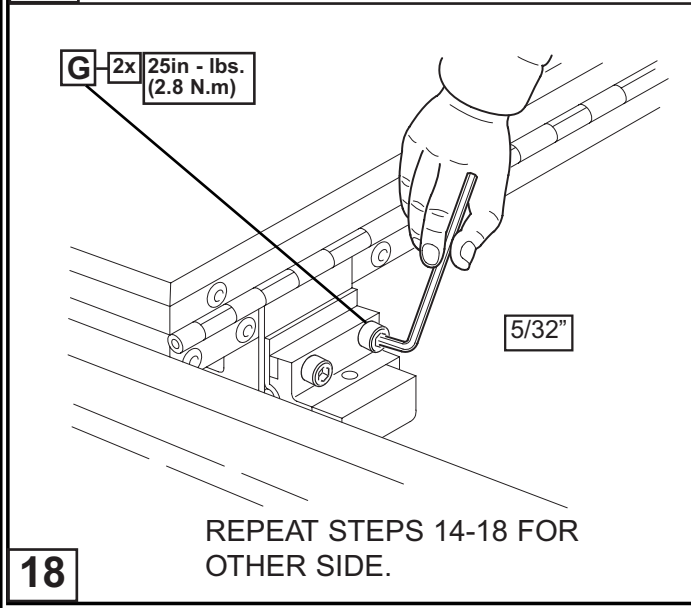
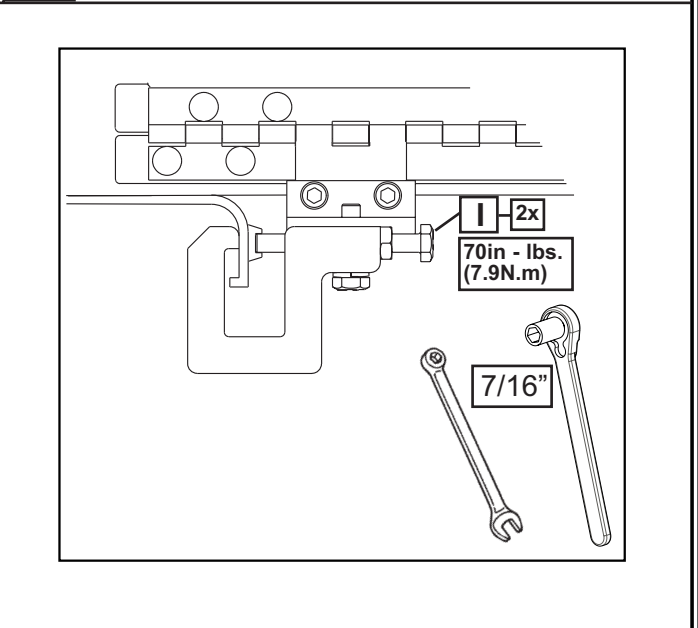
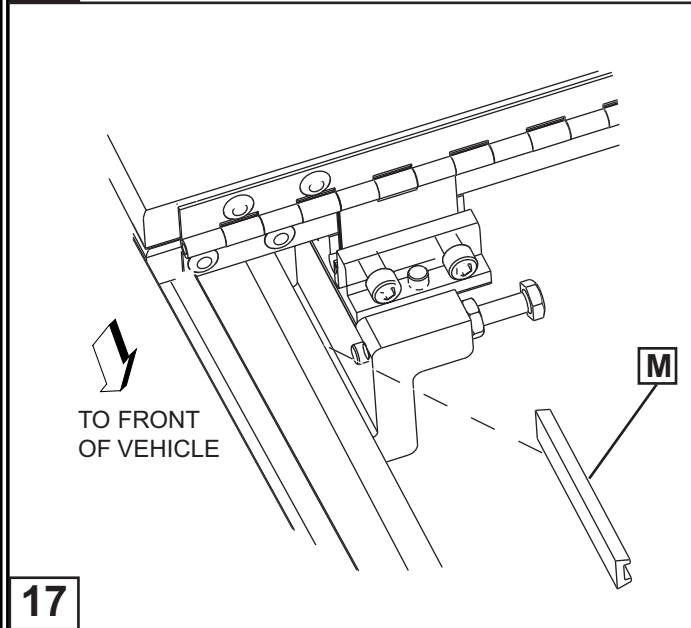
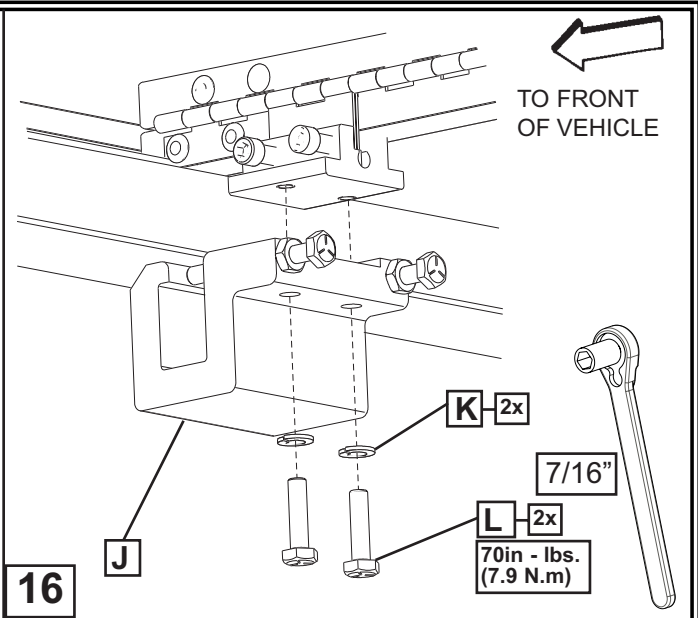
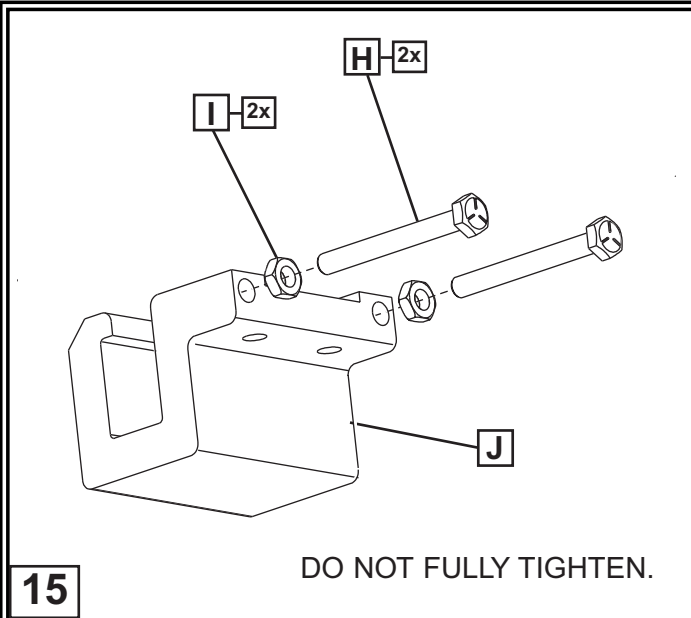
14

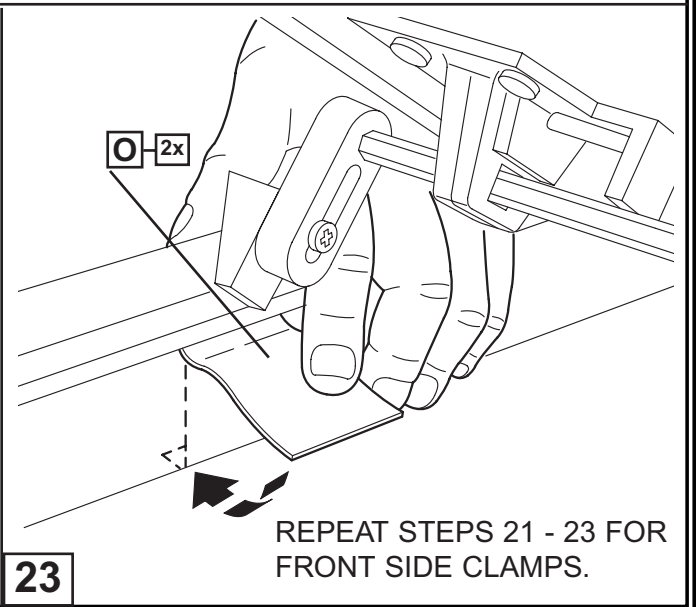
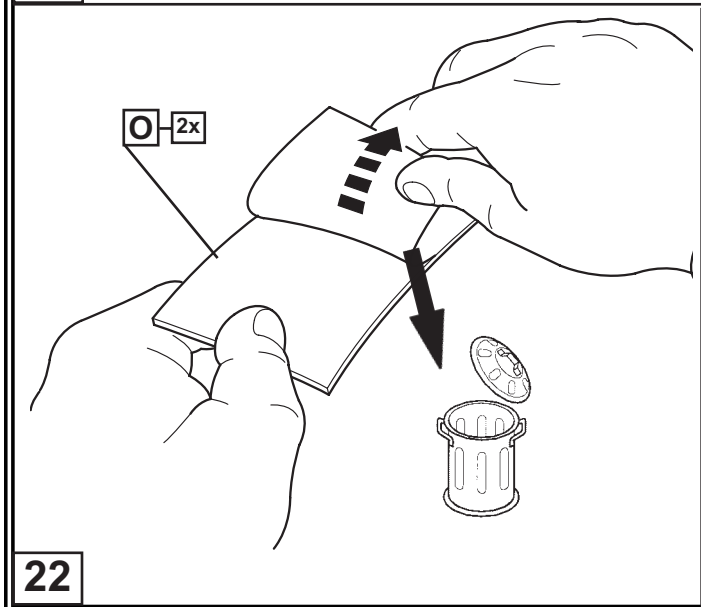
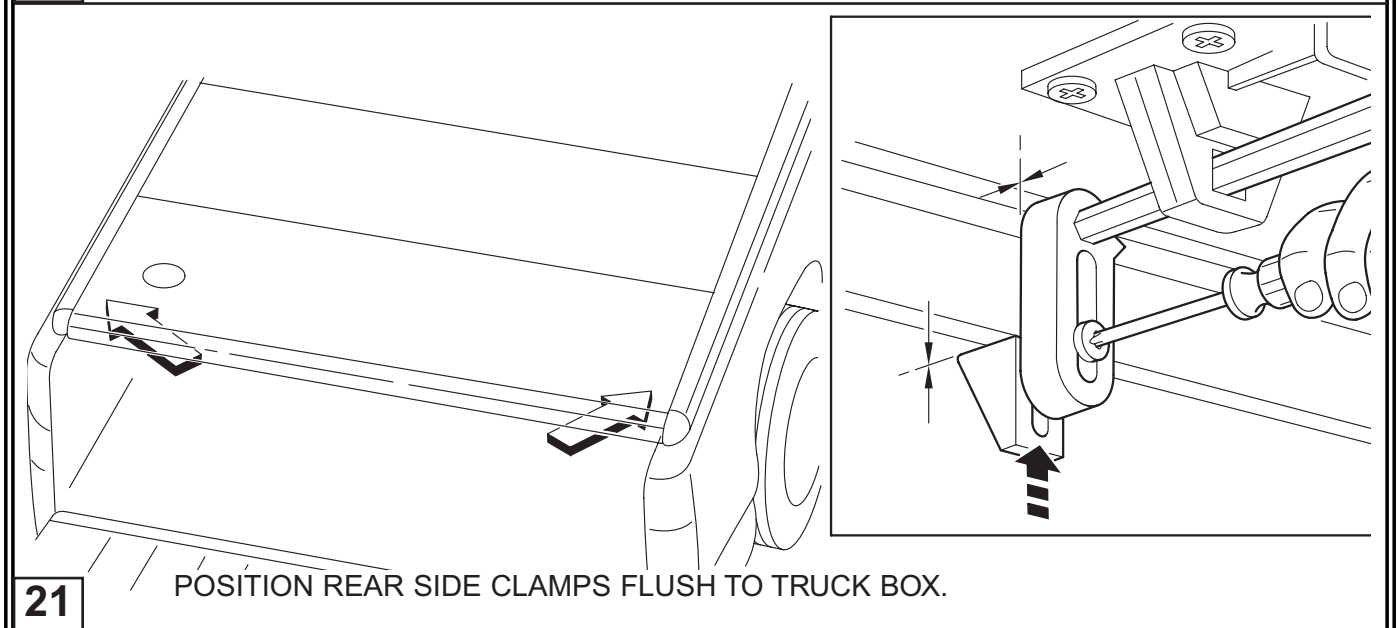
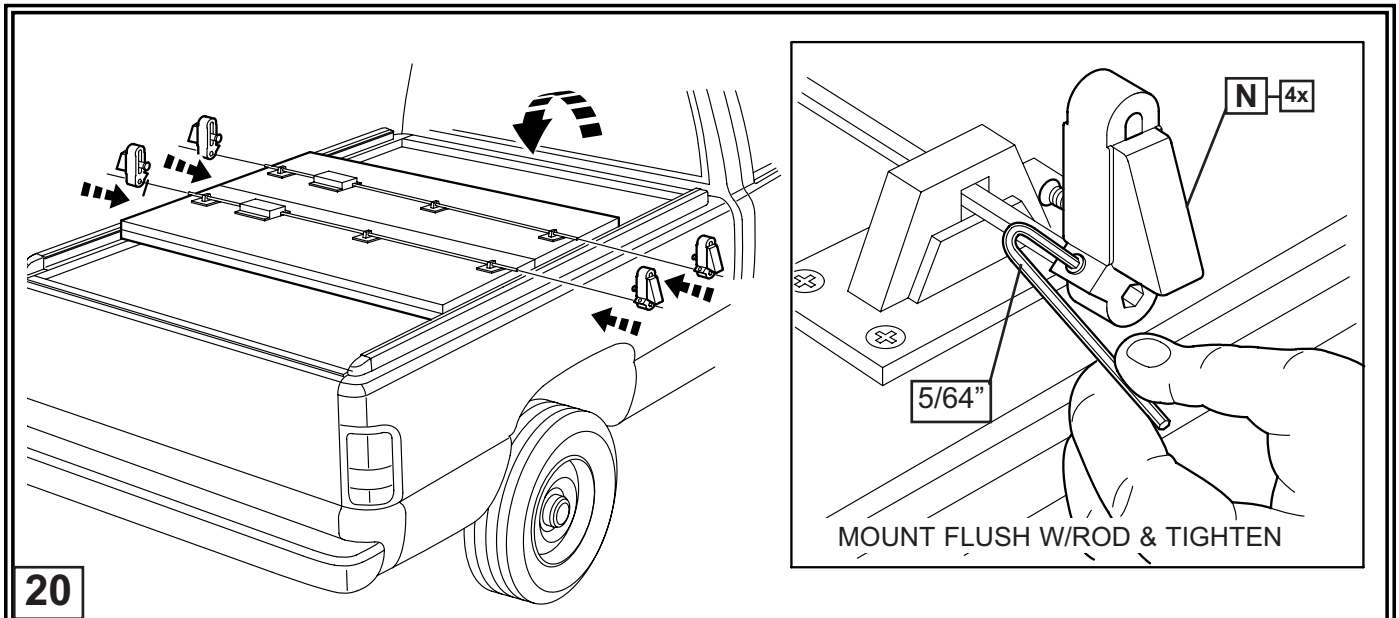


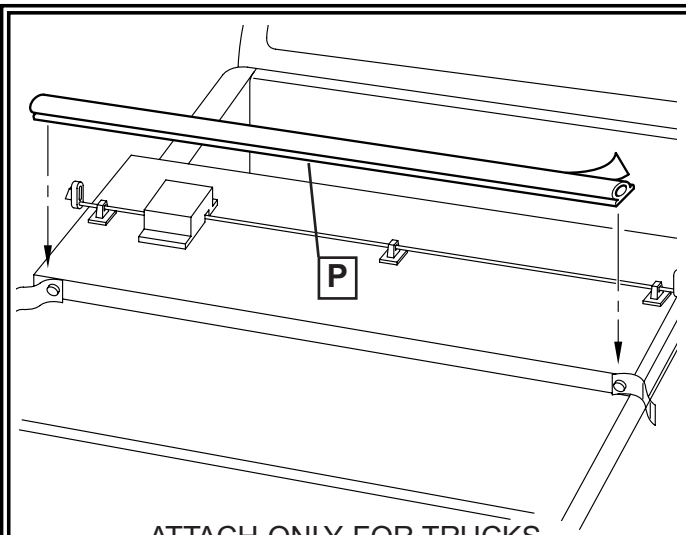
TO FRONT OF VEHICLE

APPLY LOCTITE

DO NOT FULLY TIGHTEN.

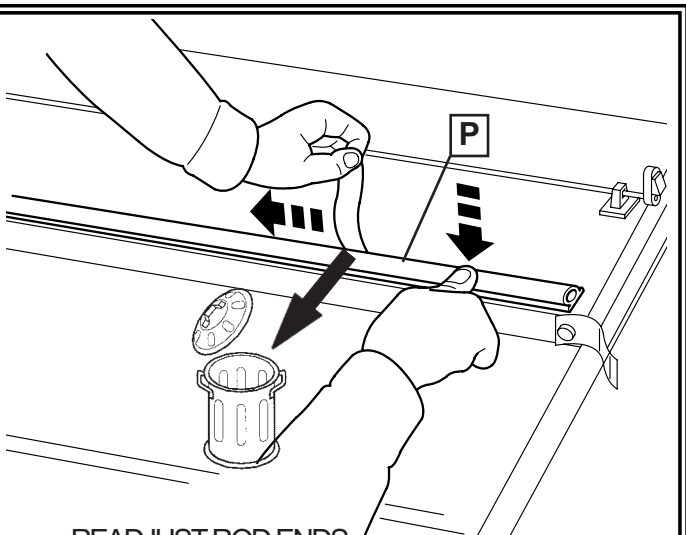






24

ATTACH ONLY FOR TRUCKS
WITHOUT BEDLINER.



25

READJUST ROD ENDS
AS NECESSARY