

Fold a Cover® / LS series

Built for your lifestyle

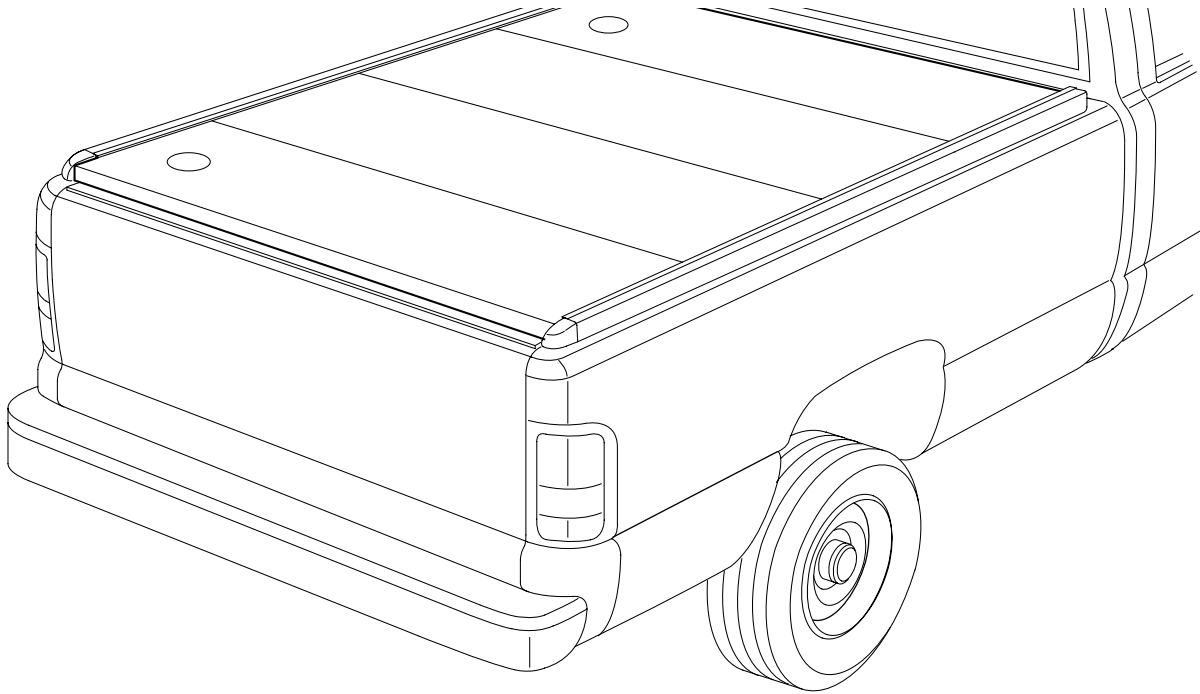
A Division of Steffens Enterprises, Inc.

4045 Karona Ct. • Caledonia, MI 49316

(616) 656-6886

Fax (616) 656-3771

HARD FOLDING TONNEAU COVER INSTALLATION INSTRUCTIONS - 2004 FORD FLARESIDE

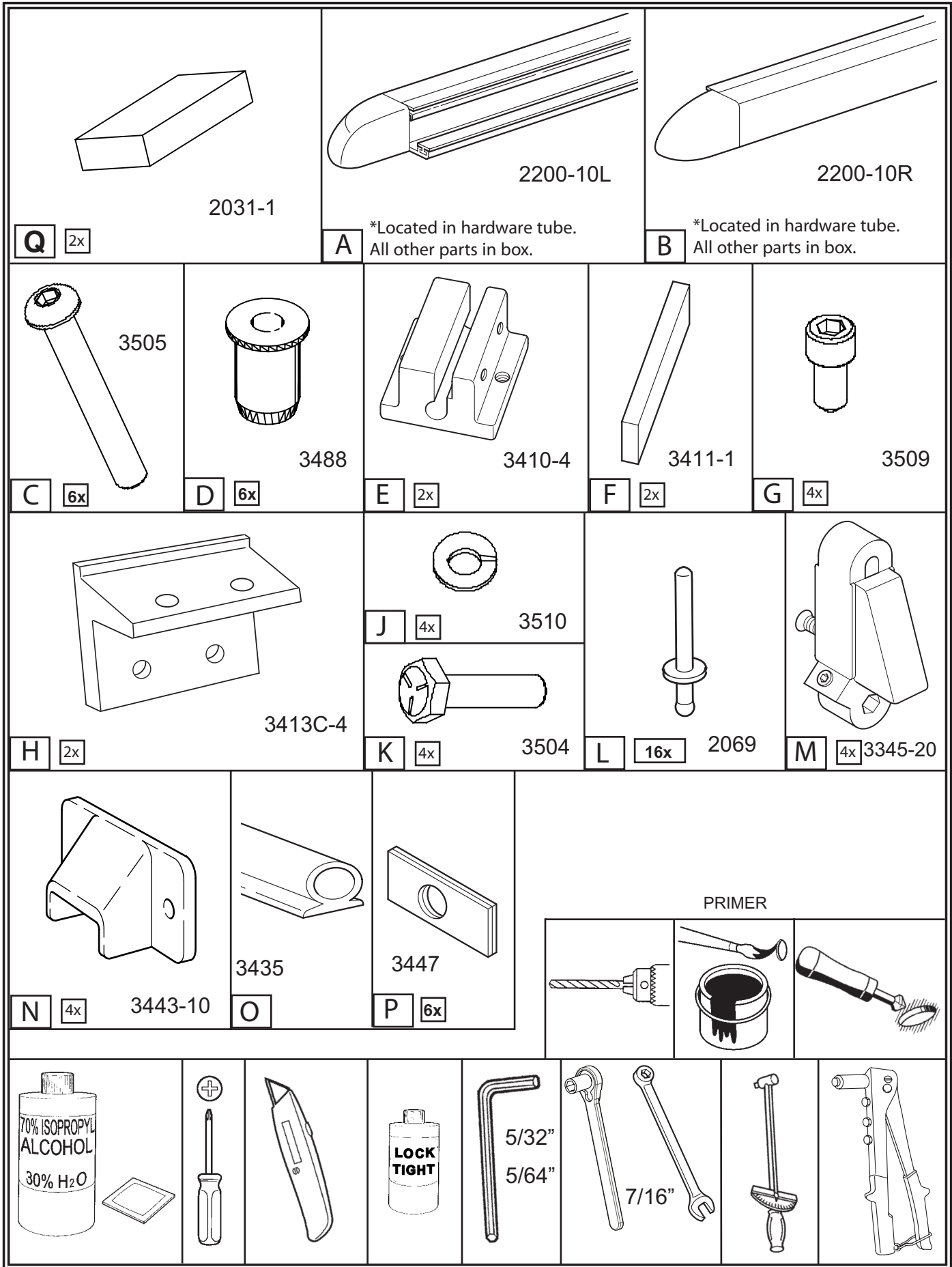


Notes to Installer:

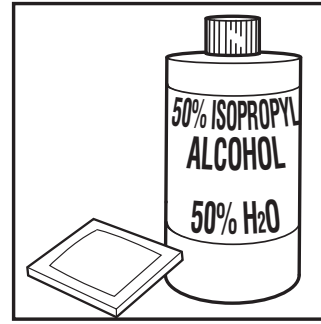
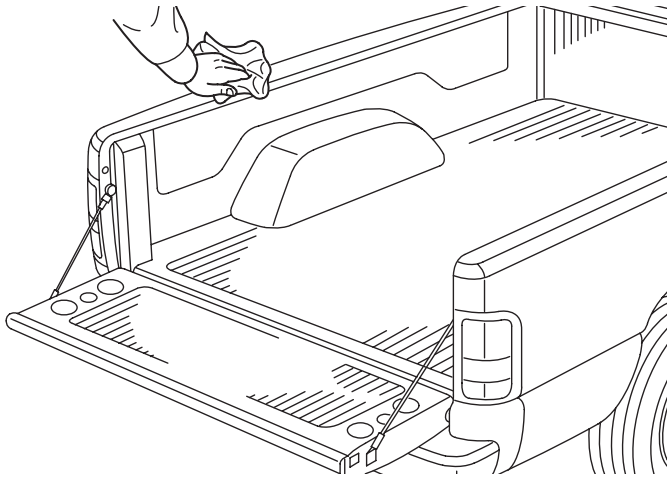
- Install Parts as shown on illustrations.
- Temperature should be no lower than 50° when installing.
- Be sure the truck is setting on a level surface.
- Apply a dab of lock tight to each fastener before use.
- Some trimming of bed liner may be required for proper fit and function.

Notes to customer:

- Record the key number and place in glove box or write it in your owner's manual.
- Refer to the Operation and Care Label located on the underside of the rearmost panel on cover (driver's side).

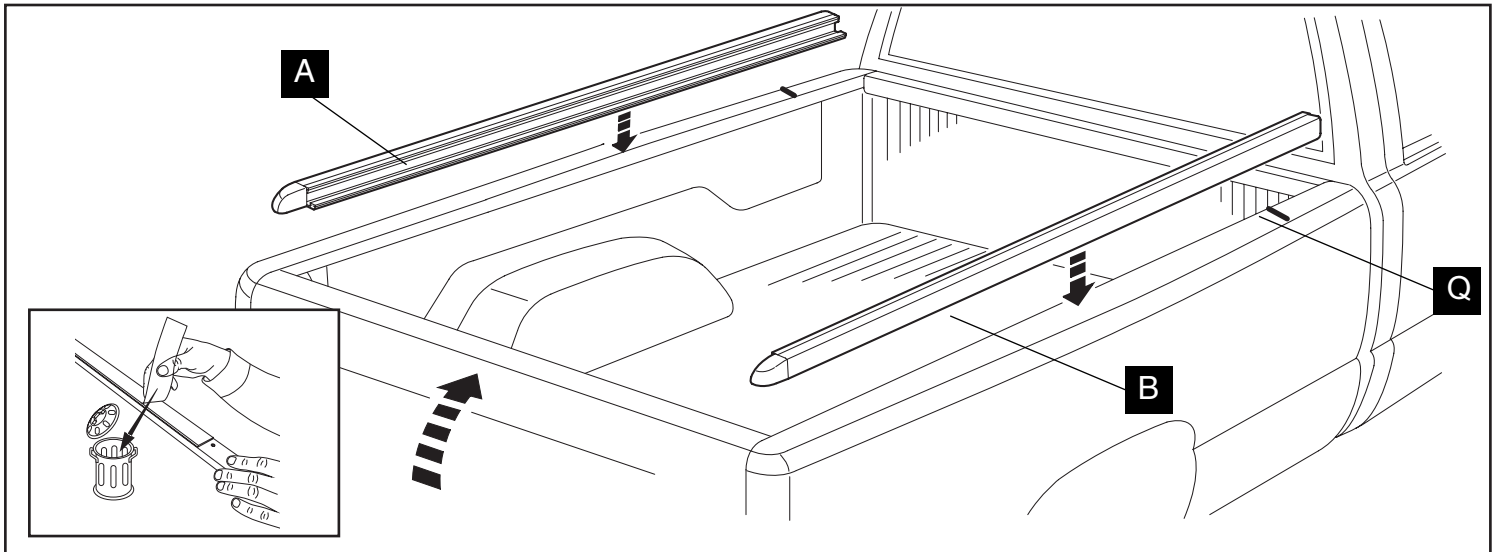


A	2200-10L	Driver Side Rail
B	2200-10R	Passenger Side Rail
C	3505	1/4-20 x 1 3/4 BHSC
D	3488	1/4-20 Wellnut
E	3410-4	Hinge Bracket
F	3411-1	Hinge Bracket Shim
G	3509	#10-32 x 1/2 SHCS
H	3413C-4	Mounting Bracket
J	3510	1/4" Lock Washer
K	3504	1/4-20 x 1 HHCS
L	2069	3/16" Pop Rivet S/S
M	3345-20	Rod End and Catch Post
N	3443-10	Catch Pocket
O	3435	D-Seal
P	3447	Support Washer
Q	2031-1	.25 x .625 Foam Seal



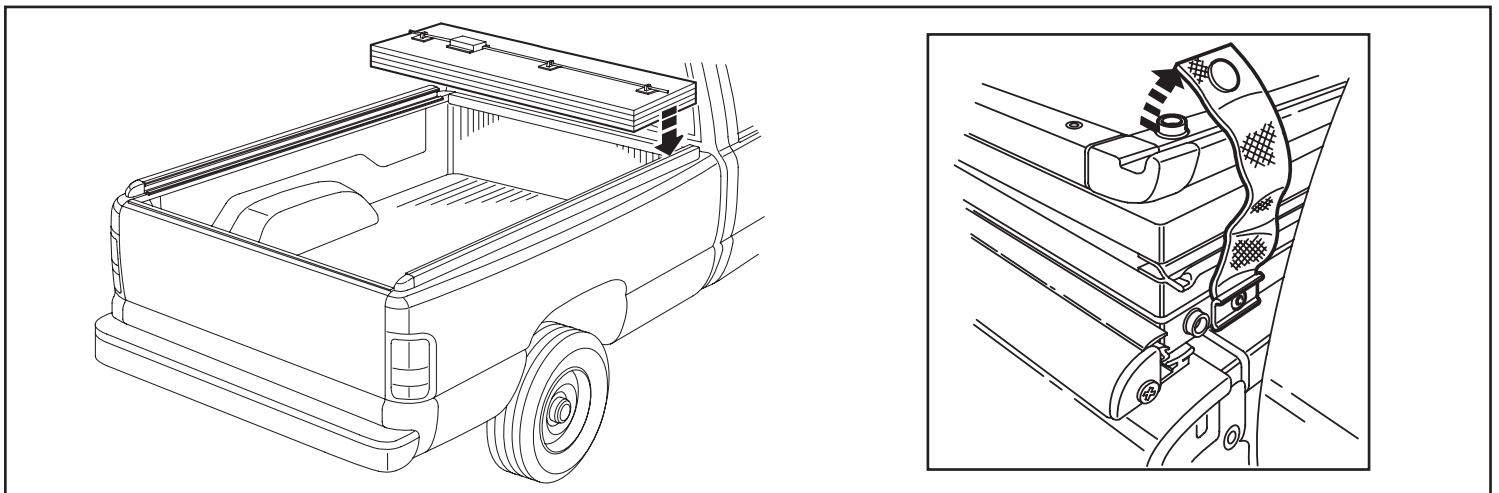
1

Wipe down surfaces to which the cover will be attached with a 50/50 solution of Isopropyl Alcohol and water.



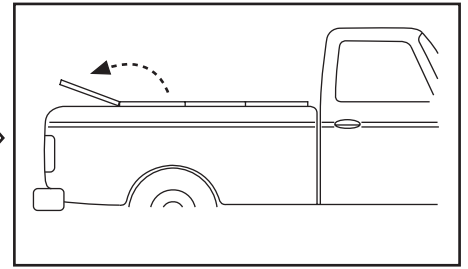
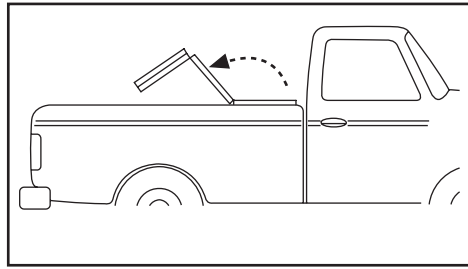
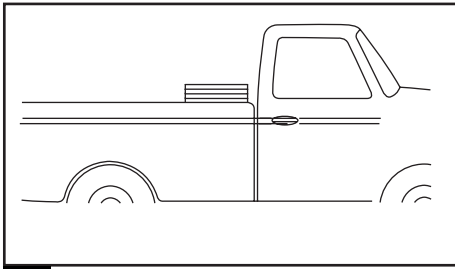
2

Peel backer paper away from side rails and discard (inset). Close tailgate. Rest rails on sides of truck. Place "Q" at the junction between the front plastic cap and the plastic side rail cap to prevent water intrusion.



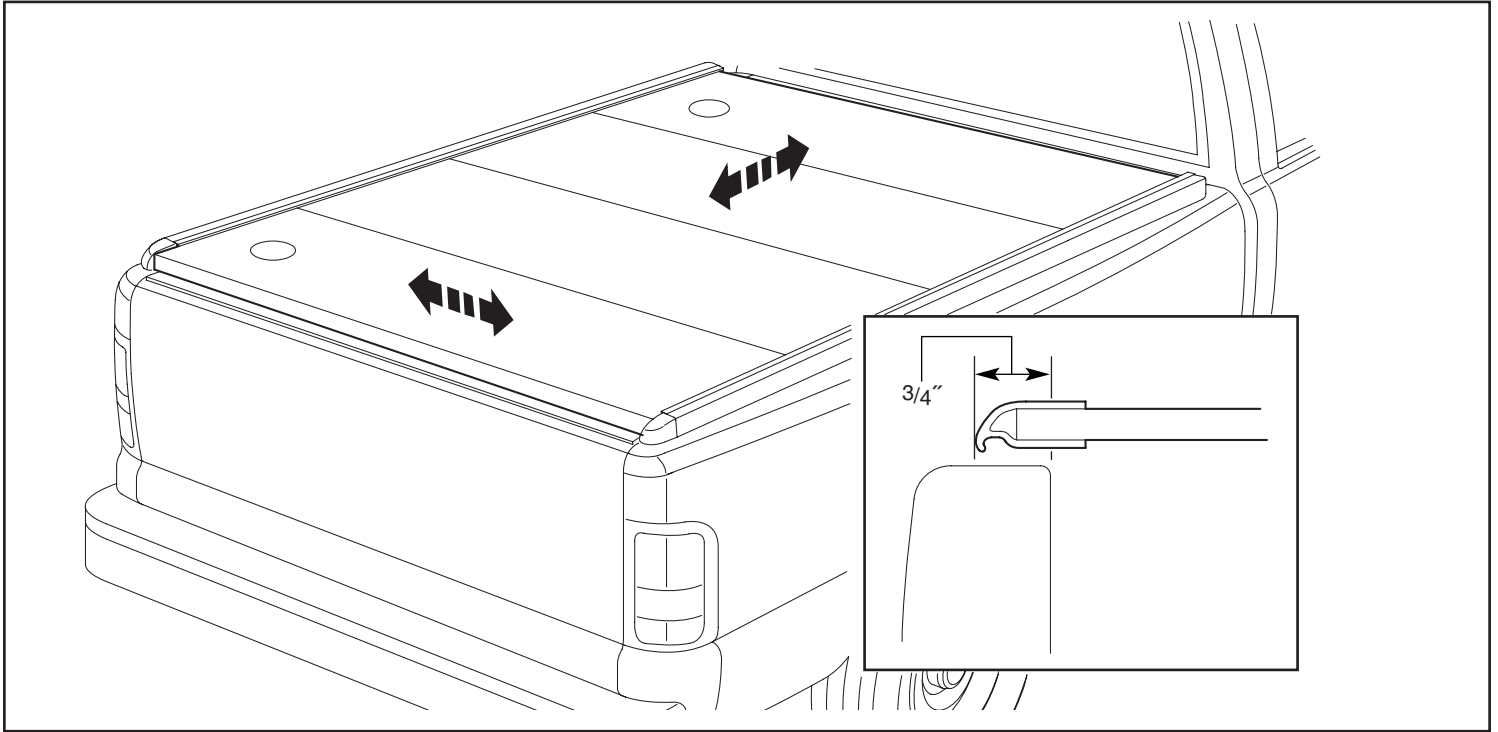
3

Set the cover on the rails. Unsnap the straps that hold the cover sections together.



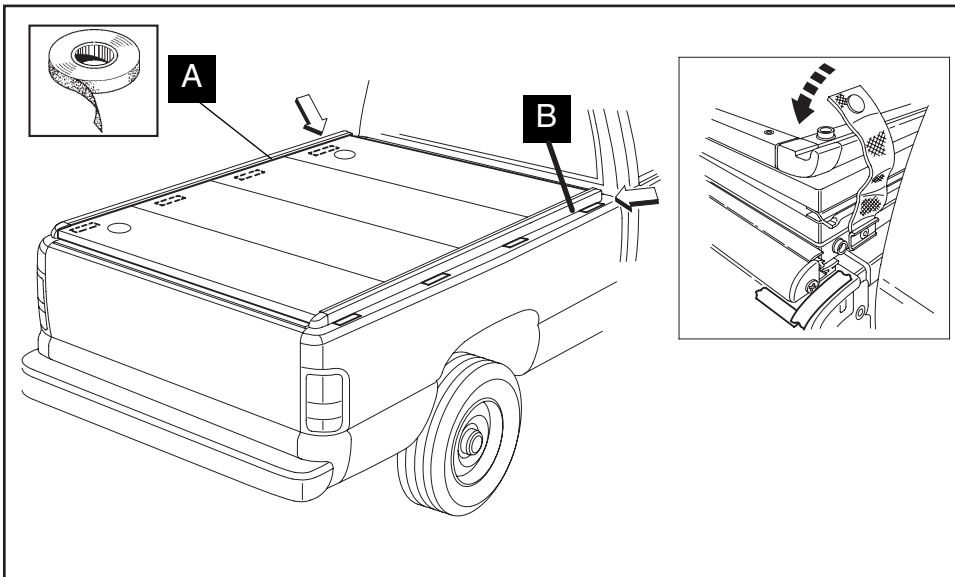
4

Unfold the cover.



5

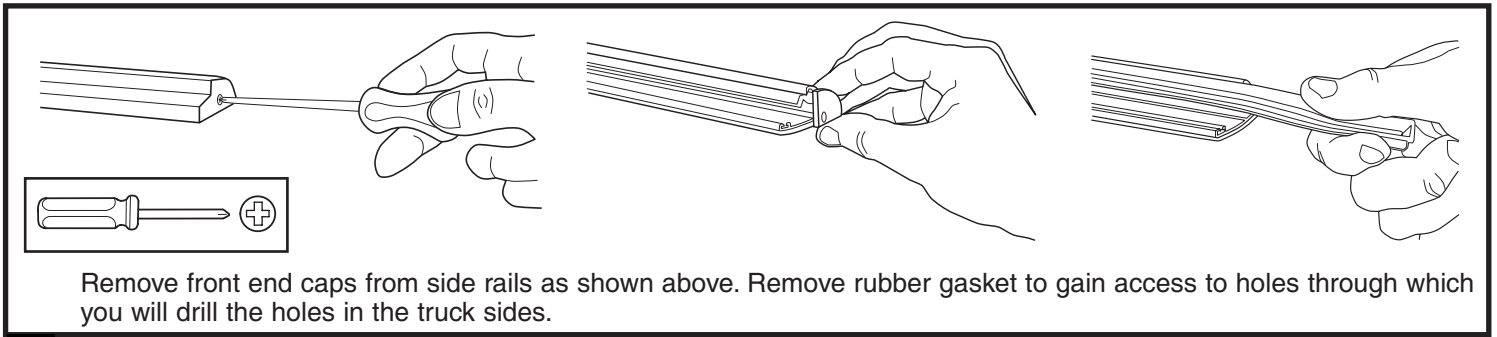
Adjust the cover so that it and the rails lay on the bed evenly from side-to-side and from front to back. Make sure the back edge lays 3/4" from the inside edge of the tailgate (inset).



6

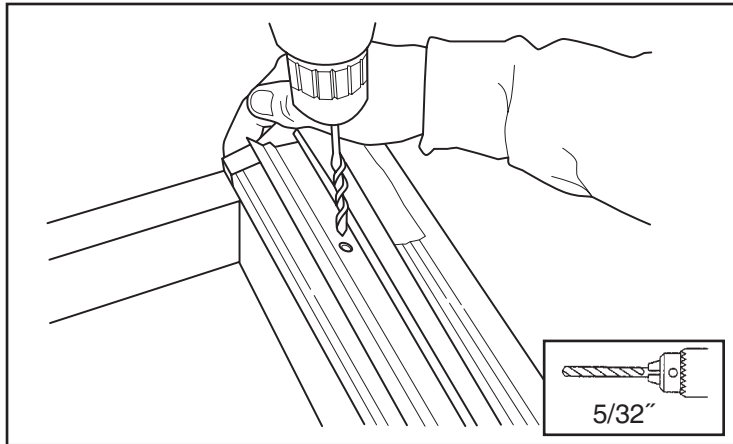
Using tape, mark the position of the rails. Then refold the cover, snap the protective strap back in place, and remove the cover.

Make sure rails are flush with truck and seals are flush with cover.

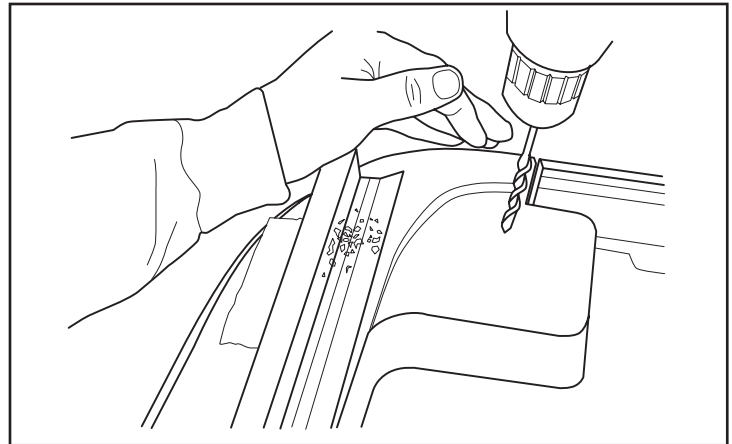


Remove front end caps from side rails as shown above. Remove rubber gasket to gain access to holes through which you will drill the holes in the truck sides.

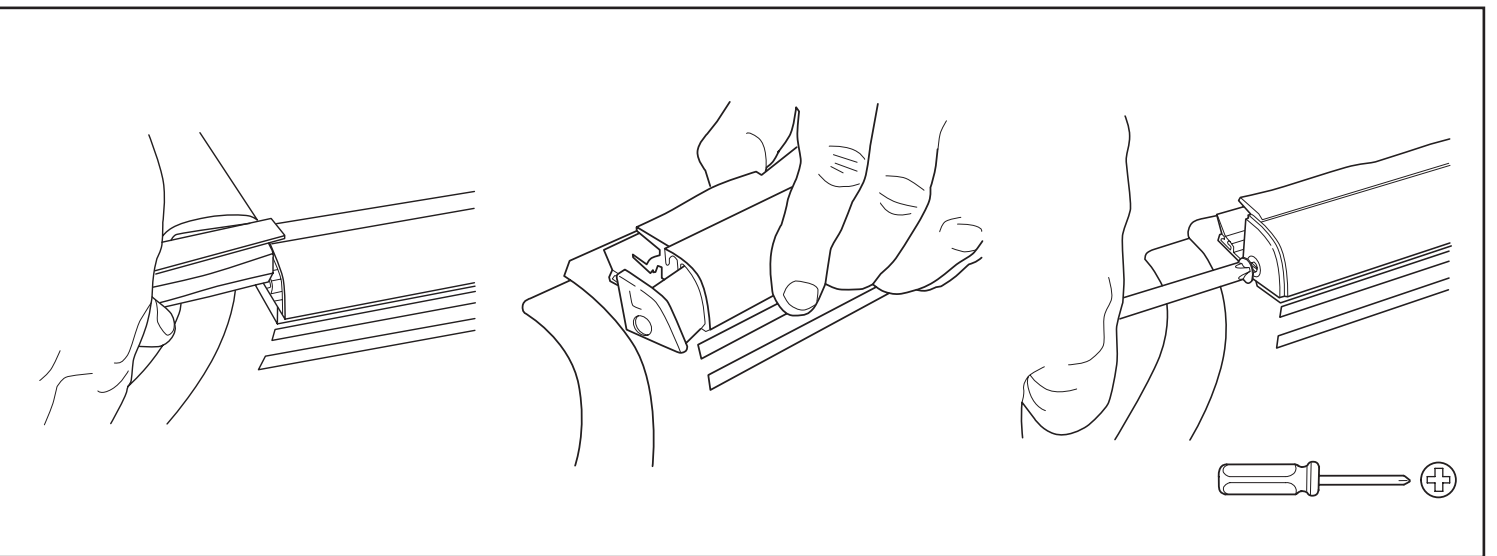
7



8 Set rails on truck using tape as a guide for position. Starting at the front (cab end) of truck, drill through the holes in the rail, through the sides of the truck, holding rail firmly in position while drilling.

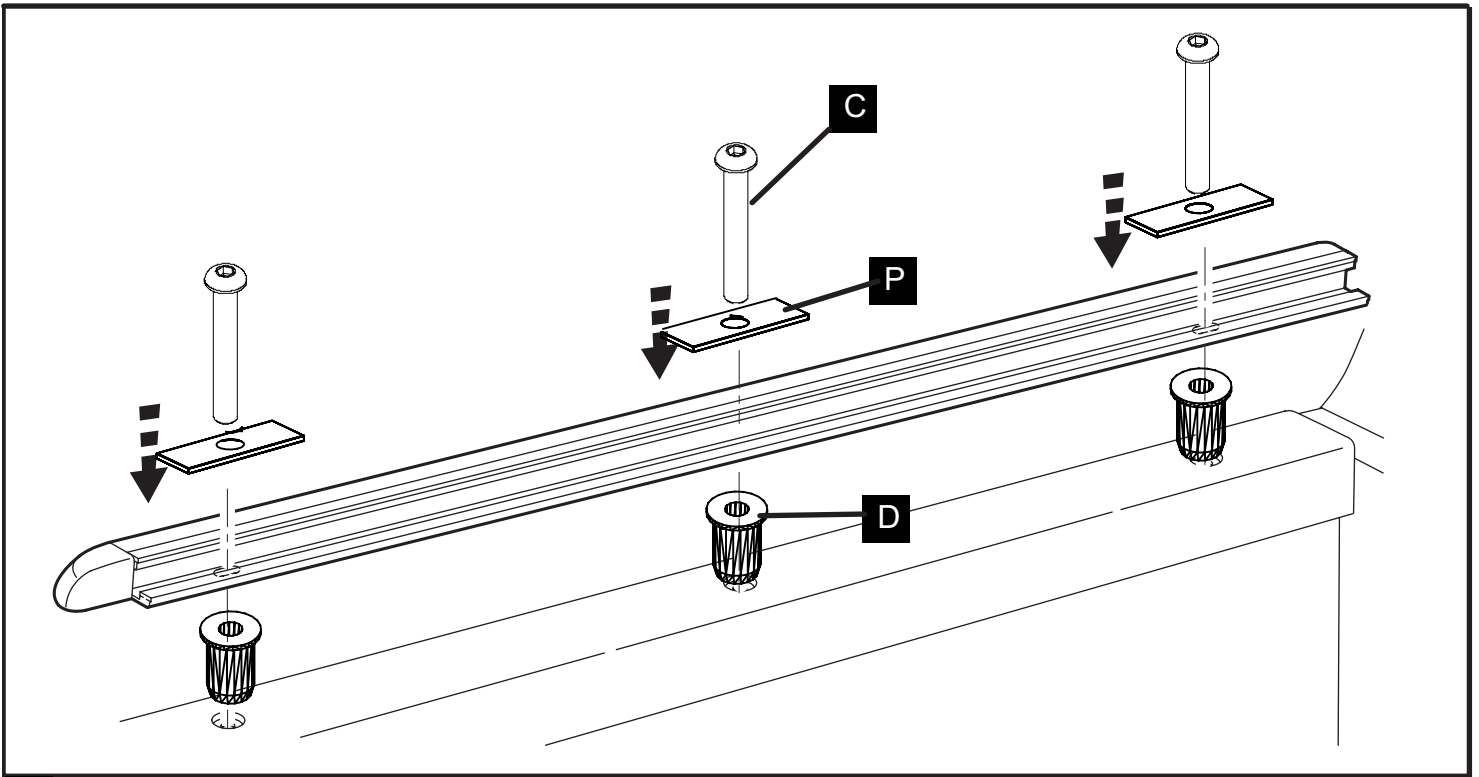


9 Remove rails and enlarge holes with a 1/2" drill bit remove any burrs and rough edges.

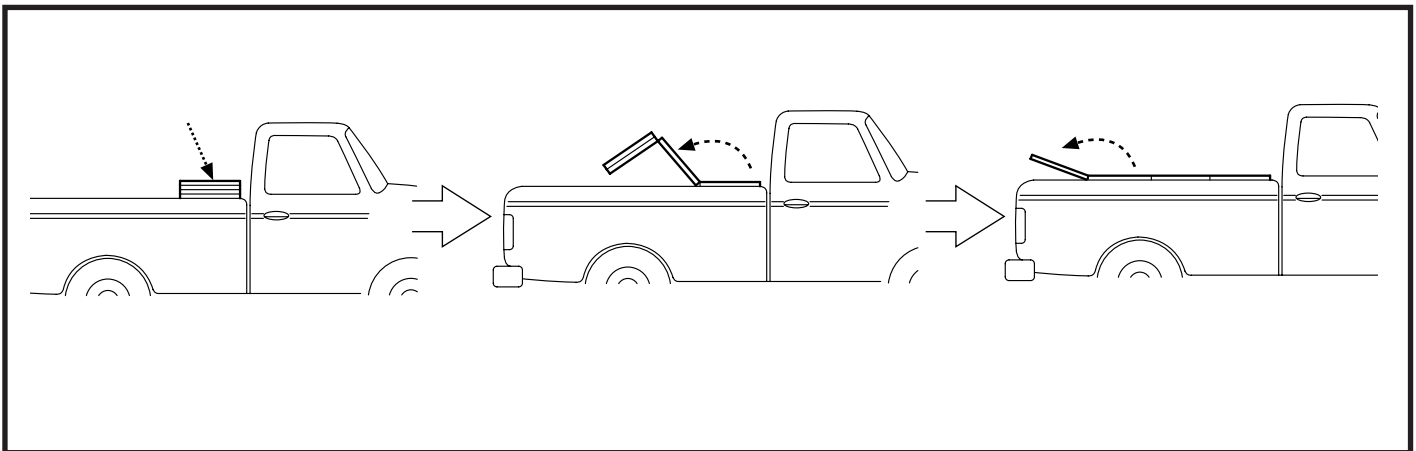


10 Replace the rubber gasket in each rail by feeding it into the rail from the front (cab end) of the truck. After the gasket is in place, place the end cap on the end of the rail. Then screw the end cap back in place to secure.

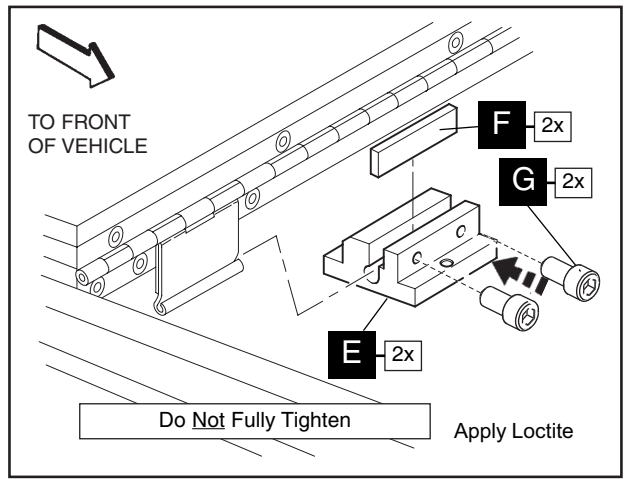
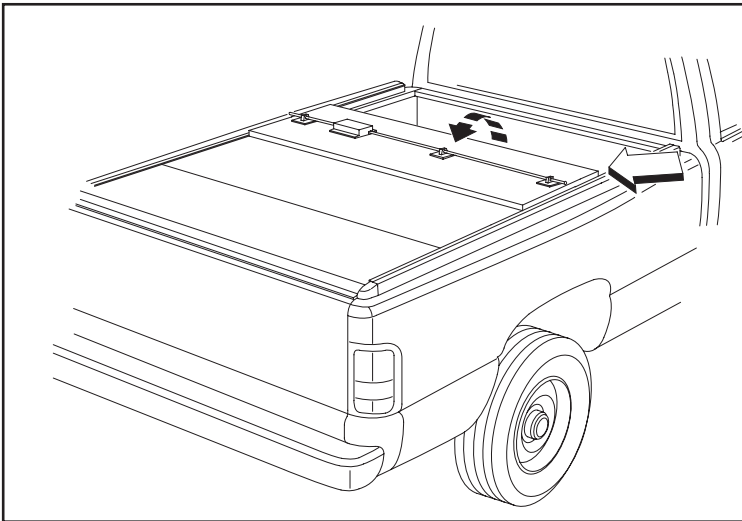
10



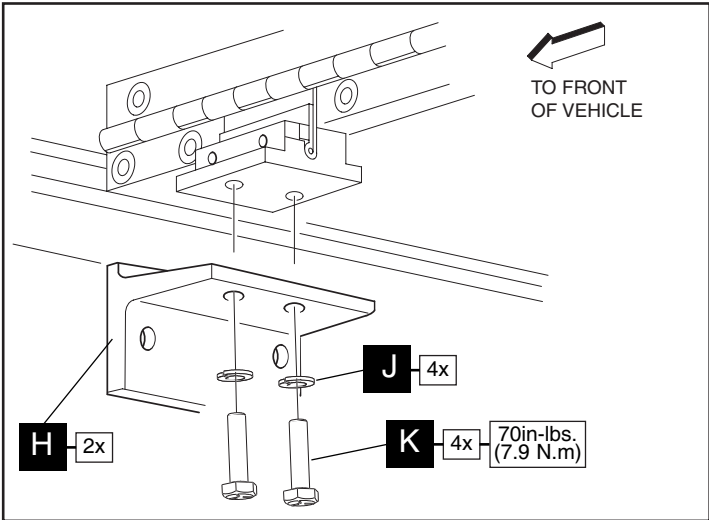
11 Sub-assemble the 3 parts as shown with the side rail in all 3 locations. Place assembled rails into the predrilled holes and tighten bolts allowing some movement until cover is placed back on and relocated. Tighten bolts.



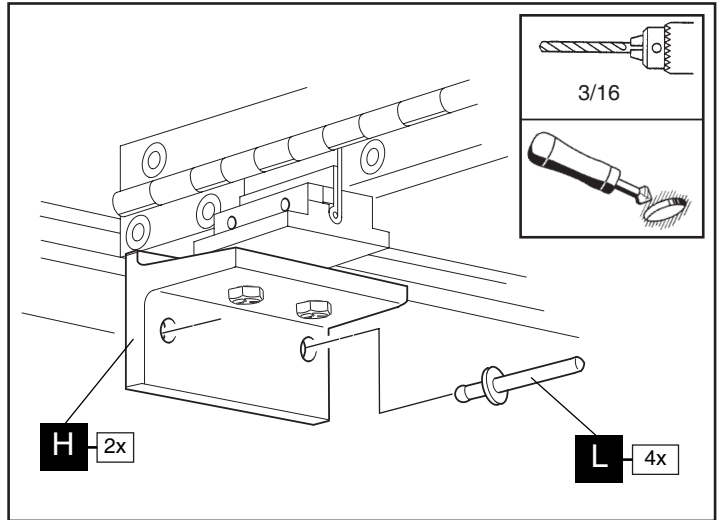
12



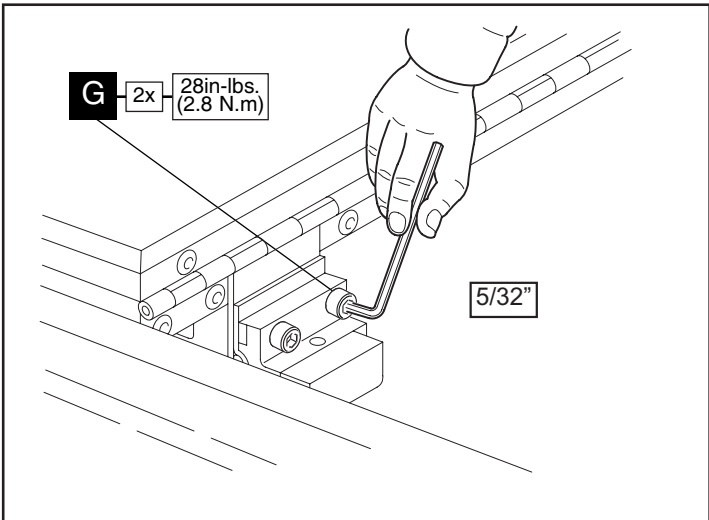
13



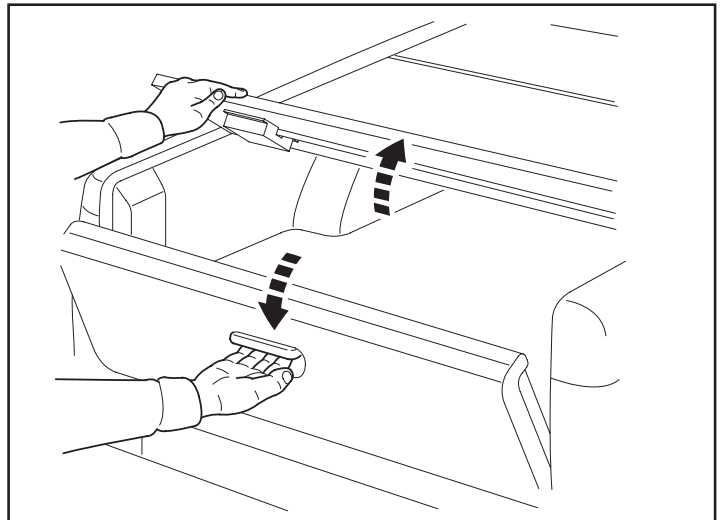
14



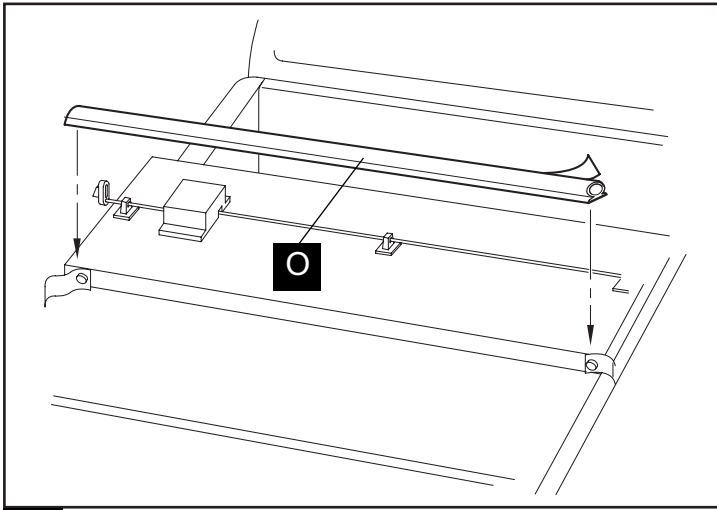
15 Using Bracket G as a drill template, drill two 3/16" holes and secure Bracket with supplied pop rivets.



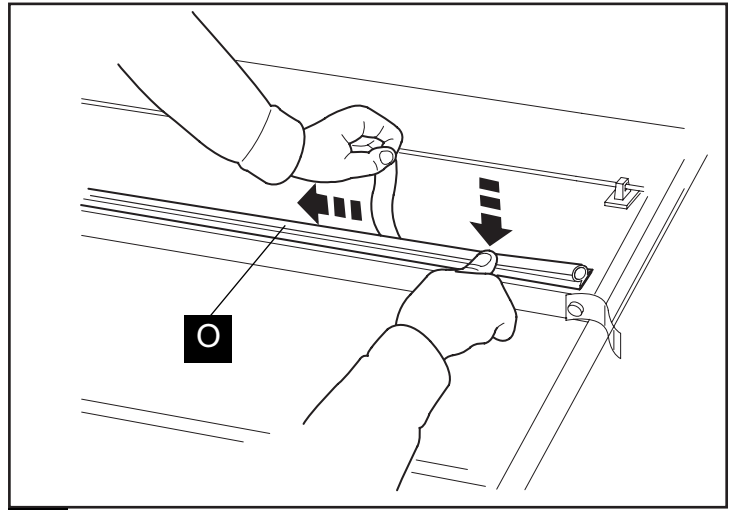
16



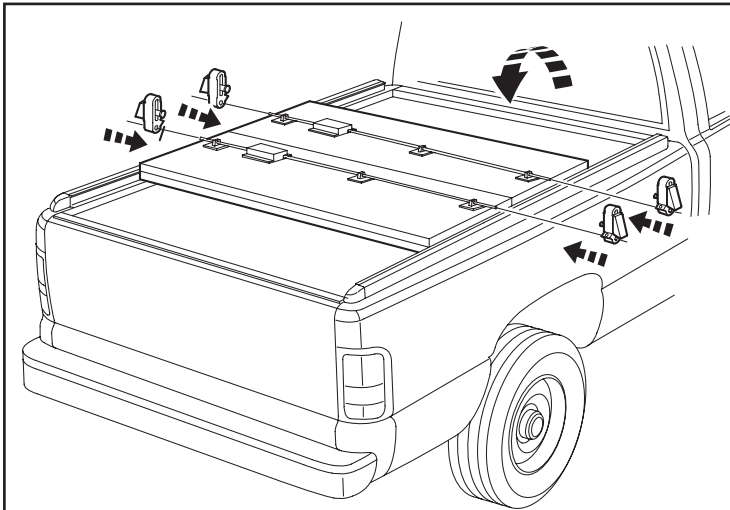
17



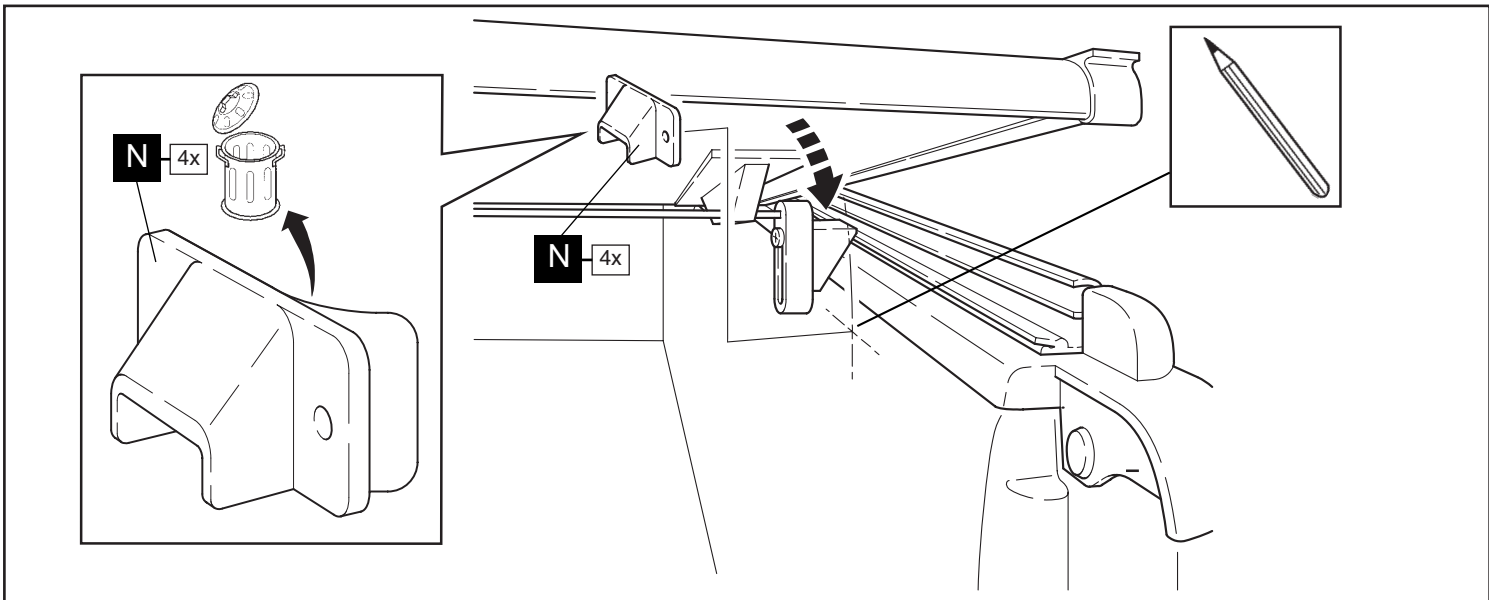
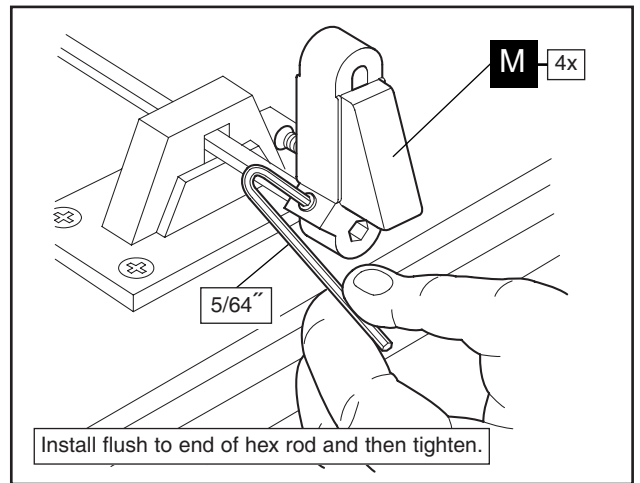
18 Cut length of Strip O to fit between side rails, then apply as shown. If you have an over-the-rail bed liner this strip may not work.



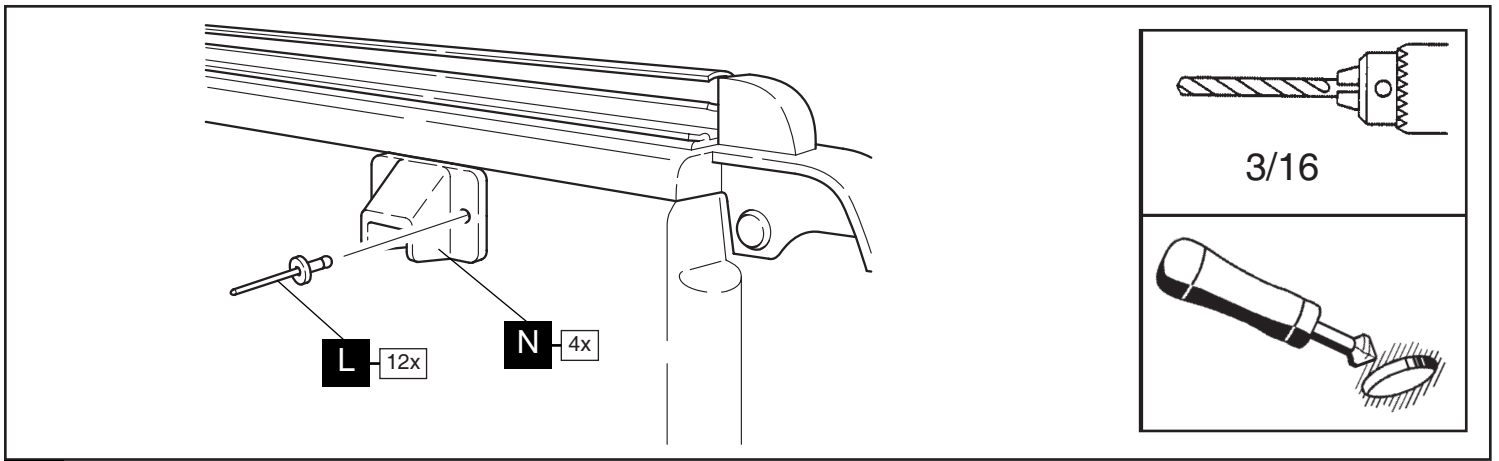
19



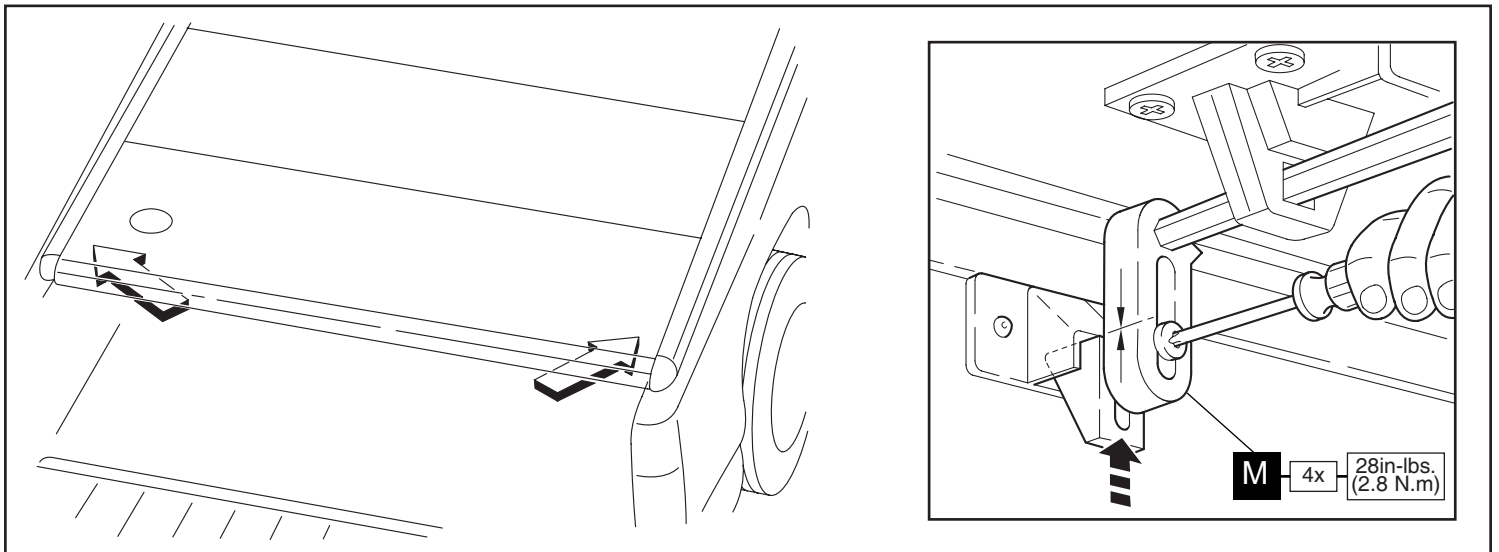
20



21



22 At least two rivets are required to secure Bracket N. The third rivet is optional.



23 Make sure to adjust the Rod End/Catch Post Assemblies "M" are properly adjusted to prevent damage.