

# Fold a Cover® / LS series

*Built for your lifestyle*

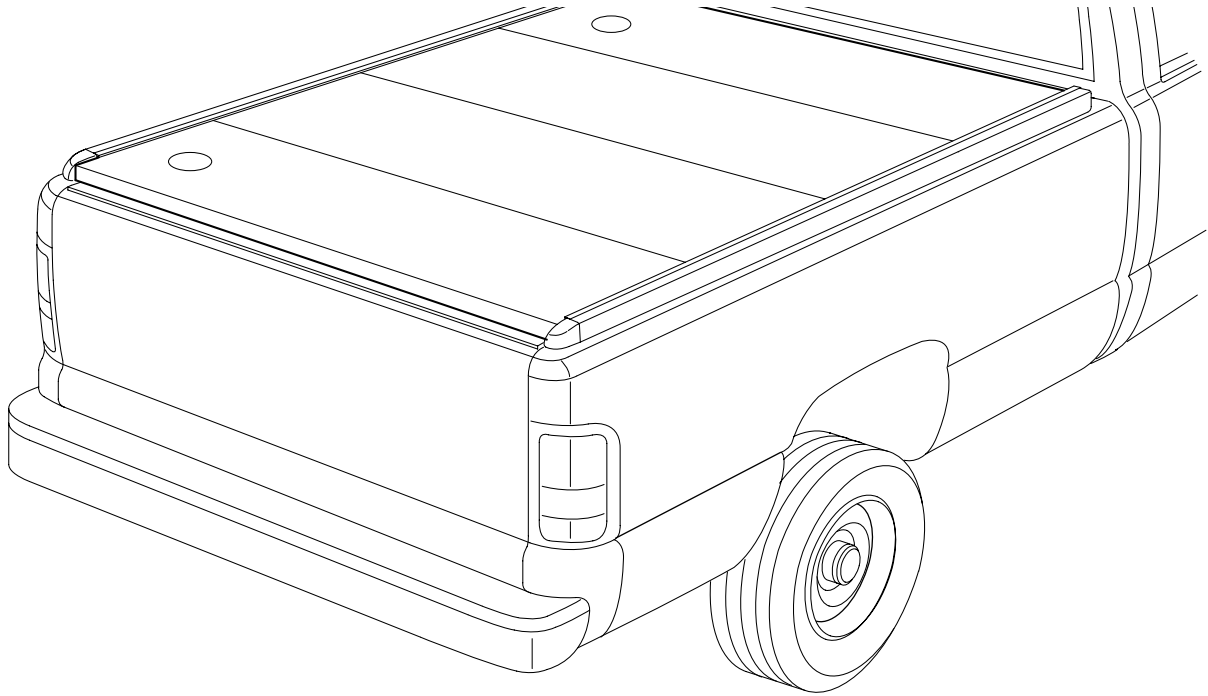
*A Division of Steffens Enterprises, Inc.*

4045 Karona Ct. • Caledonia, MI 49316

(616) 656-6886

Fax (616) 656-3771

## HARD FOLDING TONNEAU COVER INSTALLATION INSTRUCTIONS - WITH STAKE POCKETS

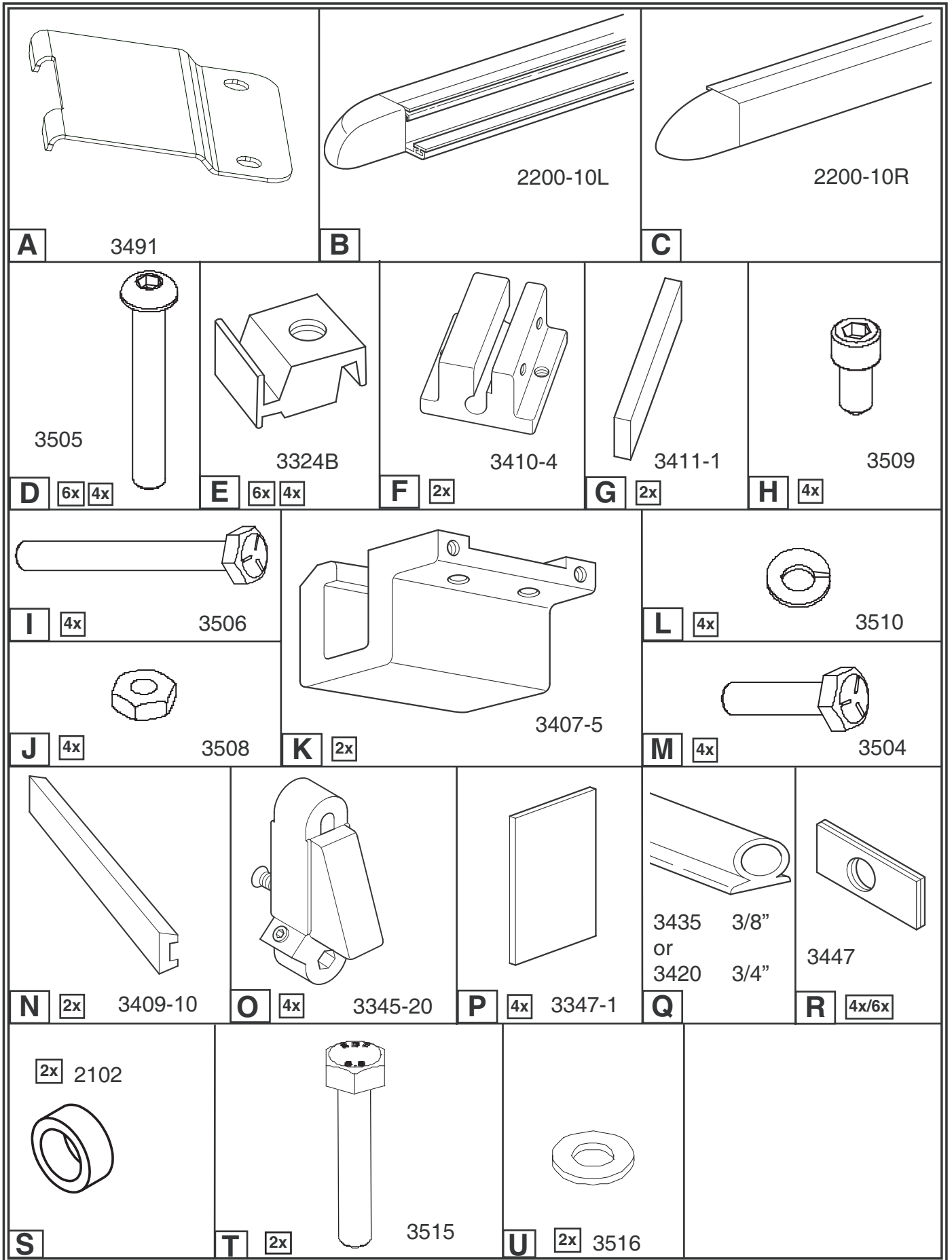


### Notes to Installer:

- Install Parts as shown on illustrations.
- Temperature should be no lower than 50° F when installing.
- Be sure the truck is setting on a level surface.
- Apply a dab of lock tight to each fastener before use.
- Some trimming of bed liner may be required for proper fit and function.

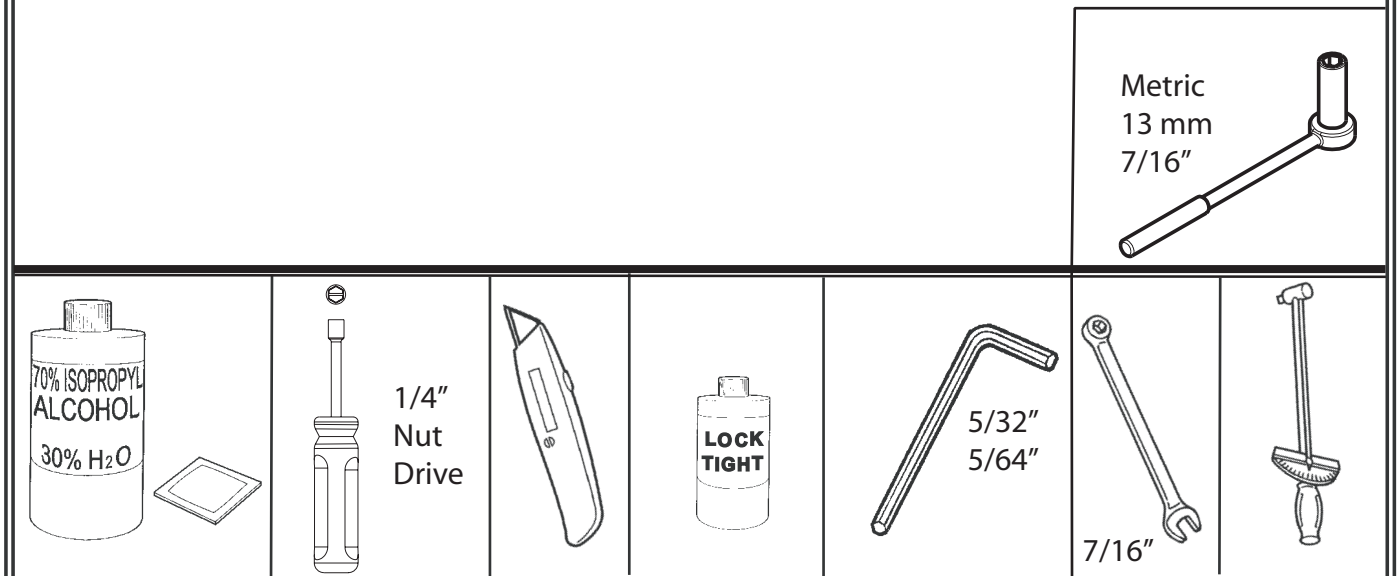
### Notes to customer:

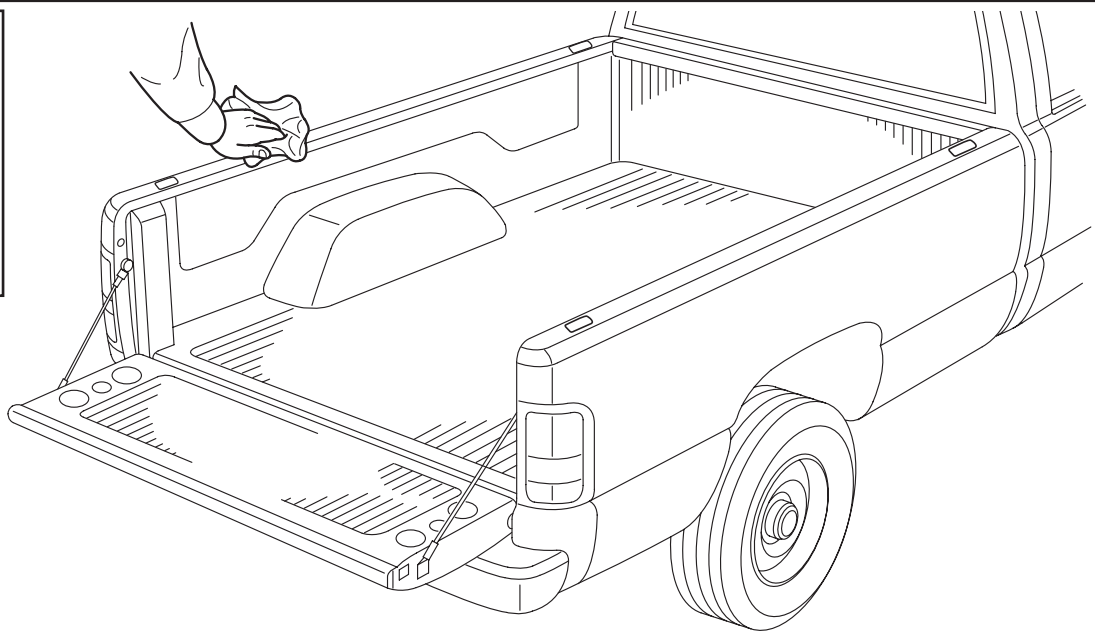
- Record the key number and place in glove box or write it in your owner's manual.
- Refer to the Operation and Care Label located on the underside of the rearmost panel on cover (driver's side).



A	3491	Latch Bracket
B	2200-10L	Driver Side Rail
C	2200-10R	Passenger Side Rail
D	3505	1/4-20 x 1 3/4 HHCS
E	3324B	Stake Pocket Nut
F	3410-4	Hinge Bracket
G	3411-1	Hinge Bracket Shim
H	3509	#10-32 x 1/2 SHCS
I	3506	1/4-20 X 2 1/4 HHCS
J	3508	1/4-20 Jam Nut
K	3407-5	C-Clamp
L	3510	1/4" Lock Washer
M	3504	1/4-20 x 1 HHCS
N	3409-1	C-Clamp Shim
O	3345- 20	Rod End and Catch Post
P	3347-1	Wear Tape
Q	3420	D-Seal 3/4" Diameter
	3435	D-Seal 3/8" Diameter
R	3447	Support Washer
S	2102	Nylon Washer
T	3515	M8 X 1.25 X 35mm HHCS
U	3516	Metric Flat Washer

## RECOMMENDED TOOLS

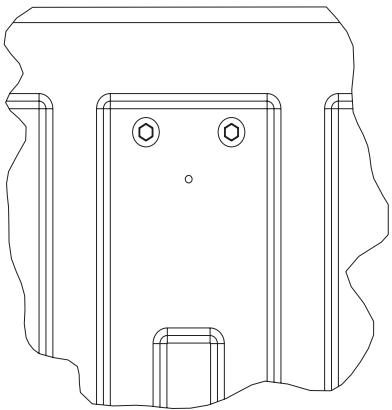




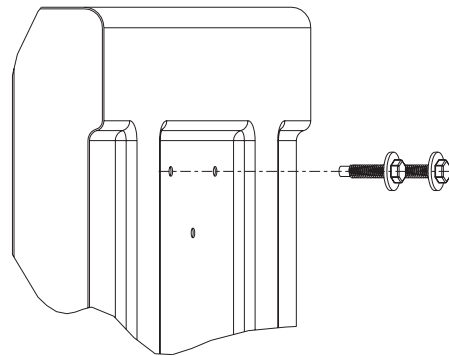
1

Wipe down Both Side Rails

## Tailgate latch Installation Instructions

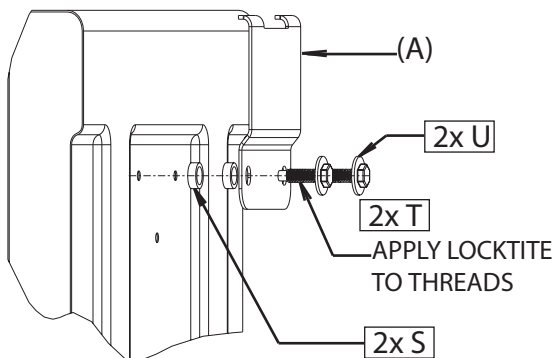


2



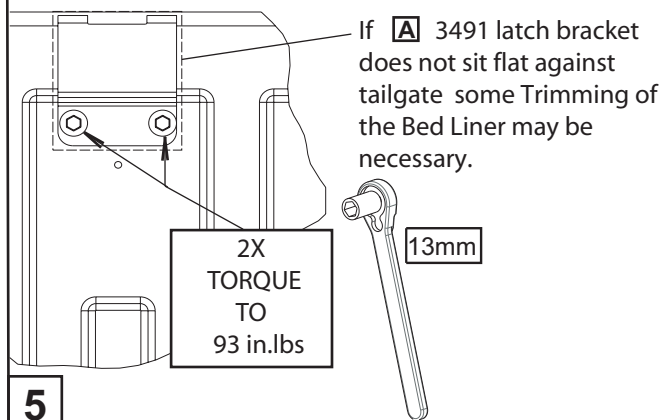
3

Remove Tailgate Bolts & Discard



4

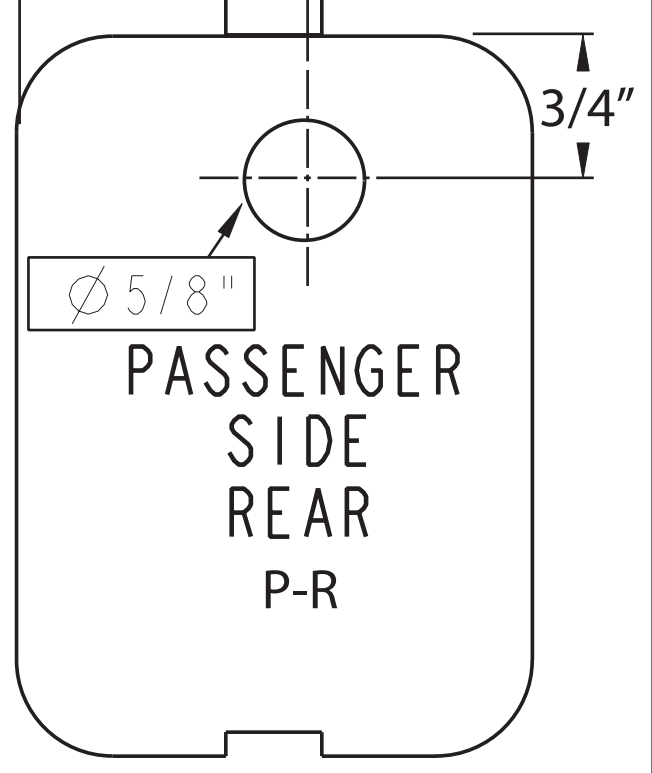
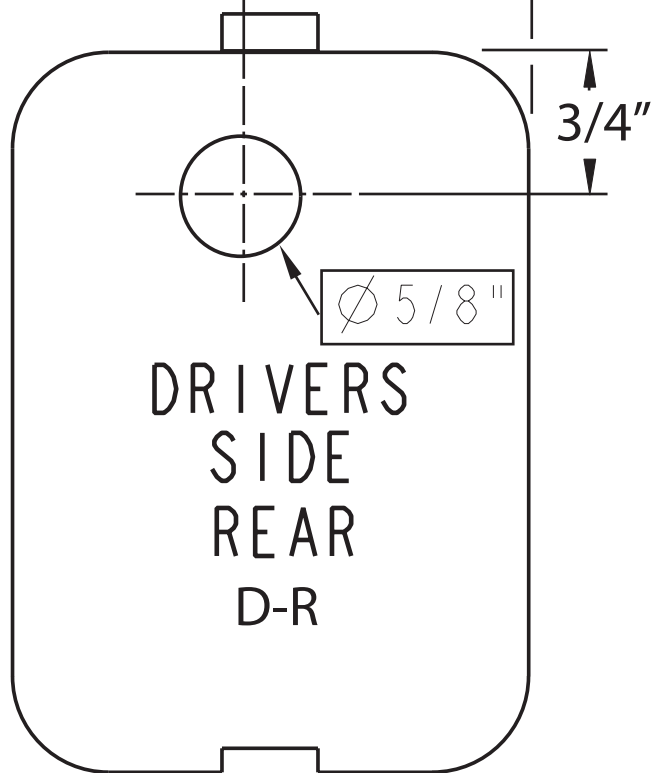
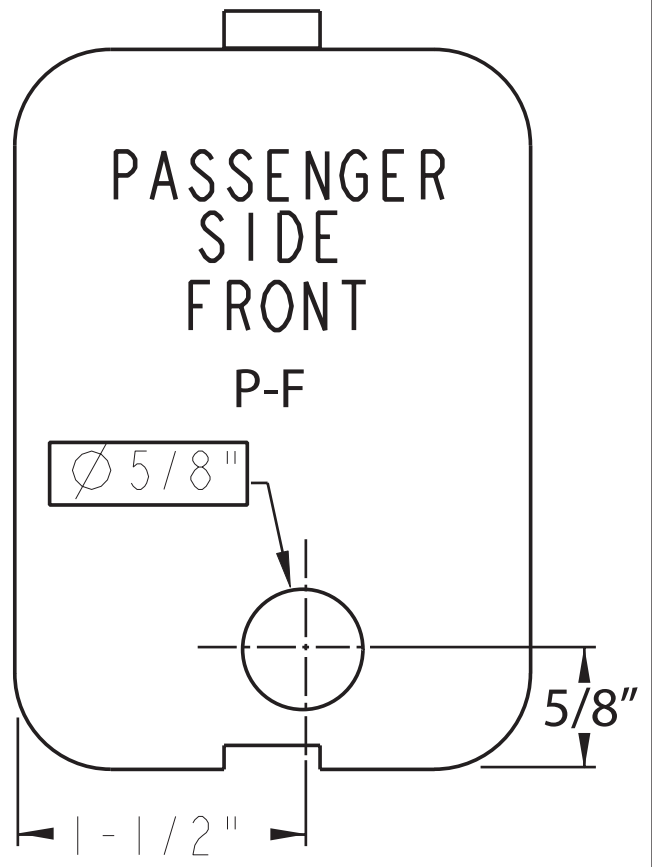
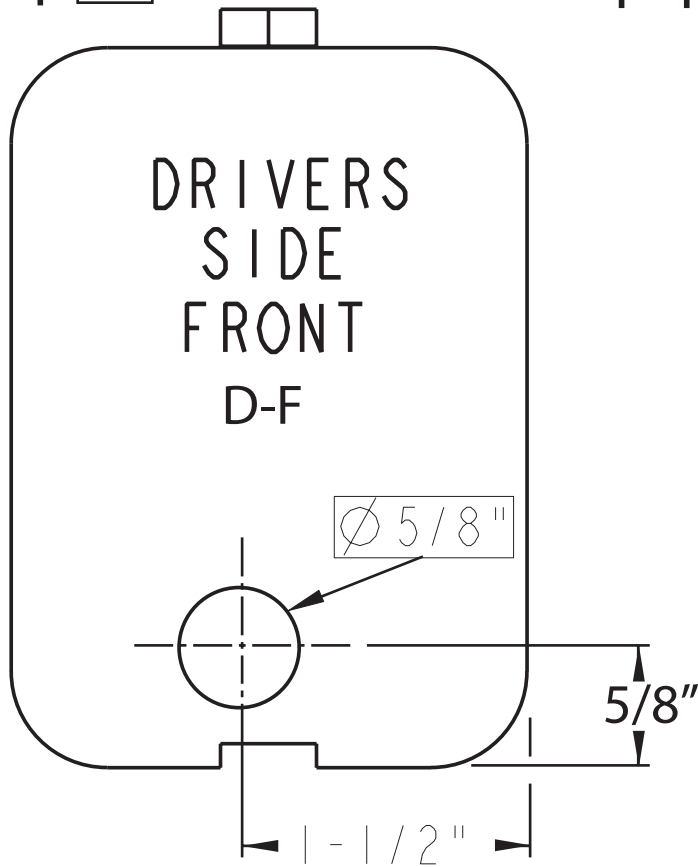
Install components as shown



5

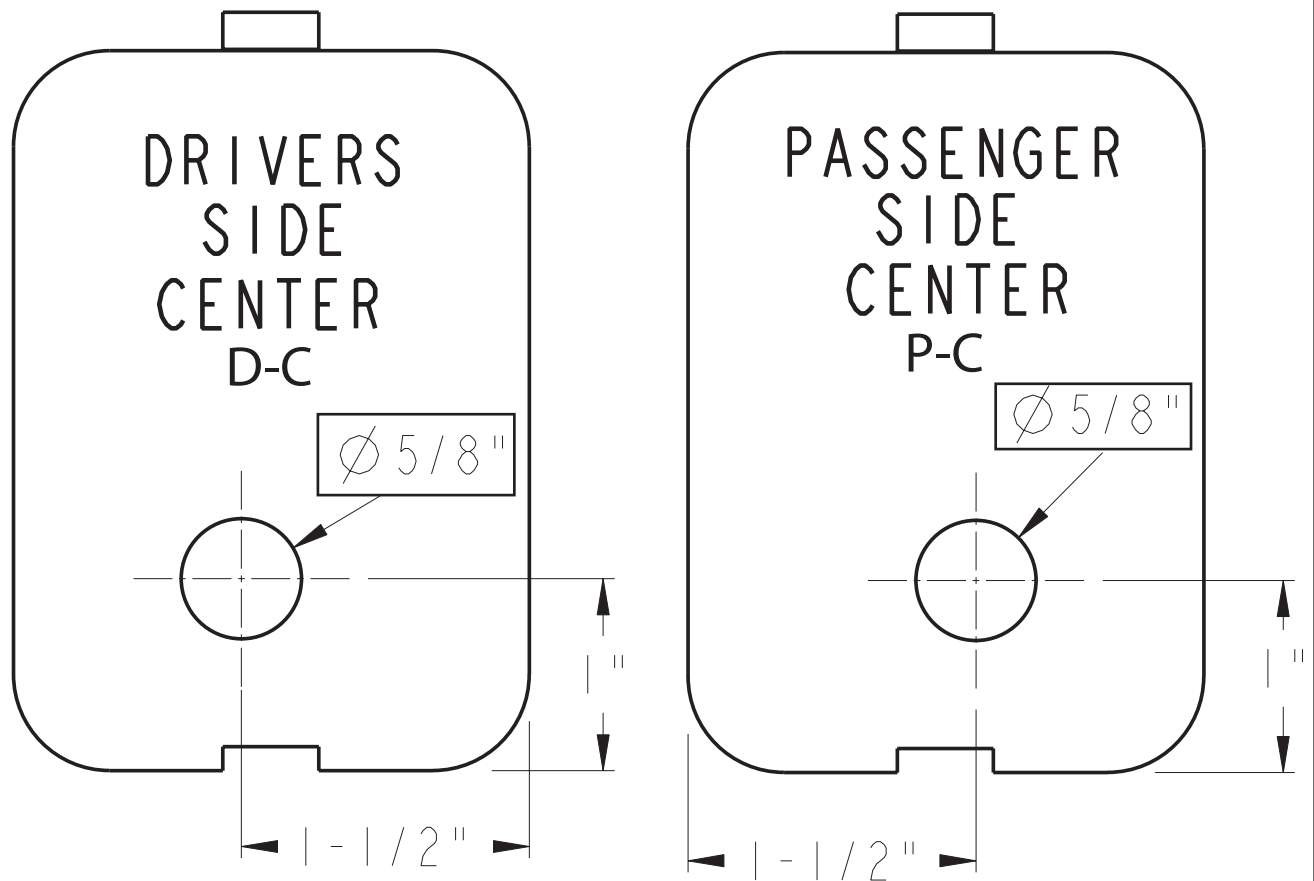
# Drill Template

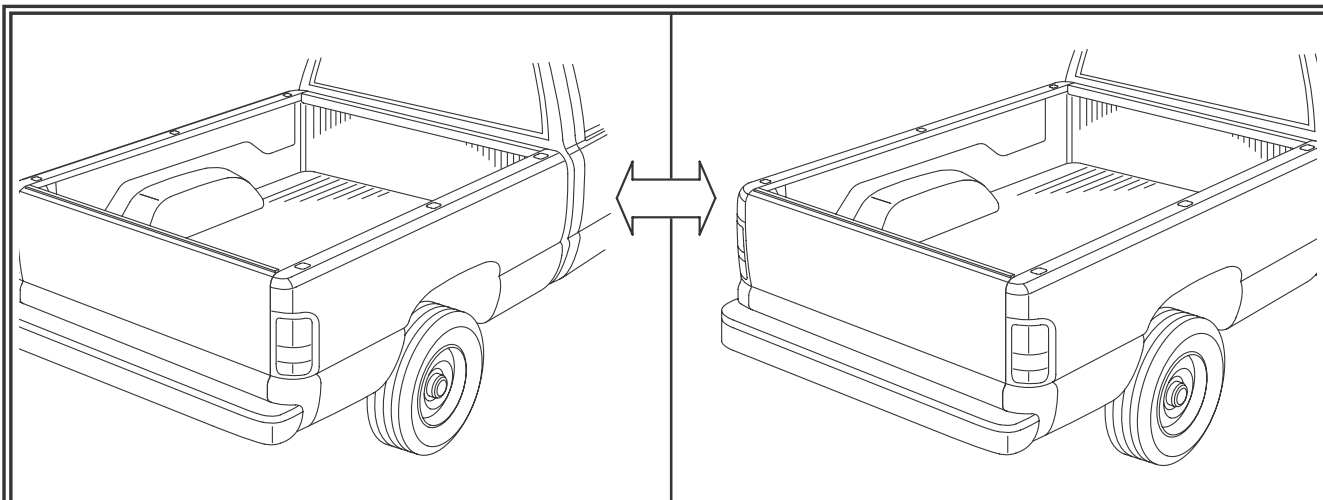
Op #6 For 6-1/2' Bed Equipped with side Bed covers



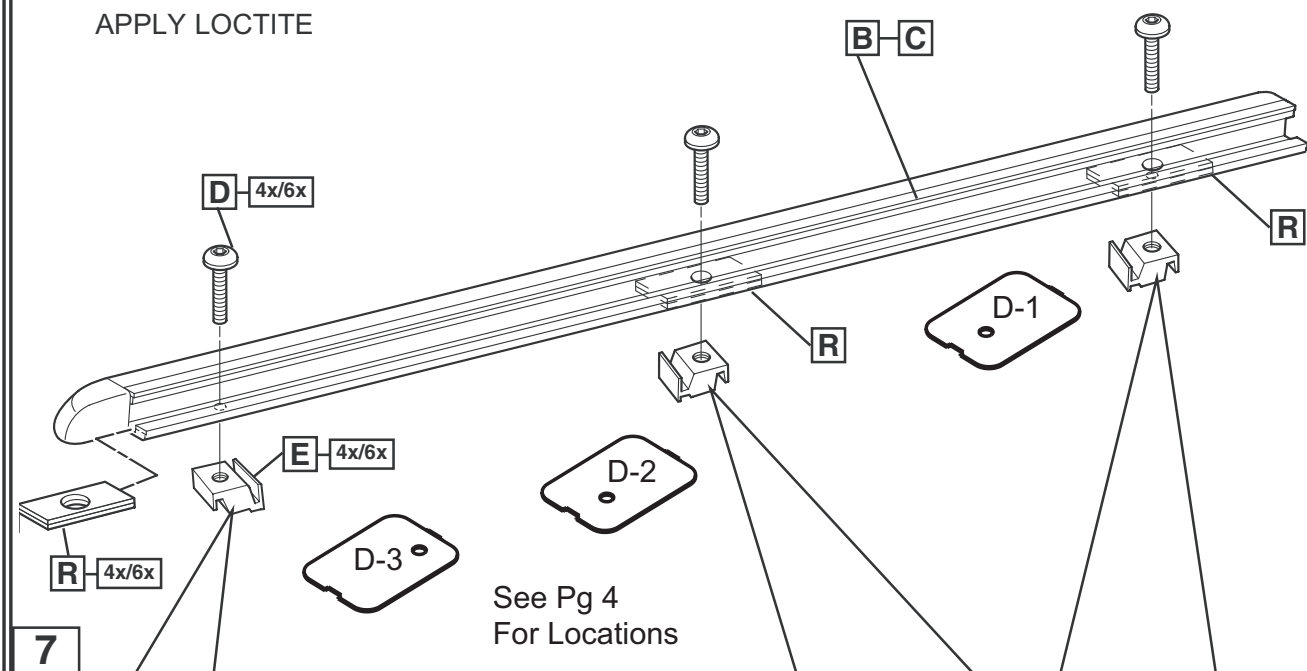
# Drill Template

Op #6 for Vehicles Equipped  
with Plastic Side Bed Covers For  
8' Beds

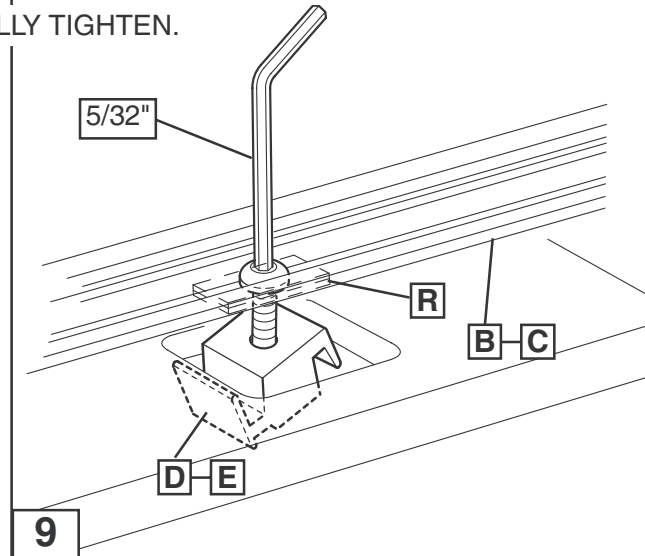
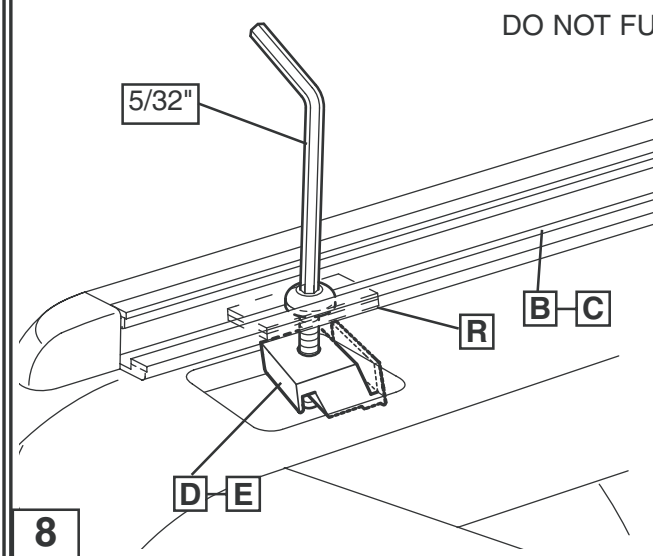


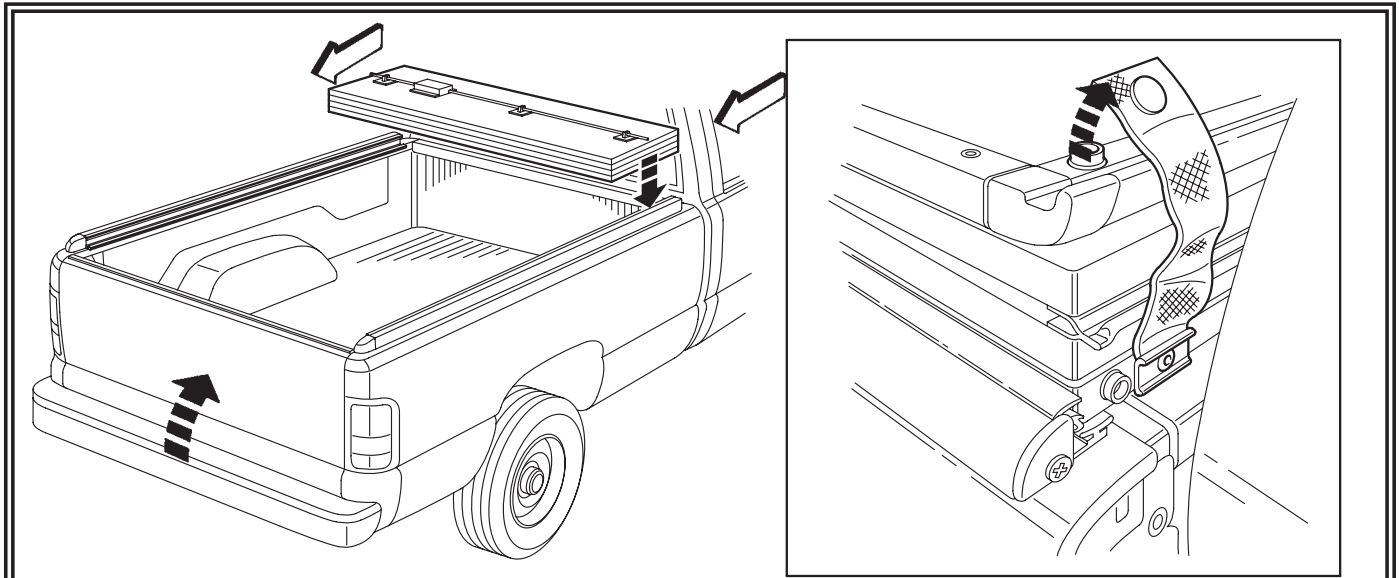


APPLY LOCTITE

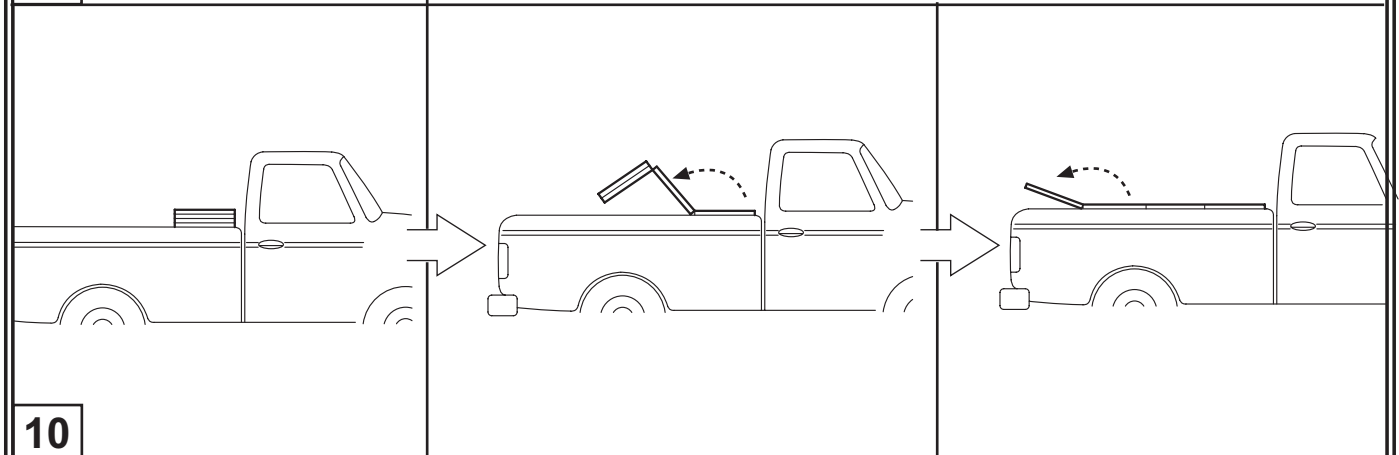


DO NOT FULLY TIGHTEN.



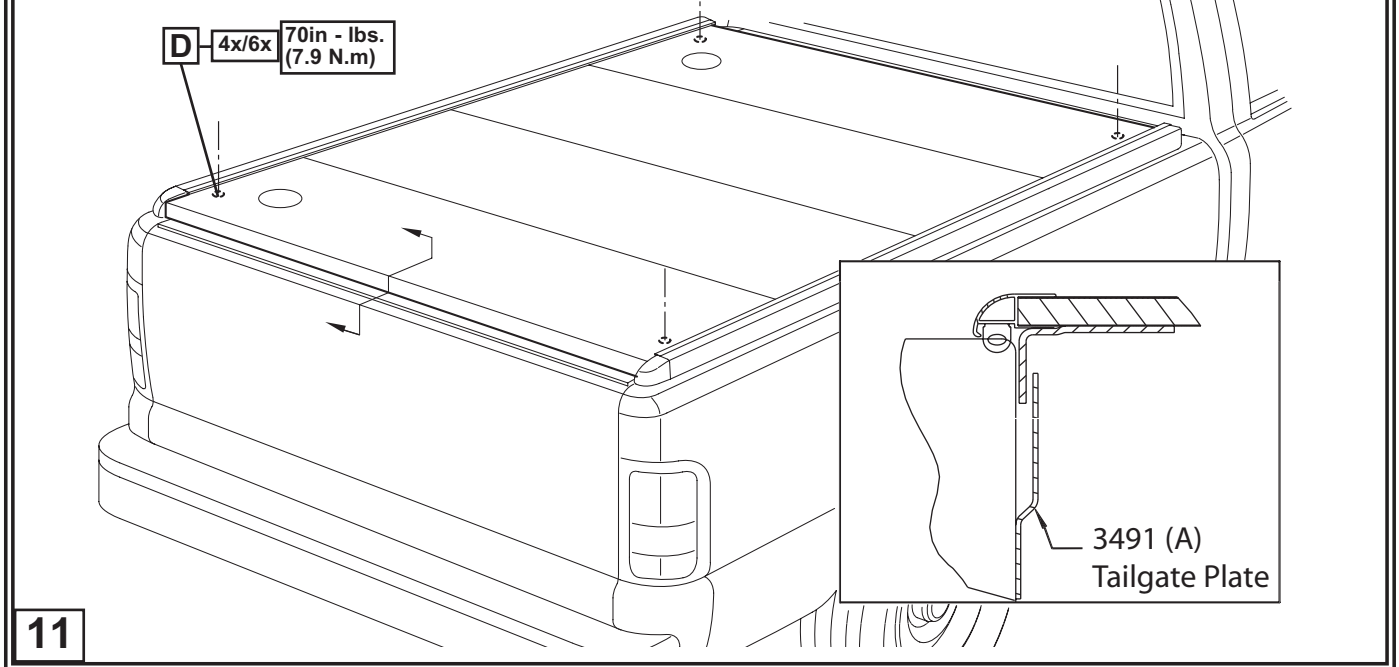


9



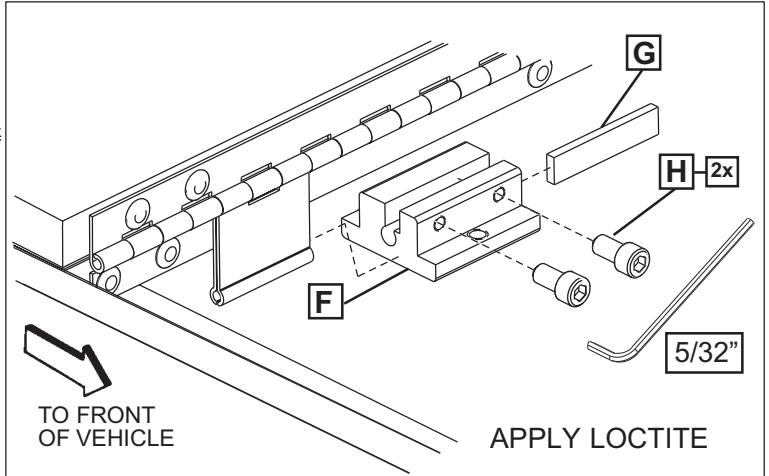
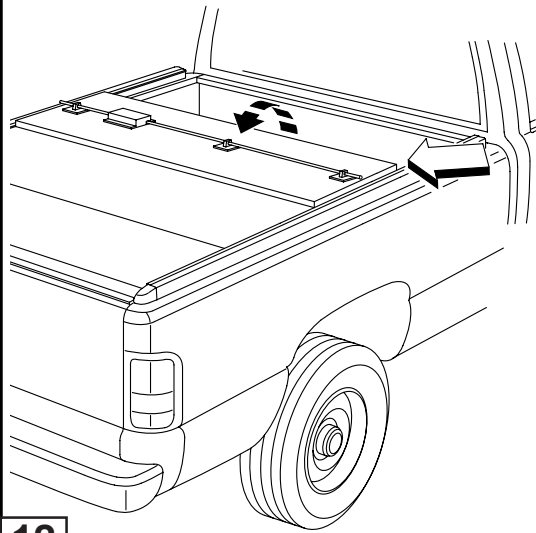
10

CENTER THE COVER AND SIDE RAILS EVENLY ONTO THE TRUCK BOX.  
THEN OPEN THE REAR AND FRONT PANELS TO TIGHTEN THE SCREWS.



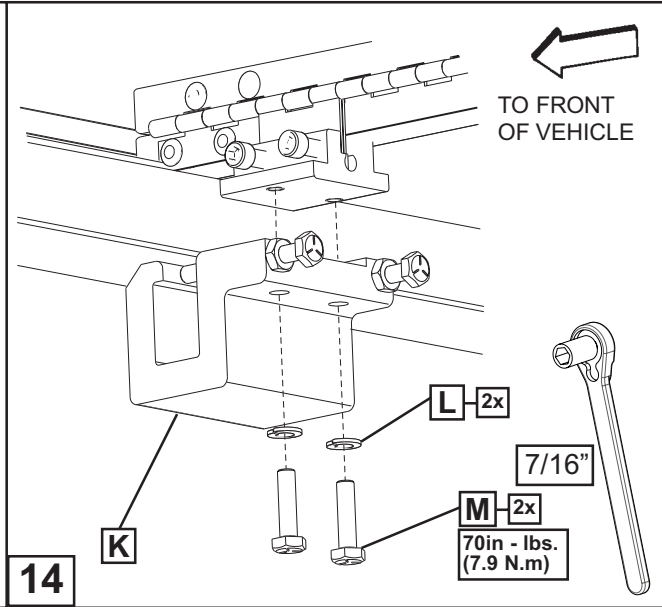
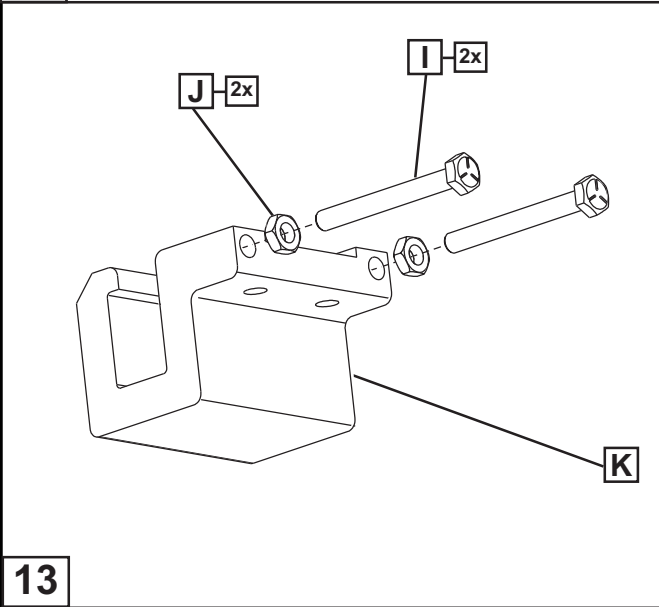
11





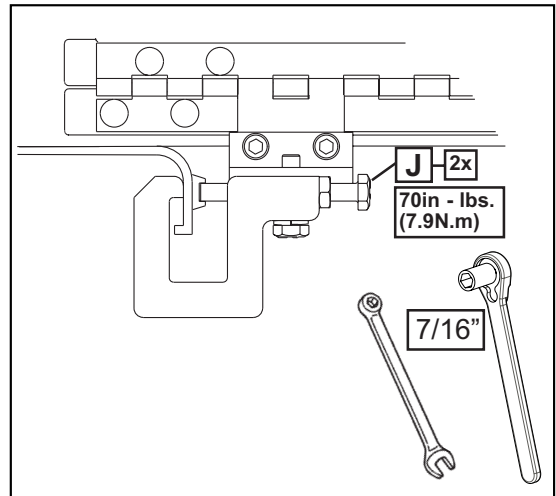
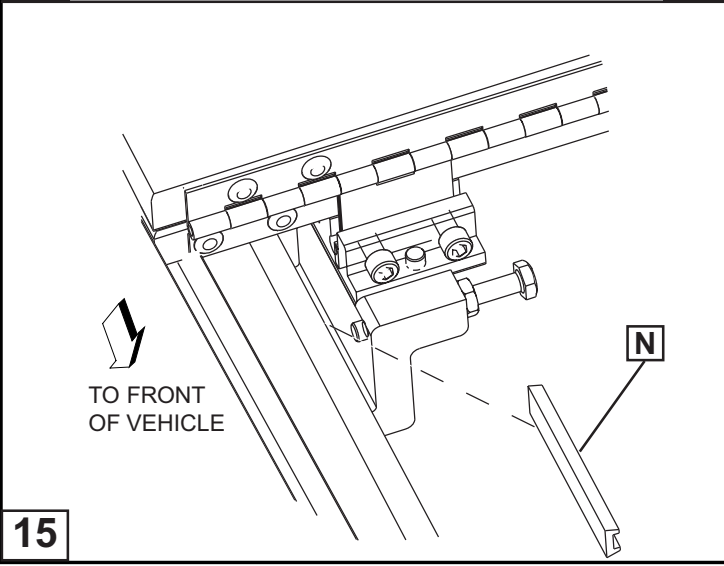
DO NOT FULLY TIGHTEN.

12



13

14



15

