

Fold a Cover[®] / LS series

Built for your lifestyle

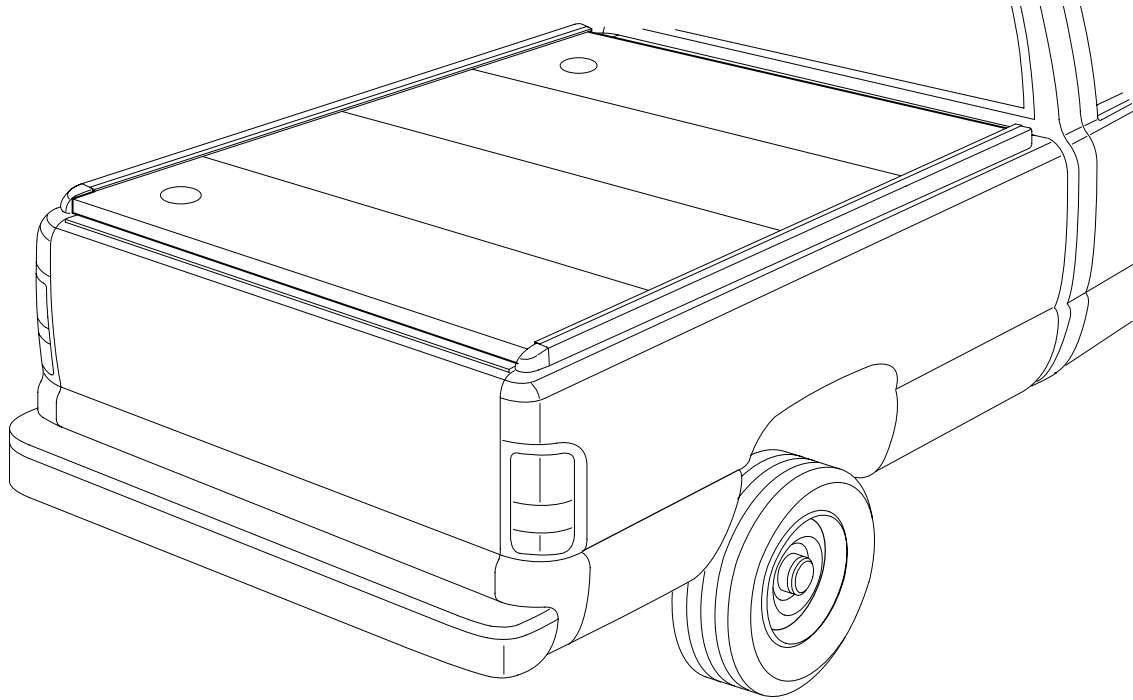
A Division of Steffens Enterprises, Inc.

4045 Karona Ct. • Caledonia, MI 49316

(616) 656-6886

Fax (616) 656-3771

HARD FOLDING TONNEAU COVER INSTALLATION INSTRUCTIONS - WITHOUT STAKE POCKETS.

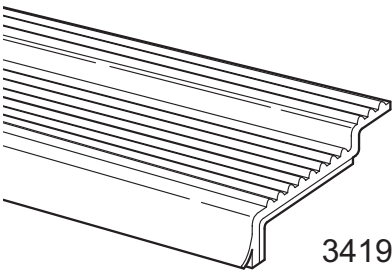
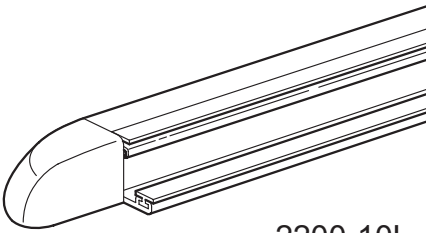
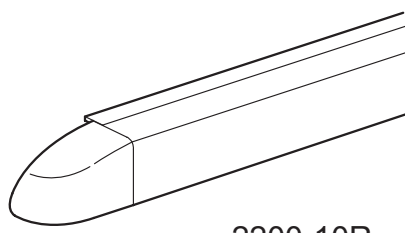
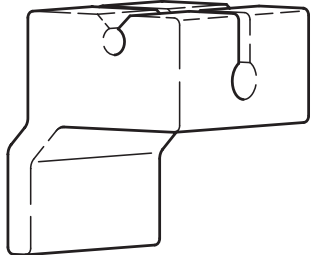
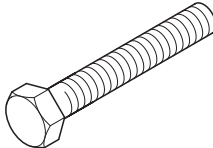
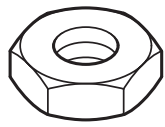
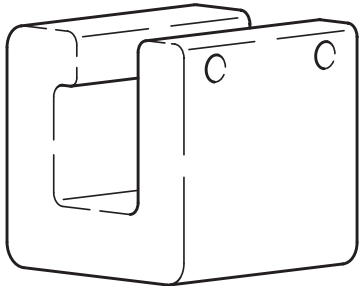
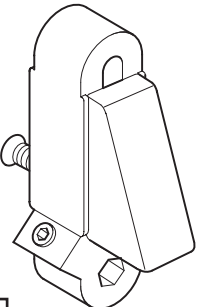
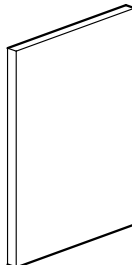
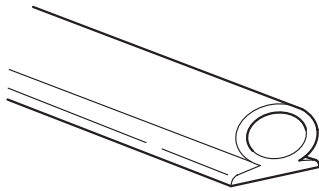



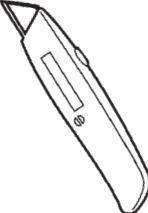

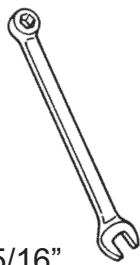



Notes to Installer:

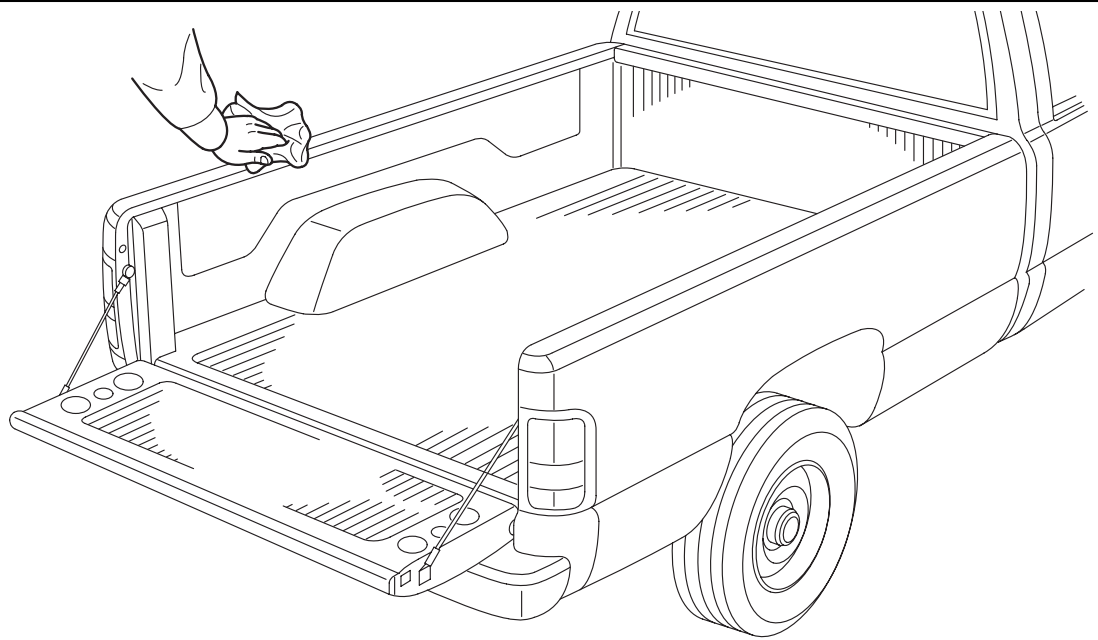
- Install Parts as shown on illustrations.
- Temperature should be no lower than 50° when installing.
- Be sure the truck is setting on a level surface.
- Apply a dab of lock tight to each fastener before use.
- Some trimming of bed liner may be required for proper fit and function.

Notes to customer:

- Record the key number and place in glove box or write it in your owner's manual.
- Refer to the Operation and Care Label located on the underside of the rearmost panel on cover (driver's side).

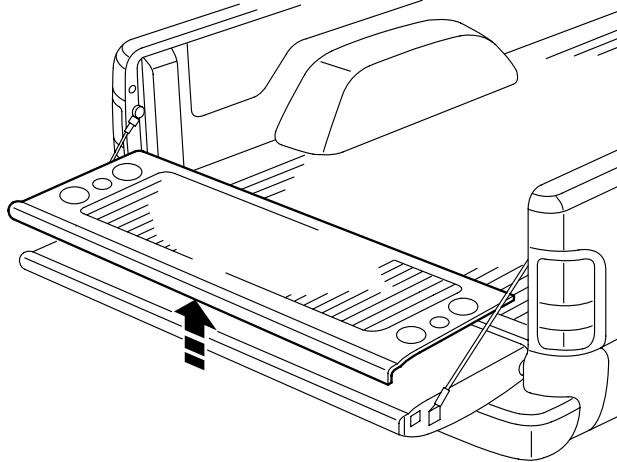
 <p>3419</p>	 <p>2200-10L</p>	 <p>2200-10R</p>				
<p>A</p>  <p>D 2x 2093-4</p>	<p>B *Located in hardware tube. All other parts in box.</p>  <p>E 6x 2058</p>	 <p>F 6x 2059</p>	<p>C *Located in hardware tube. All other parts in box.</p>  <p>G 2x 2061-3</p>			
 <p>H 4x 3345-20</p>	 <p>I 4x 3347-1</p>	 <p>J 3420 3/8 - 3/4 3435 1/8 - 3/8</p>				
		 <p>5/64"</p>			 <p>5/16" 3/8" 7/16"</p>	

A	3419	Latch Strip
B	2200-10L	Driver Side Rail
C	2200-10R	Passenger Side Rail
D	2093-4	Hinge Bracket
E	2058	#10-32 x 7/8 Hex Head S/S
F	2059	#10-32 Jam Nut S/S
G	2061-3	C-Clamp
H	3345-20	Rod End/Catch Post
I	3347-1	Wear Tape
J	3420/3435	D-Seal Large/D-Seal Short



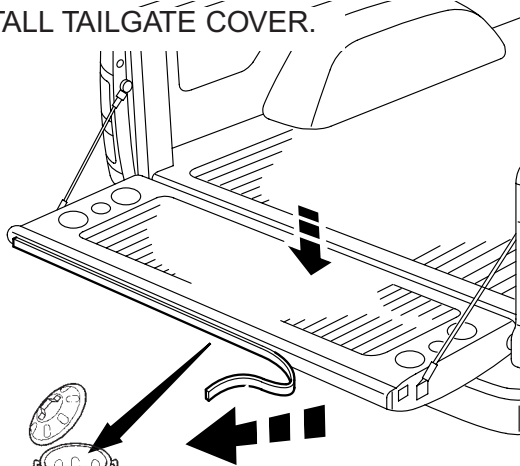
1

REMOVE TAILGATE COVER, IF EQUIPPED.



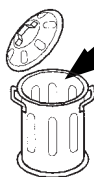
2

RE-INSTALL TAILGATE COVER.

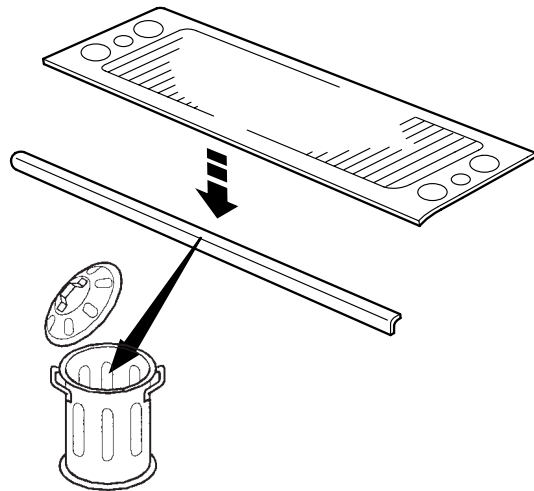


4

REMOVE TAILGATE WEAR STRIP, IF EQUIPPED.



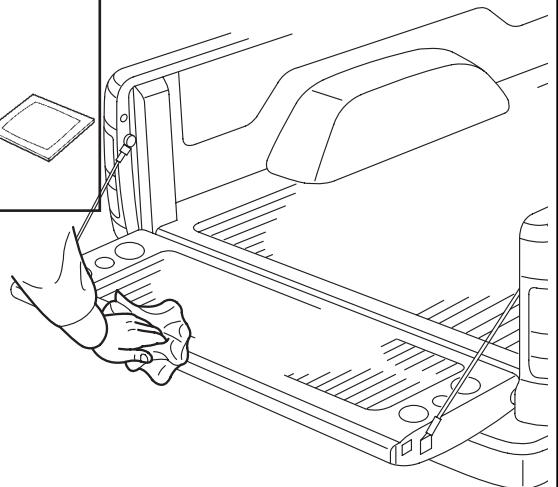
TRIM AND SMOOTH TOP EDGE OF COVER.



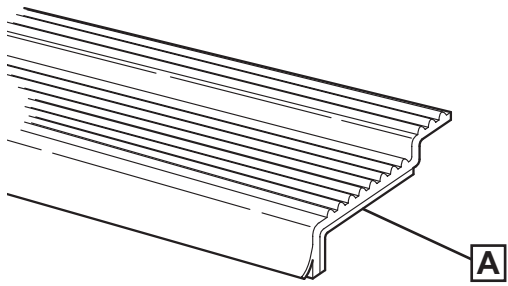
3



5

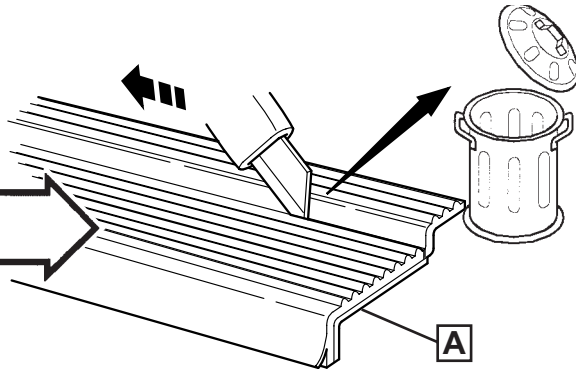


USE LATCH STRIP AS SHOWN FOR TRUCKS
EQUIPPED WITH TAILGATE COVER.

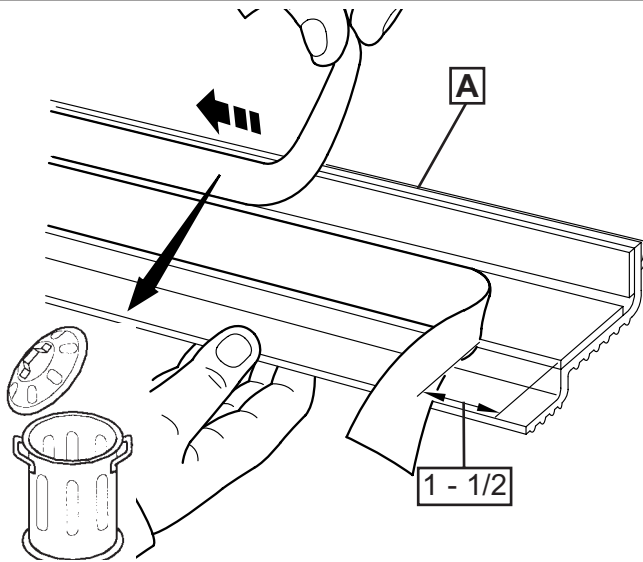


6

TRIM THE LATCH STRIP AS SHOWN FOR
TRUCKS WITHOUT TAILGATE COVER.

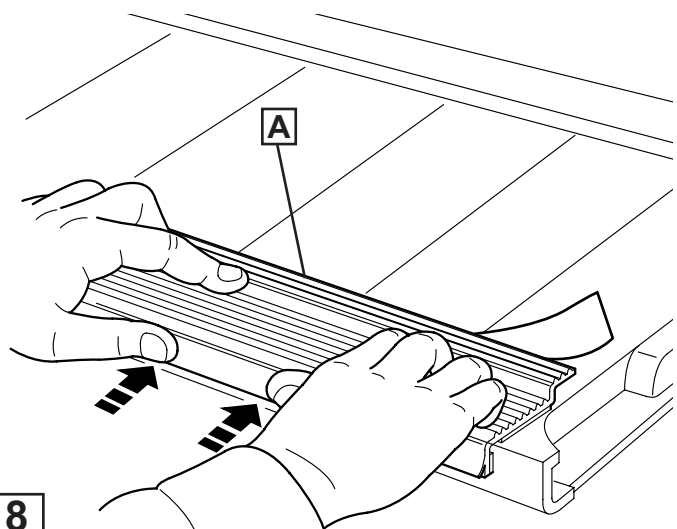


6A

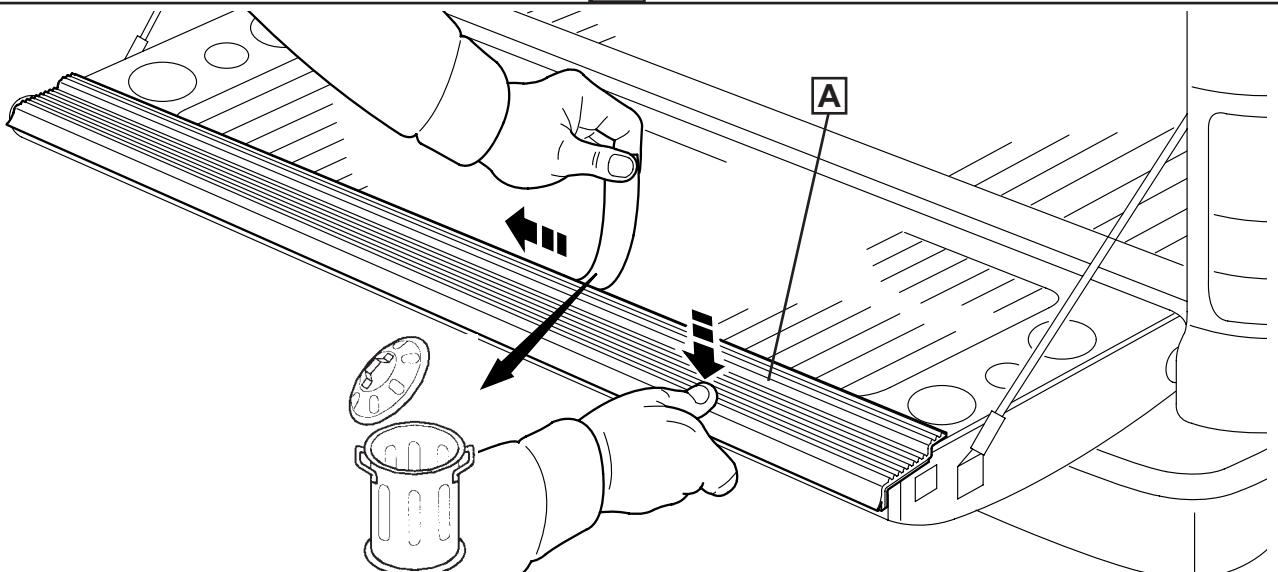


7

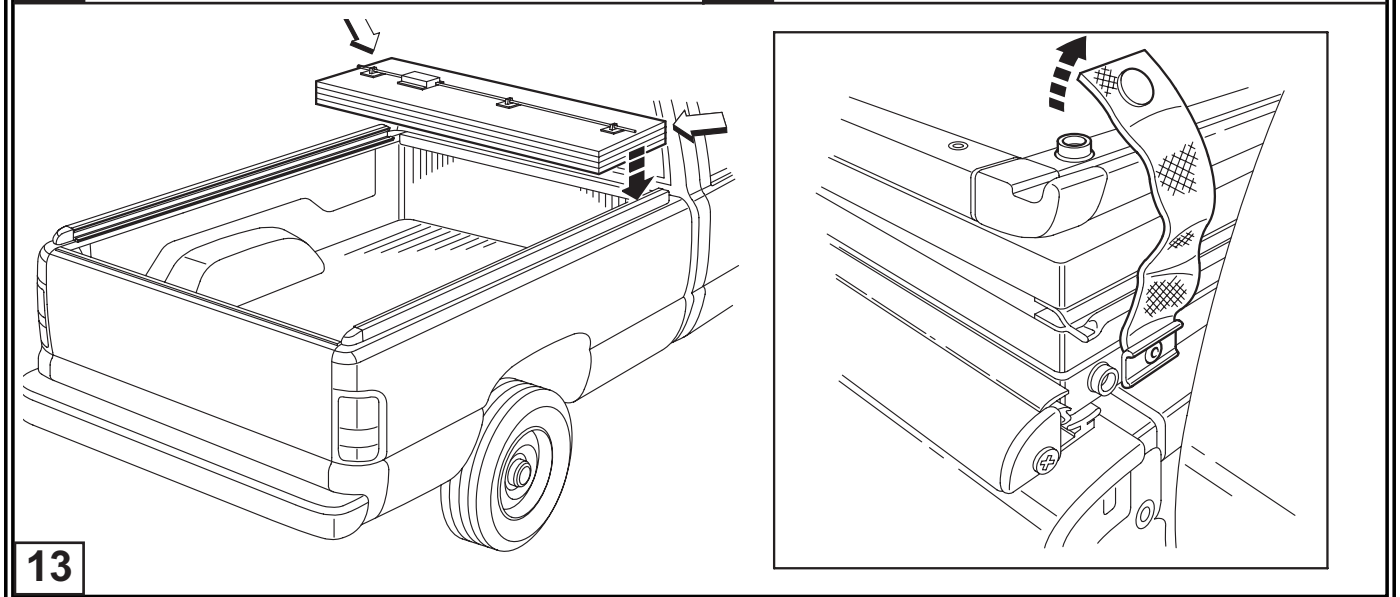
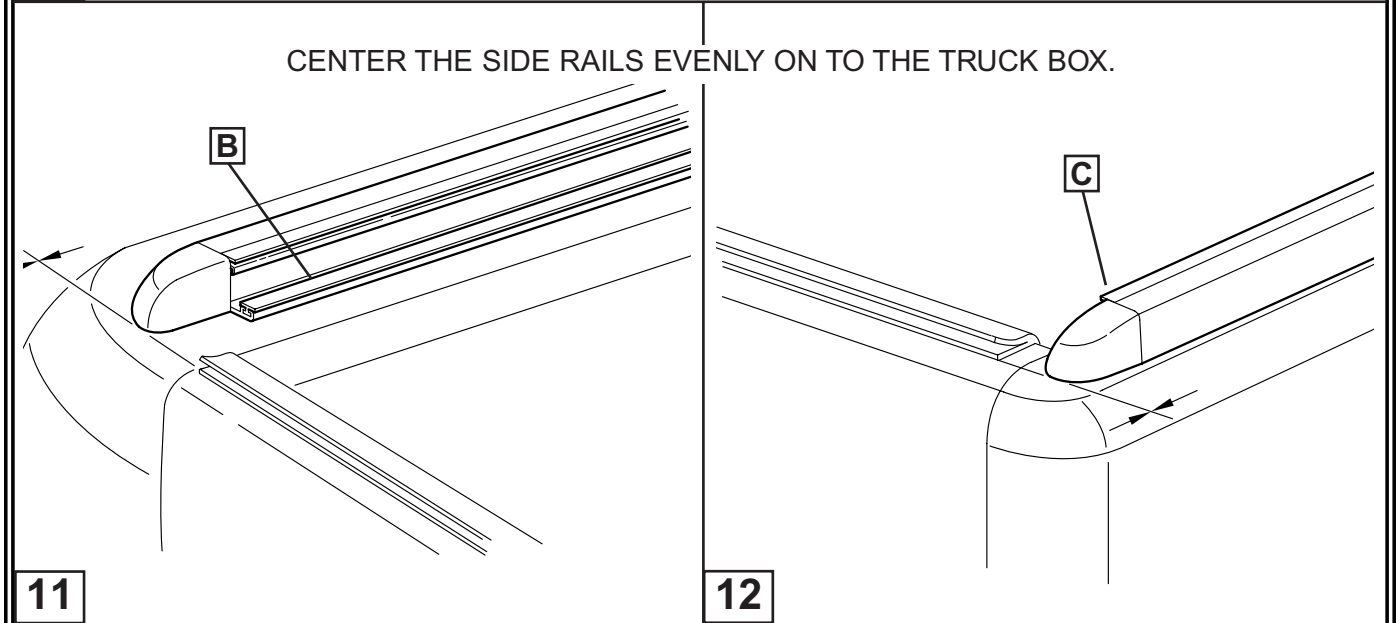
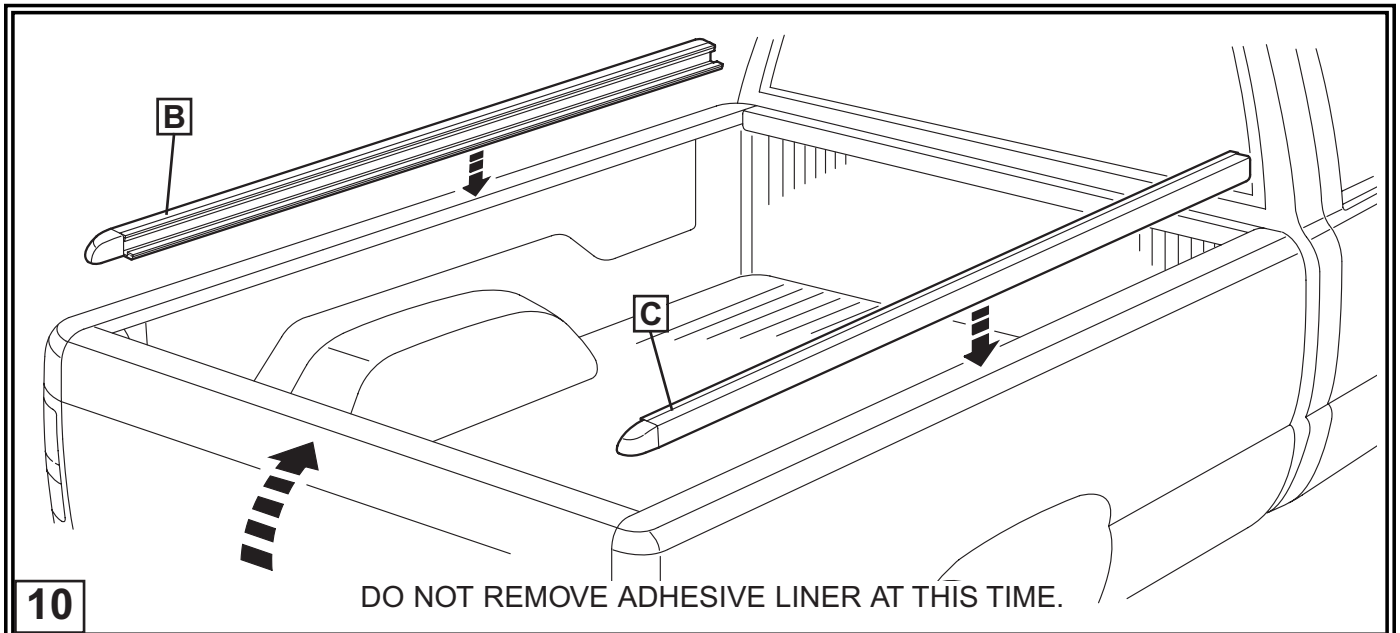
TRIM LATCH STRIP ENDS, IF NECESSARY,
TO MATCH THE TAILGATE ENDS.

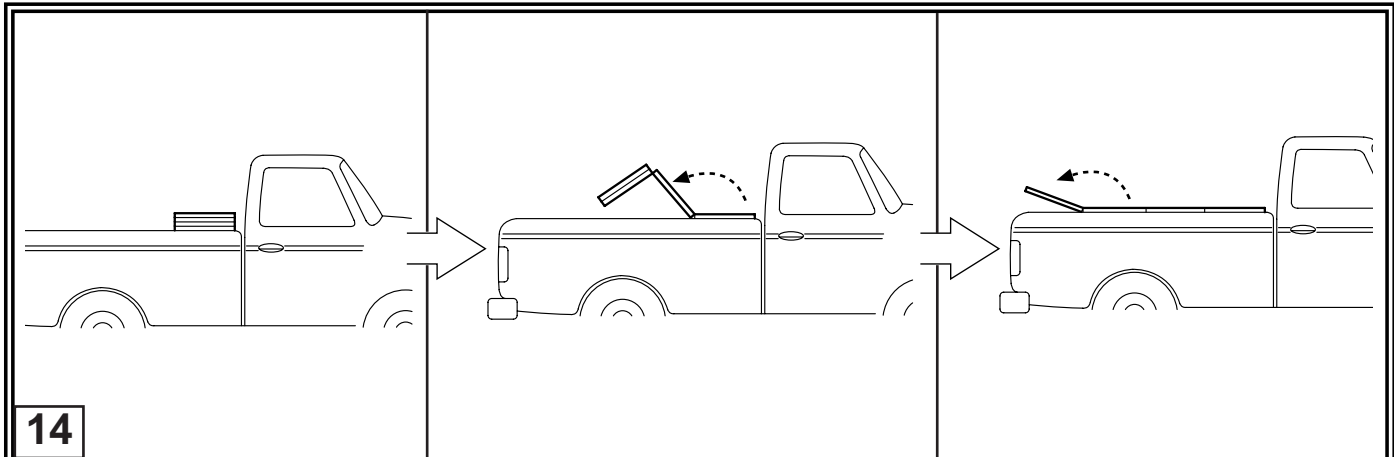


8



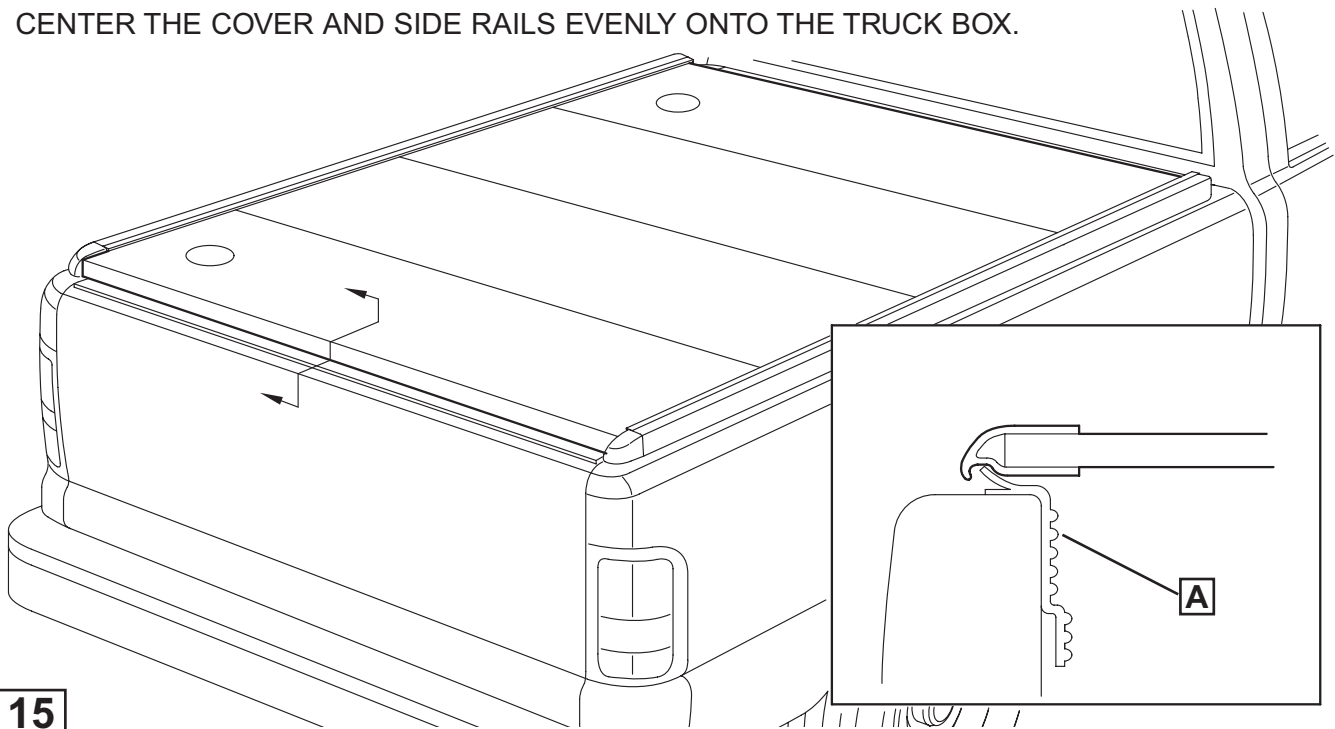
9



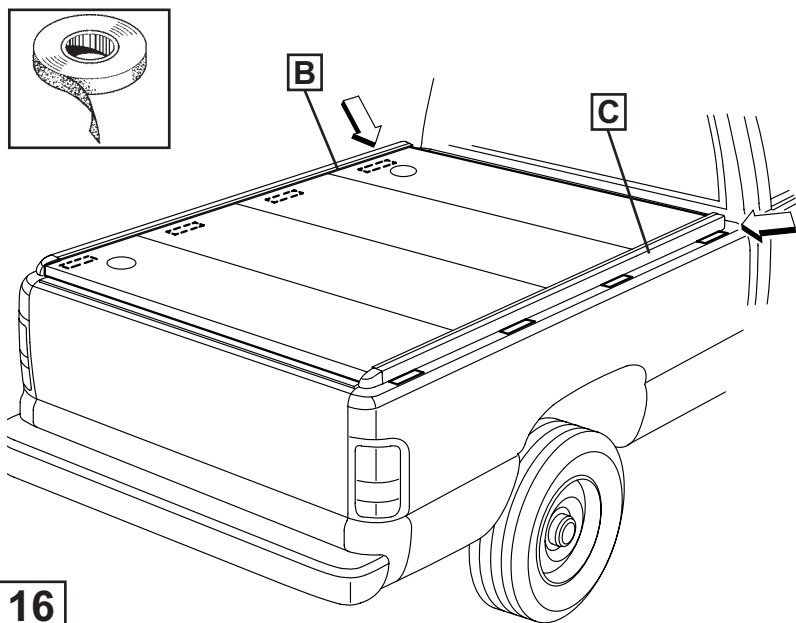


14

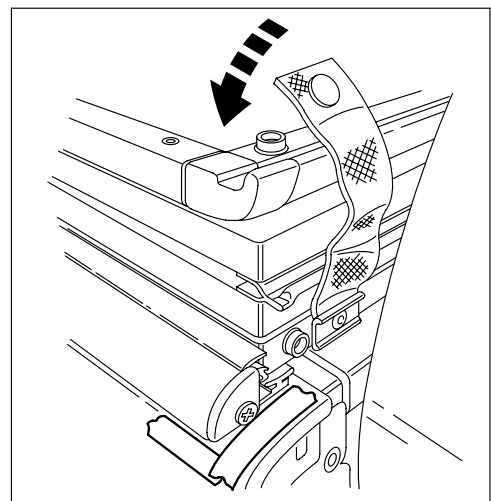
CENTER THE COVER AND SIDE RAILS EVENLY ONTO THE TRUCK BOX.



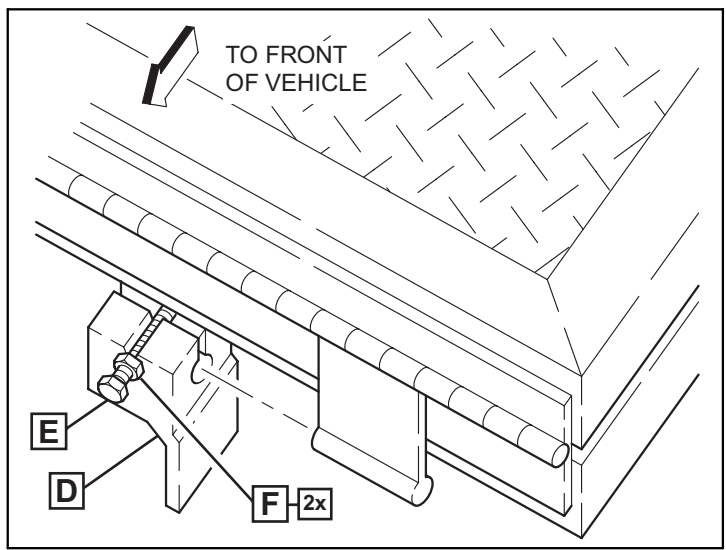
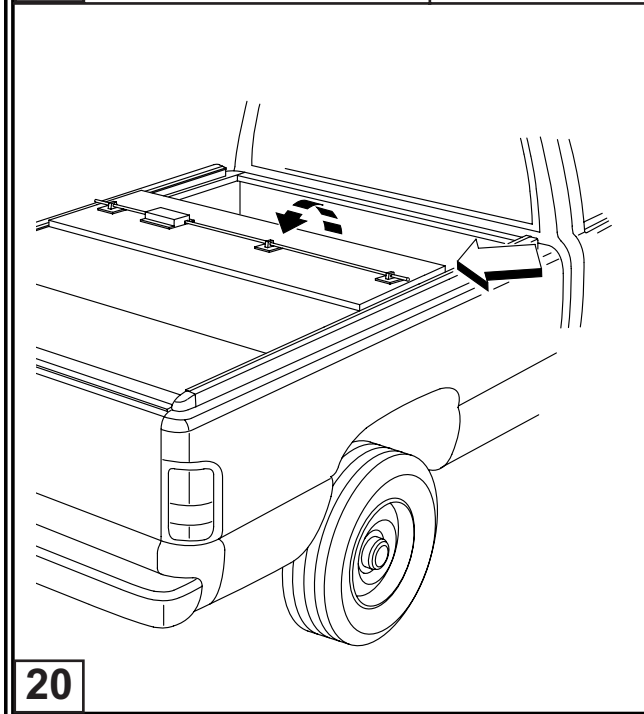
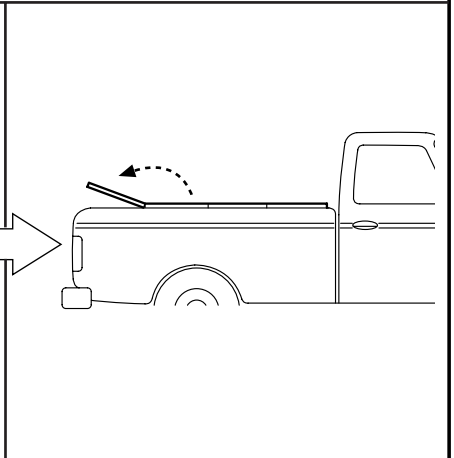
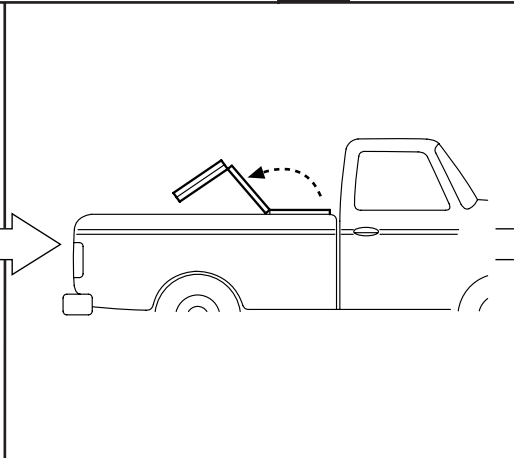
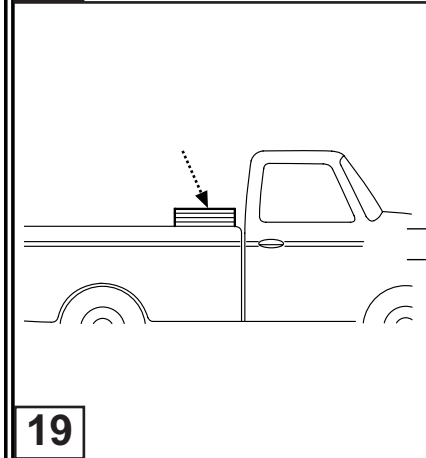
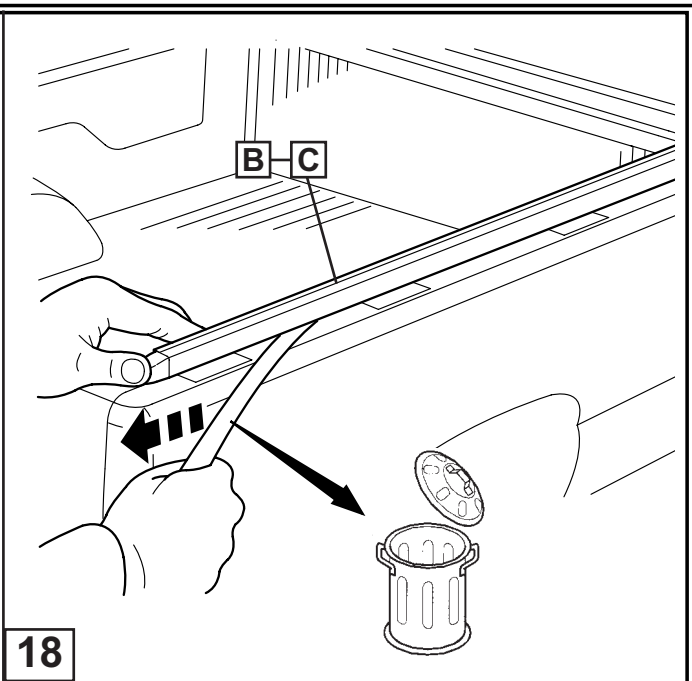
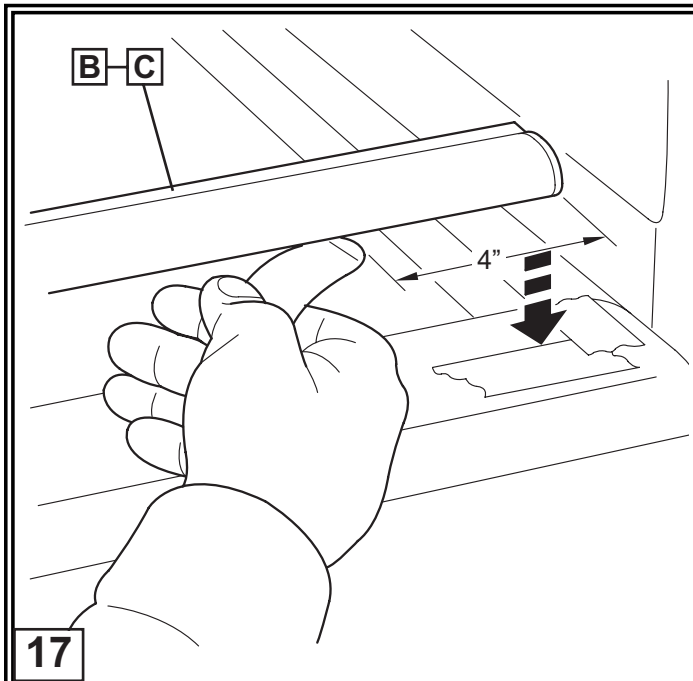
15



16

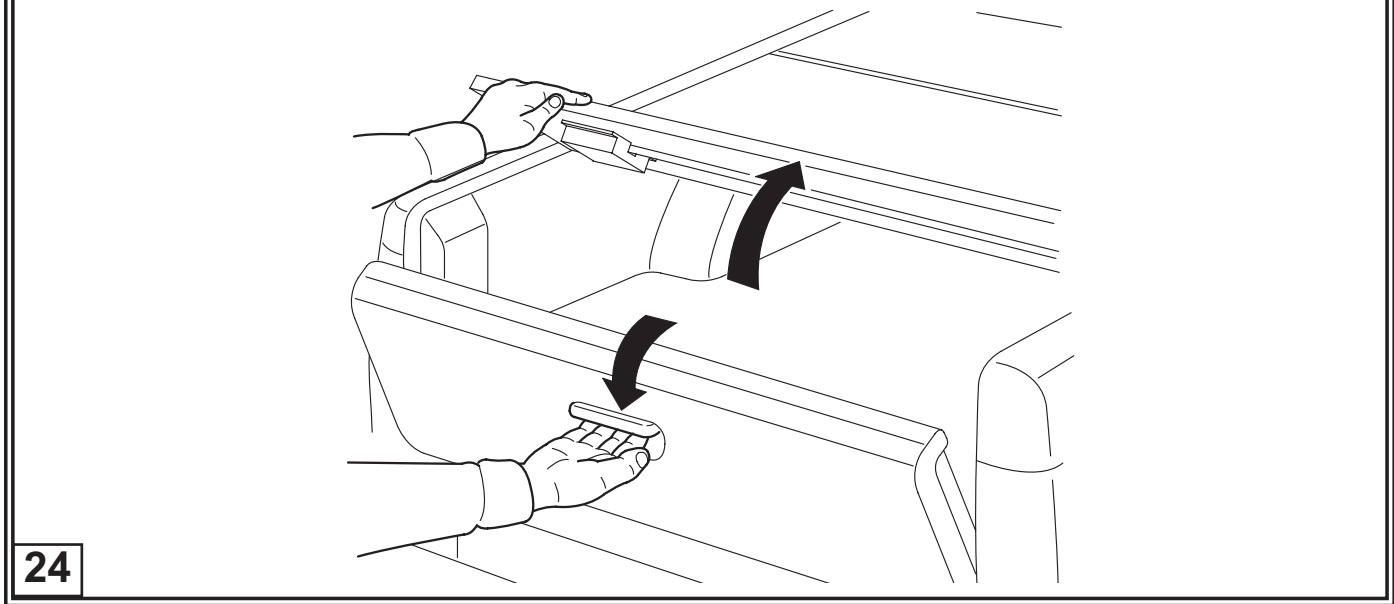
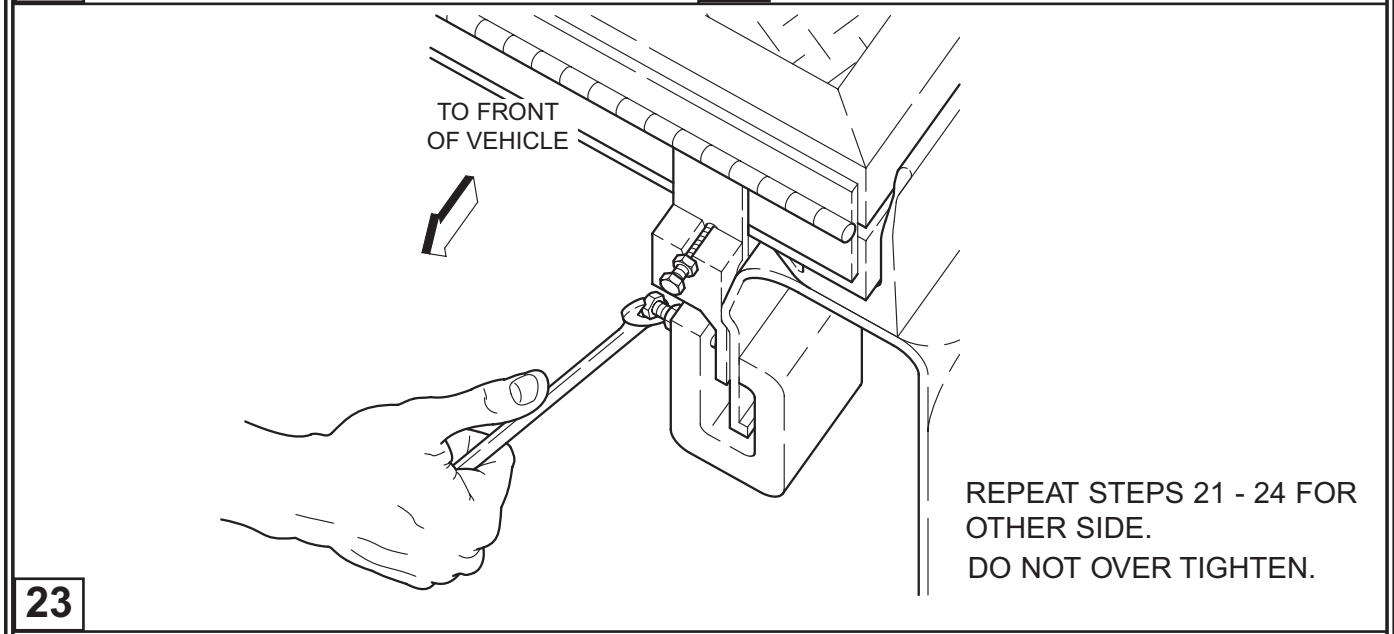
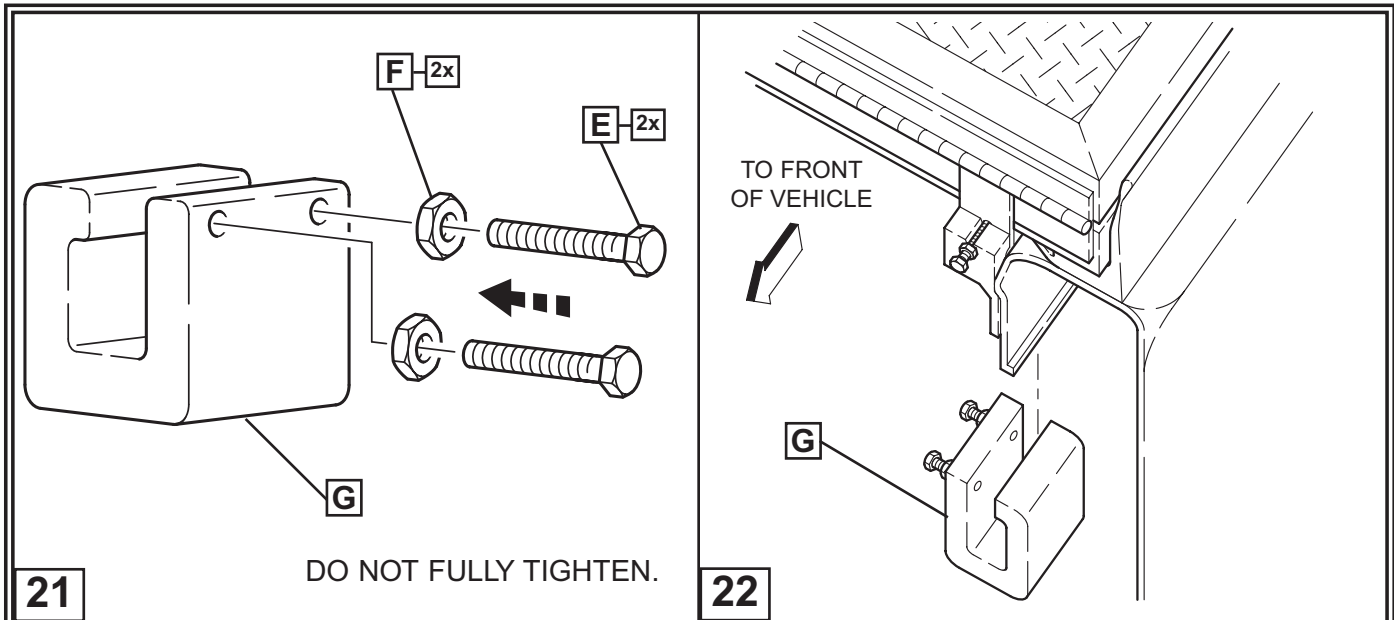


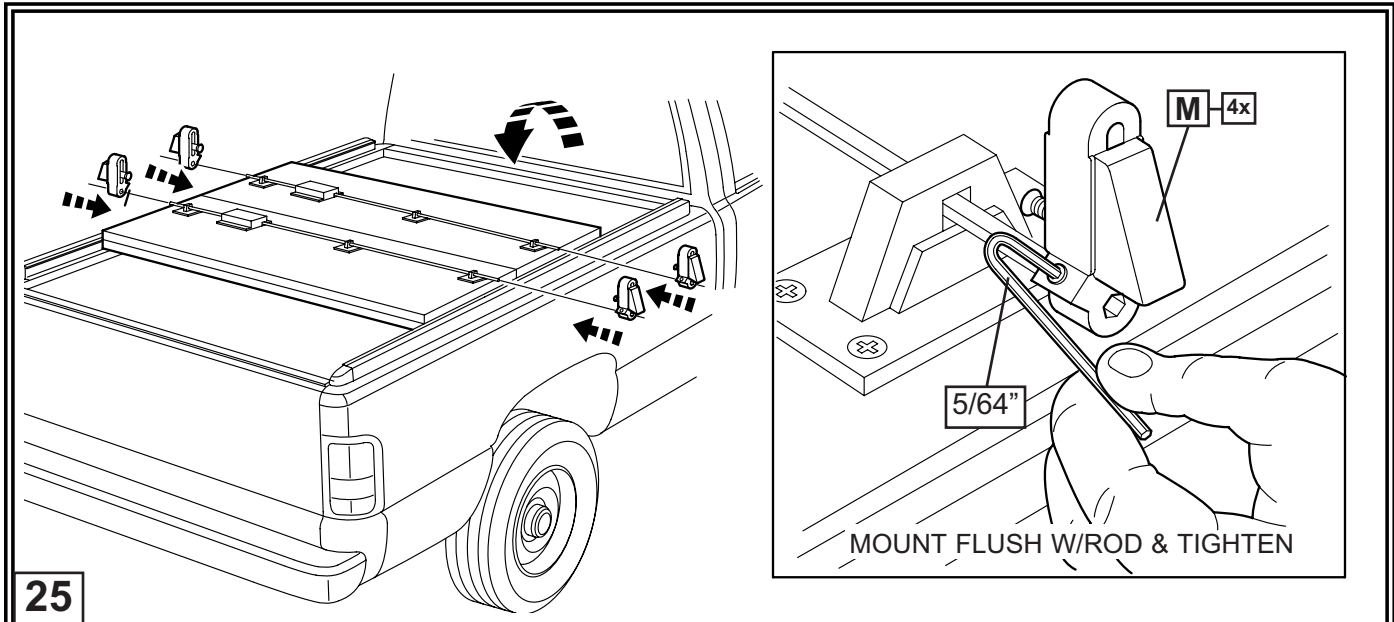
FOLD UP AND REMOVE THE COVER.



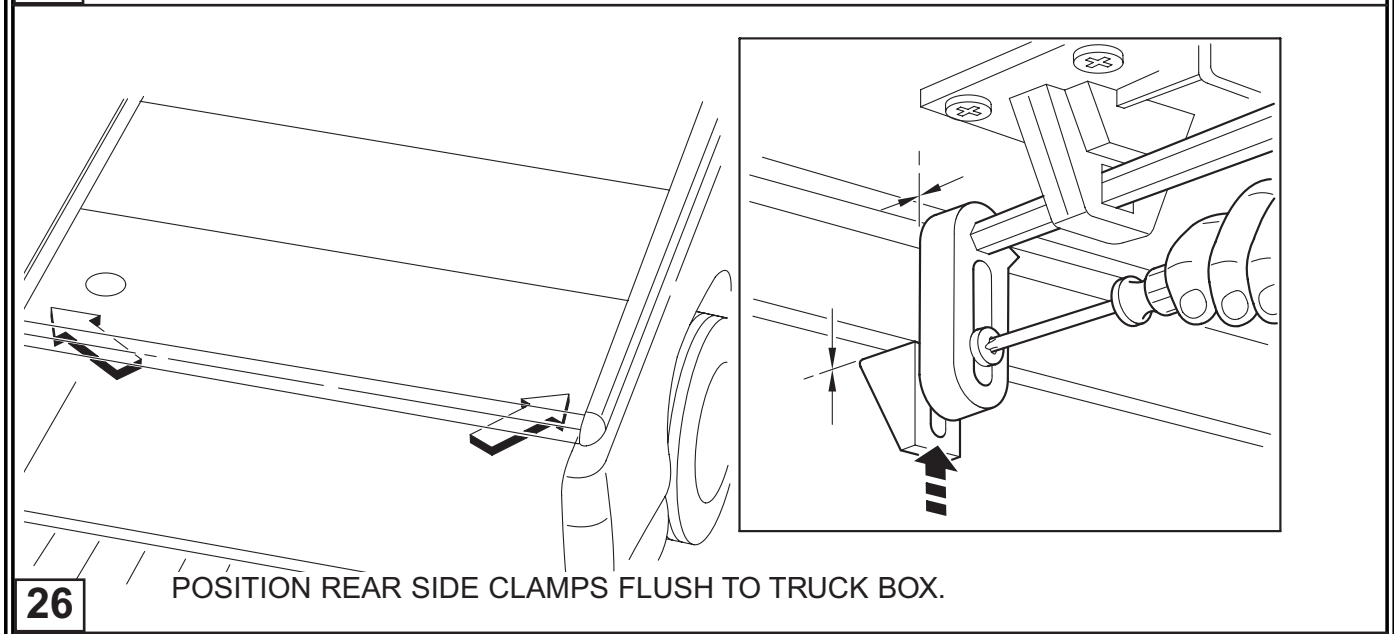
DO NOT FULLY TIGHTEN.

20



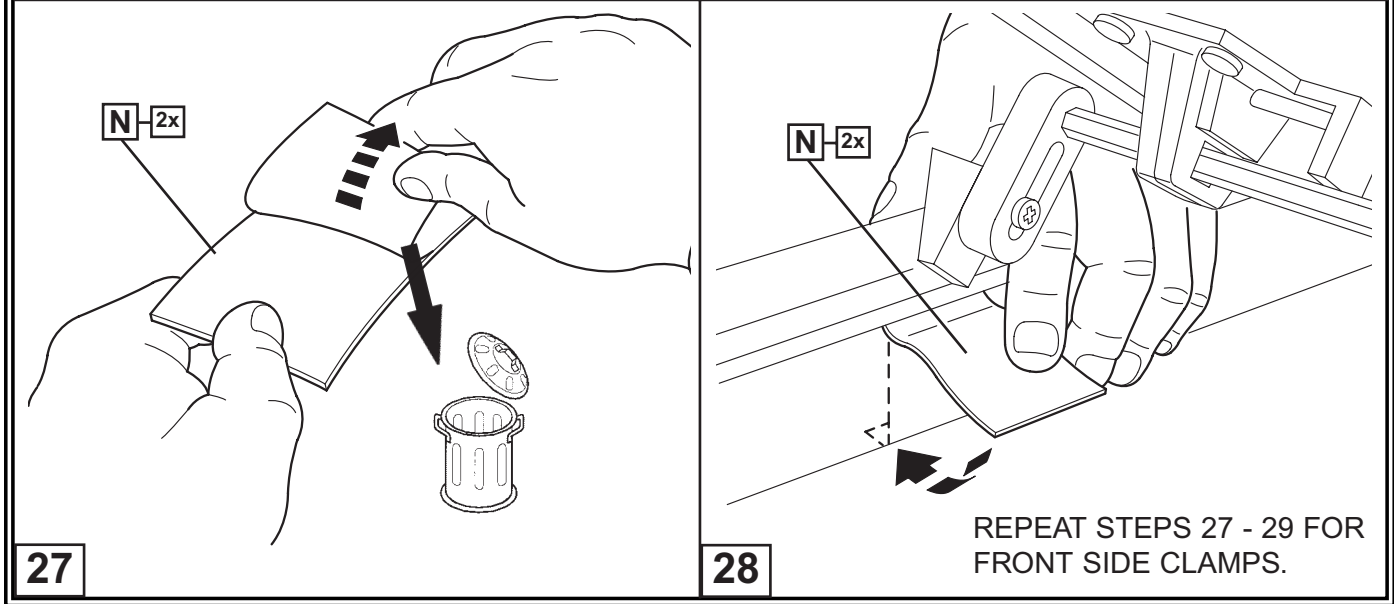


25



26

POSITION REAR SIDE CLAMPS FLUSH TO TRUCK BOX.



27

28

REPEAT STEPS 27 - 29 FOR FRONT SIDE CLAMPS.

