

Fold a Cover[®] / LS series

Built for your lifestyle

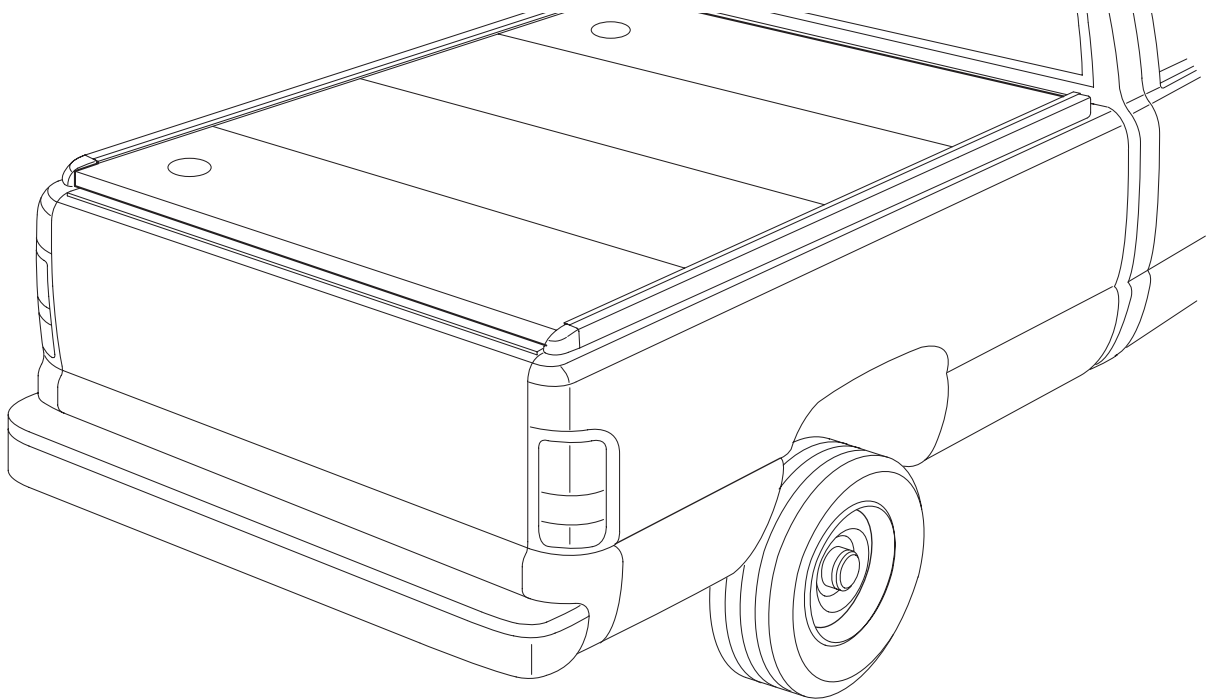
A Division of Steffens Enterprises, Inc.

4045 Karona Ct. • Caledonia, MI 49316

(616) 656-6886

Fax (616) 656-3771

HARD FOLDING TONNEAU COVER INSTALLATION INSTRUCTIONS

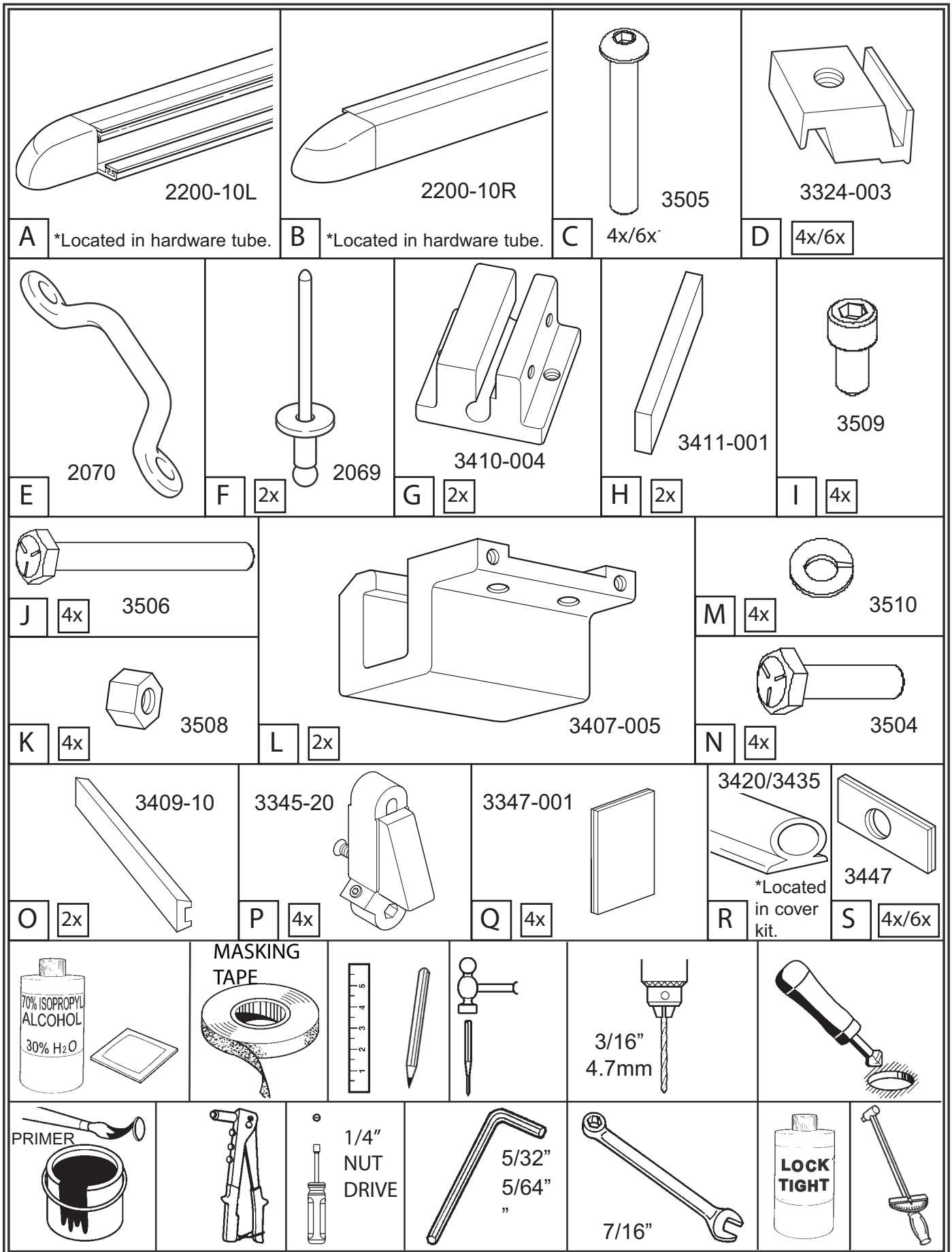


Notes to Installer:

- **For Dodge Application: skip pages 4-7**
- Install Parts as shown on illustrations.
- Temperature should be no lower than 50° when installing.
- Be sure the truck is setting on a level surface.
- Apply a dab of lock tight to each fastener before use.
- Some trimming of bed liner may be required for proper fit and function.

Notes to customer:

- Record the key number and place in glove box or write it in your owner's manual.
- Refer to the Operation and Care Label located on the underside of the rearmost panel on cover (driver's side).



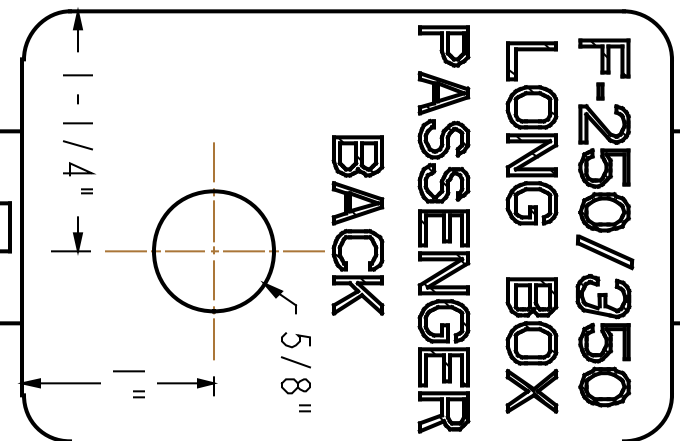
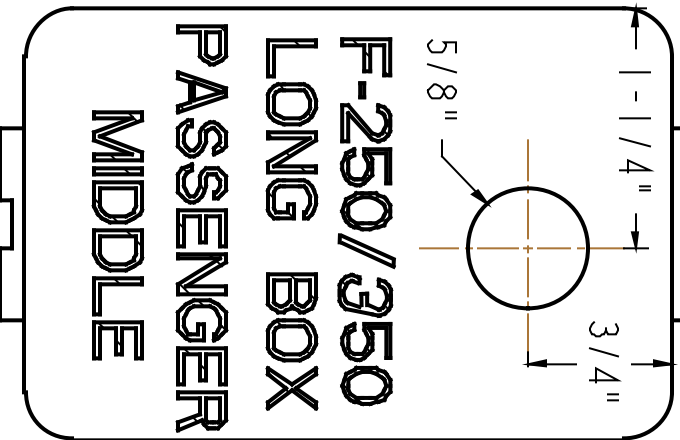
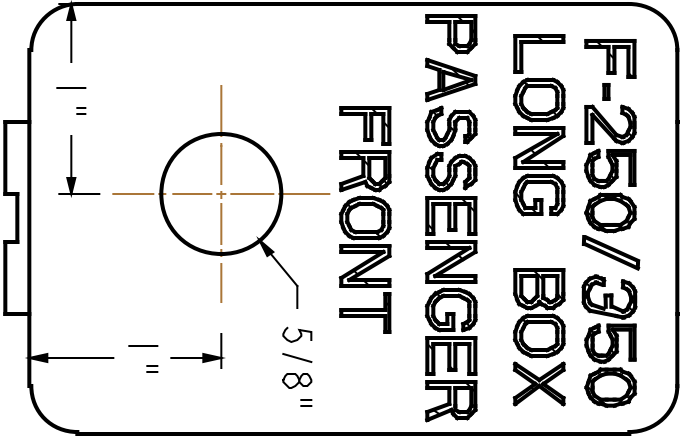
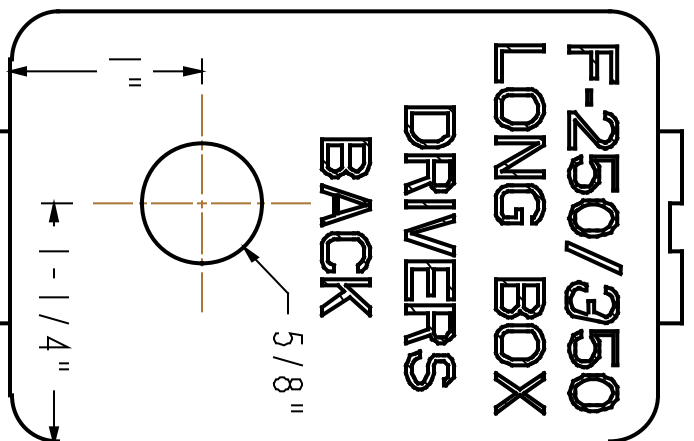
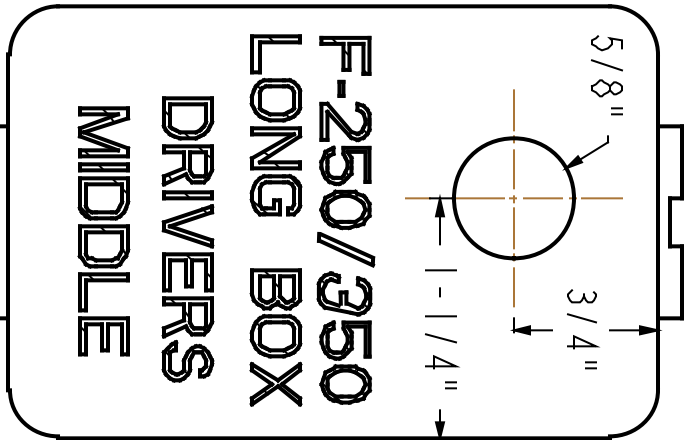
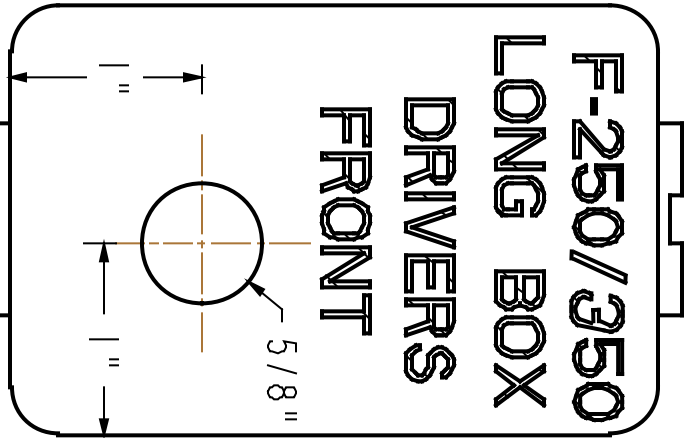
	PART NUMBER	DESCRIPTION
A	2200-10L	LH Wind Seal
B	2200-10R	RH Wind Seal
C	3505	1/4-20 X 1 3/4 BHCS
D	3324-003	Stake Pocket Nut
E	2070	Footman's Loop S/S
F	2069	Pop Rivet S/S 3/16 x 3/4
G	3410-004	Hinge Bracket
H	3411-001	Shim - Hinge Bracket
I	3509	#10-32 X 1/2 SHCS
J	3506	1/4-20 X 2 1/4 HHCS
K	3508	1/4-20 Jam Nut
L	3407-005	Clamp Bracket
M	3510	1/4 Lock Washer
N	3504	1/4-20 X 1 HHCS
O	3409-10	Shim - Clamp Bracket
P	3345-20	Rod End Assembly
Q	3347-001	Wear Tape
R	3420	D-Seal 3/4"
R	3435	D-Seal 3/8"
S	3447	Support Washer S/S

For Dodge Application: Skip Pages 4-7

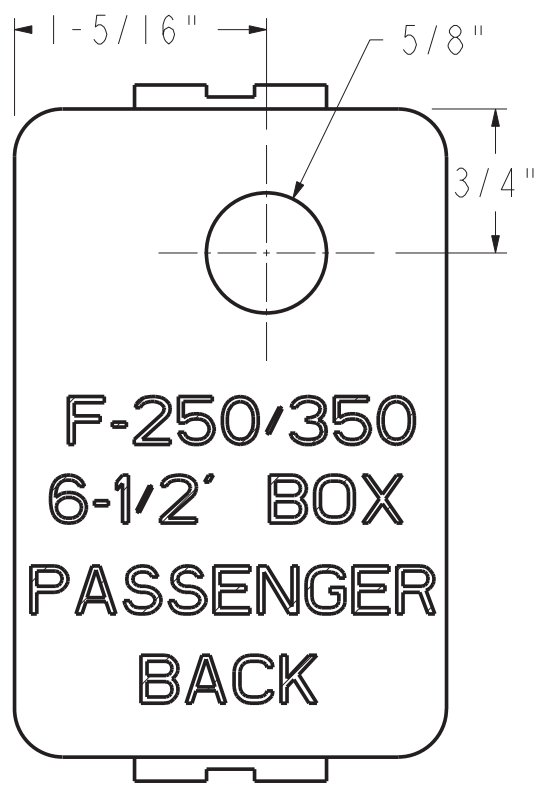
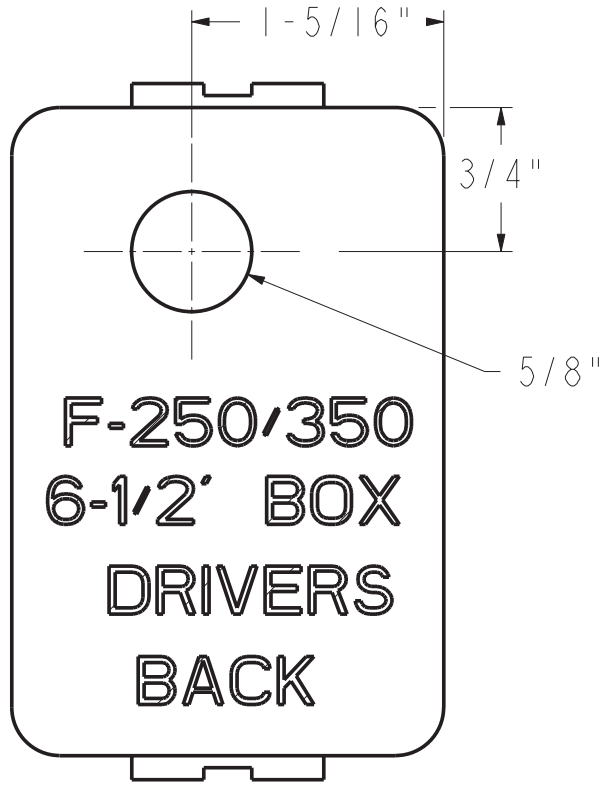
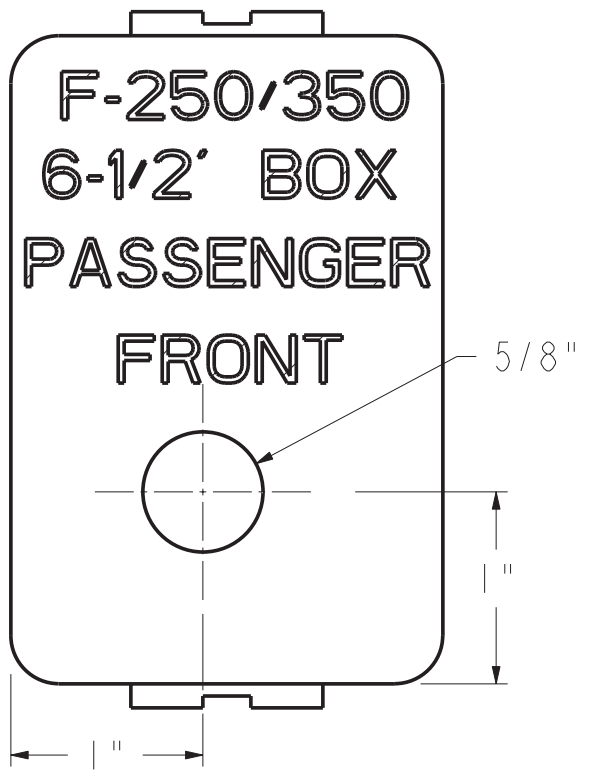
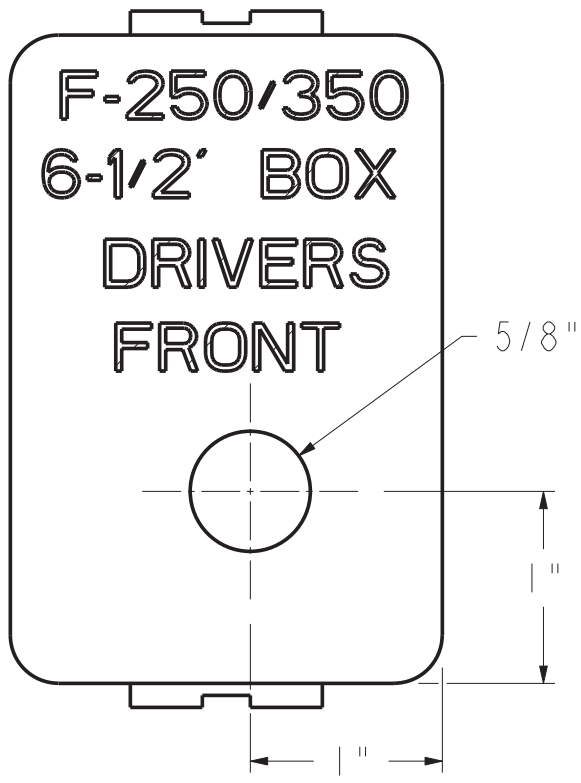
TEMPLATE:

USE THIS TEMPLAT E TO MARK THE EXACT LOCATION.

F-250 / 350 8' Box

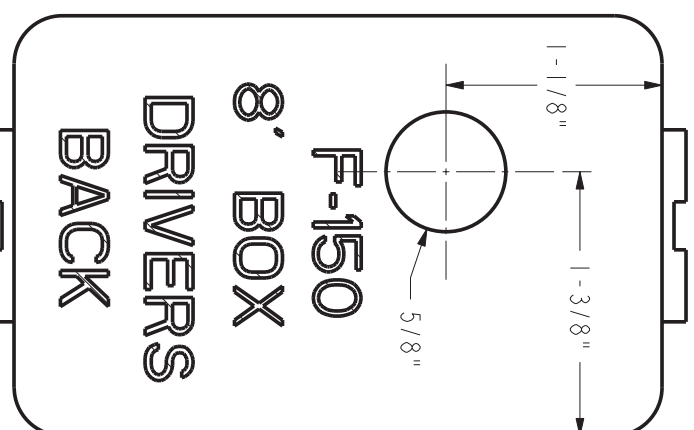
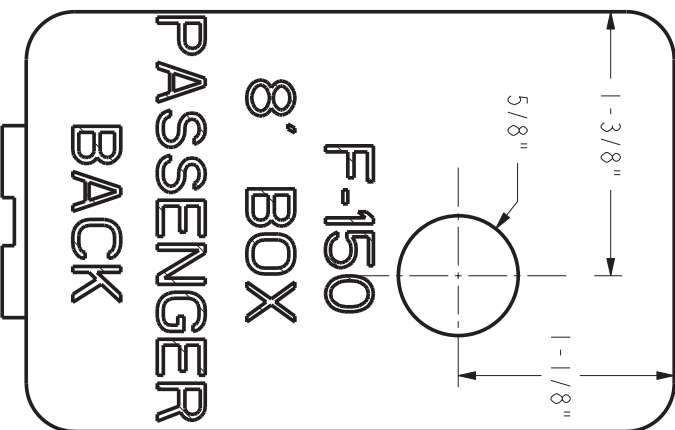
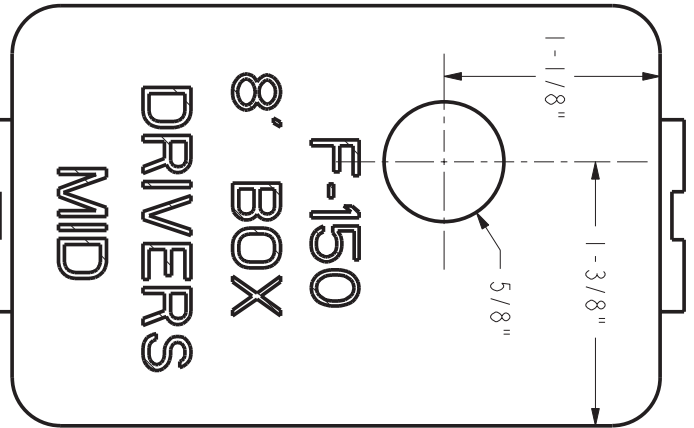
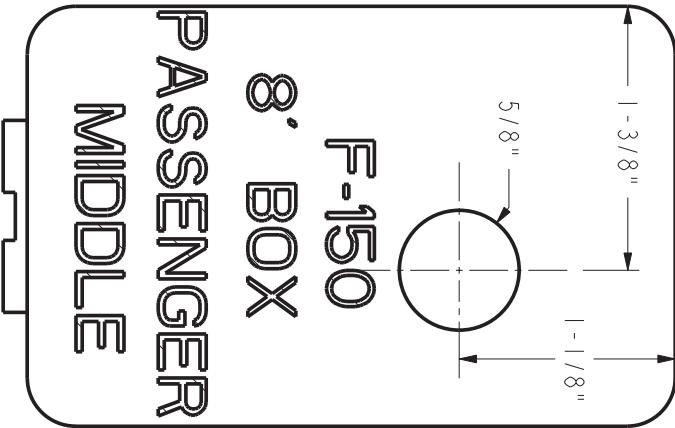
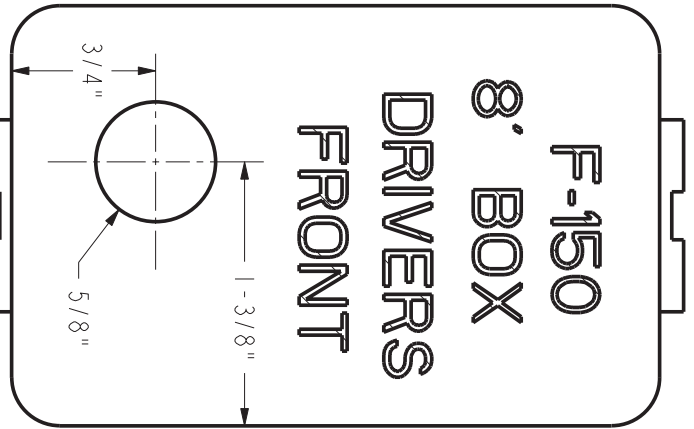
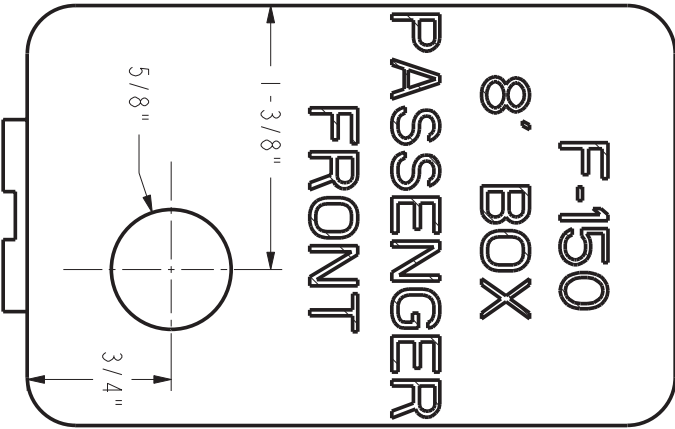


TEMPLATE:
USE THIS TEMPLATE TO MARK THE EXACT LOCATIONS
ON THE F-250/350 6-1/2' BOX

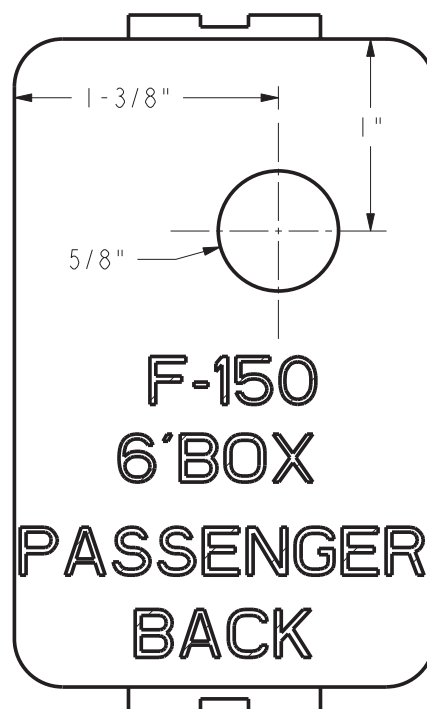
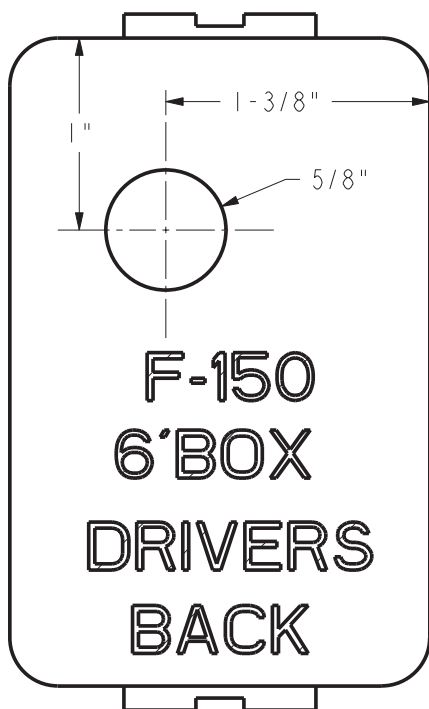
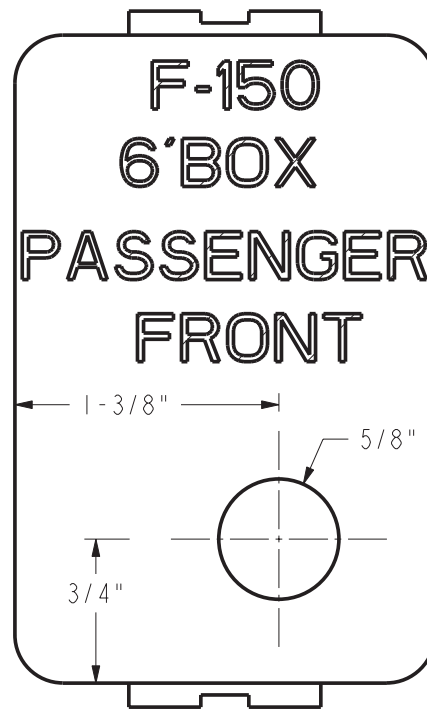
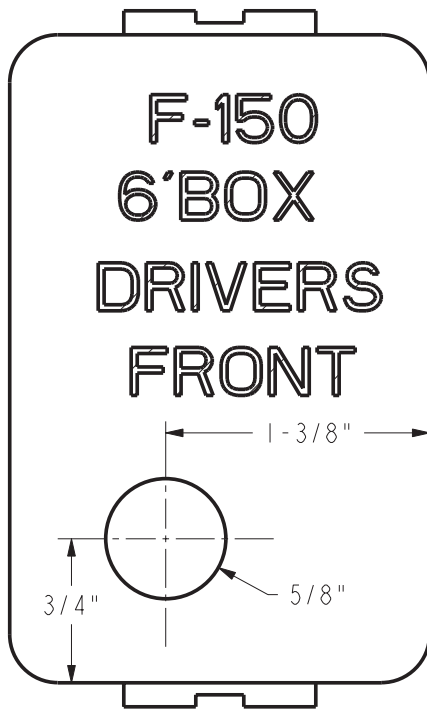


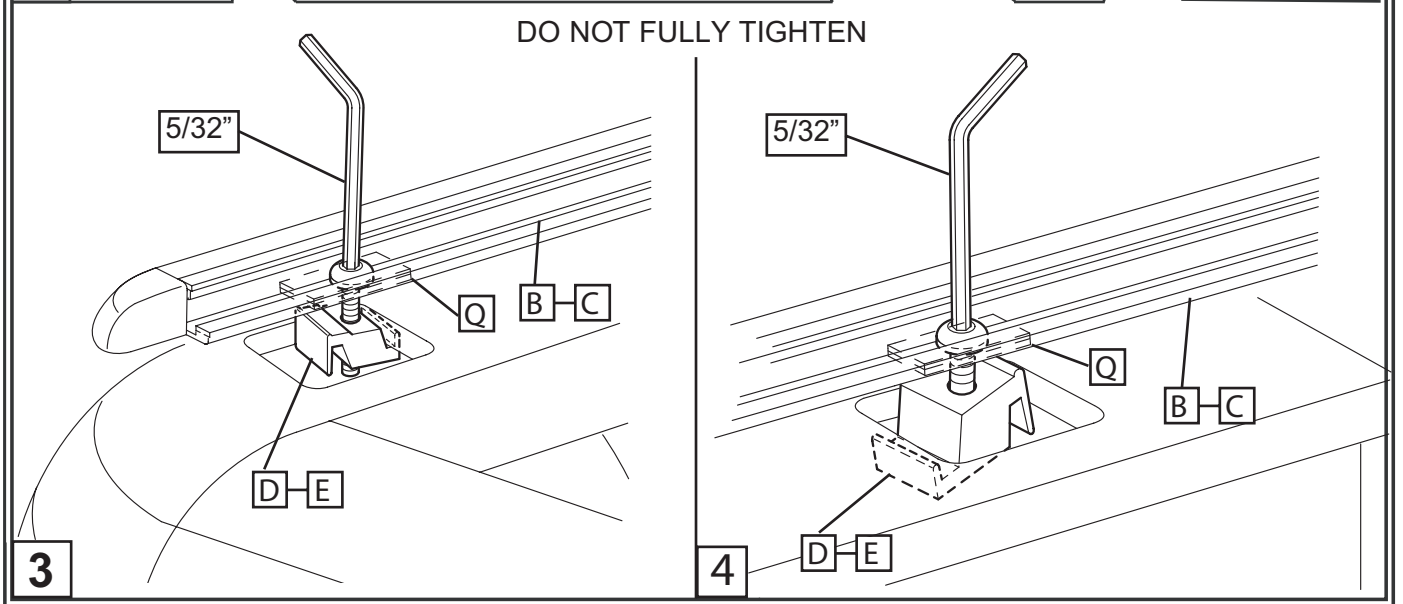
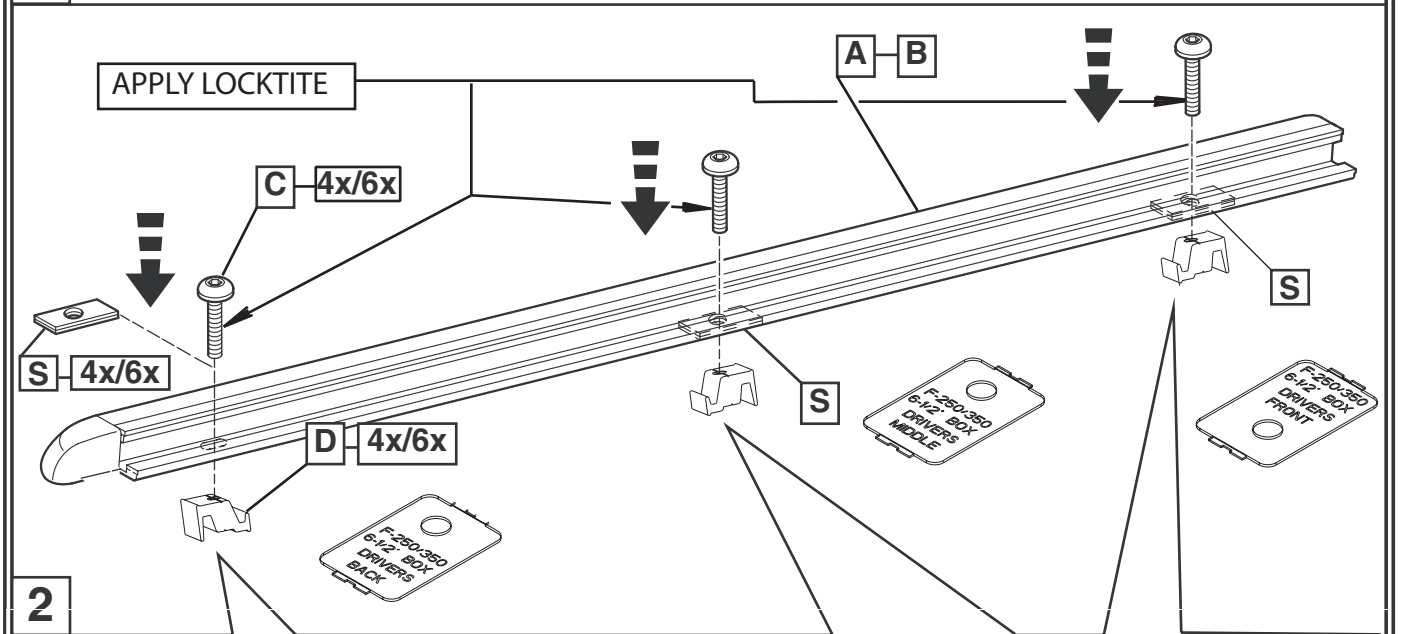
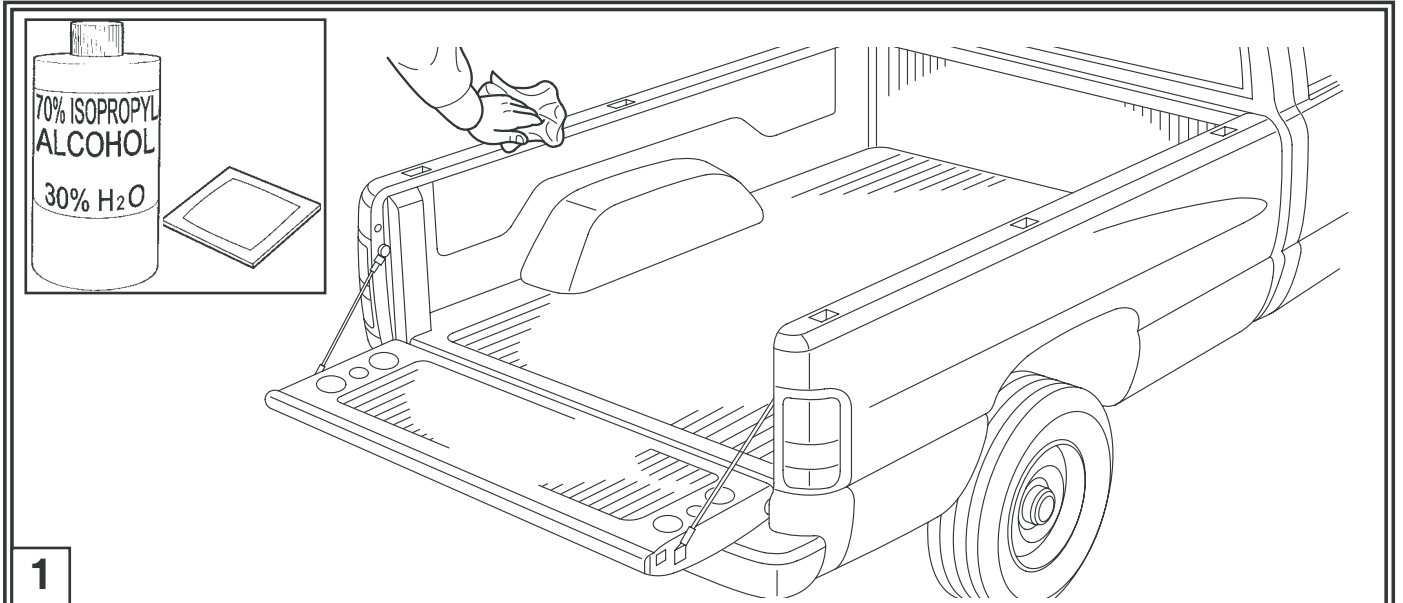
TEMPLATE:

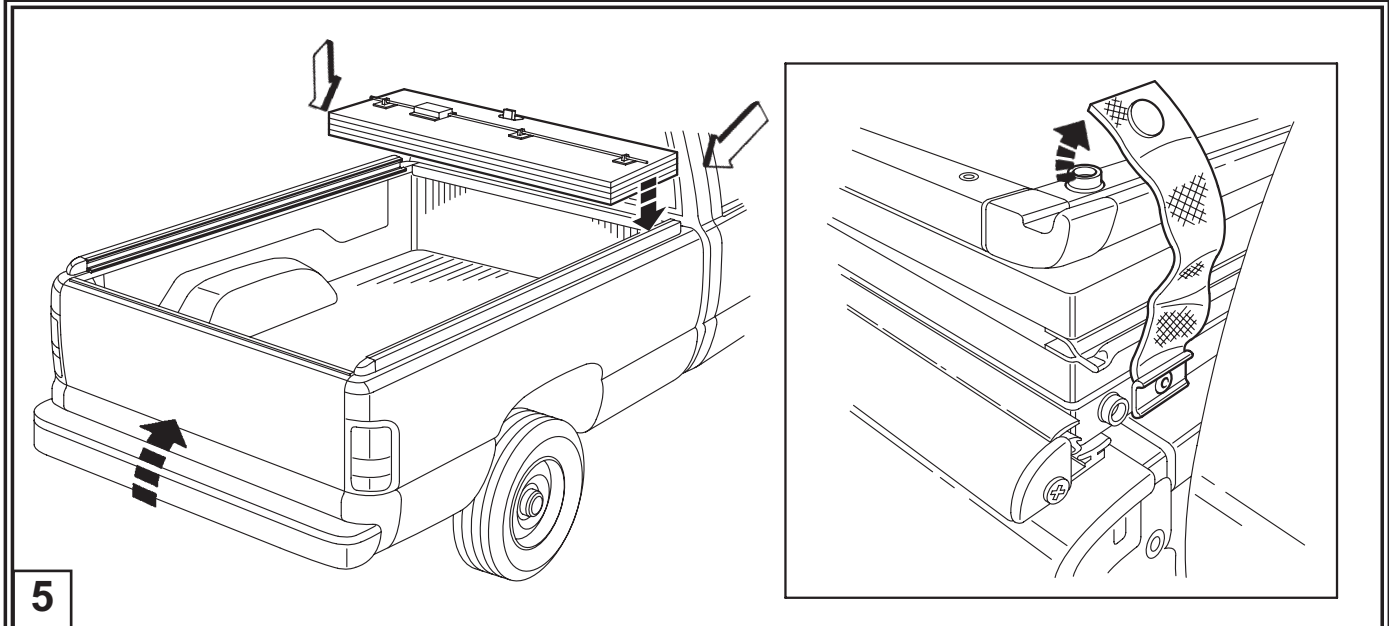
USE THIS TEMPLATE TO MARK THE EXACT LOCATION.
FOR THE F-150 8' BOX



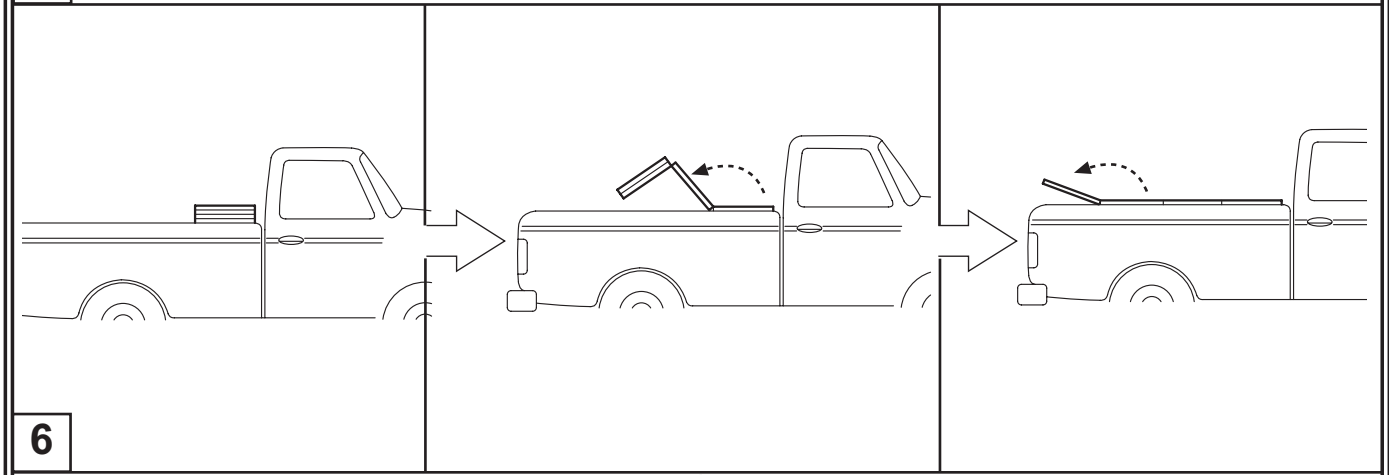
TEMPLATE:
USE THIS TEMPLATE TO MARK THE EXACT LOCATIONS.
FOR YOUR F-150 6' BOX



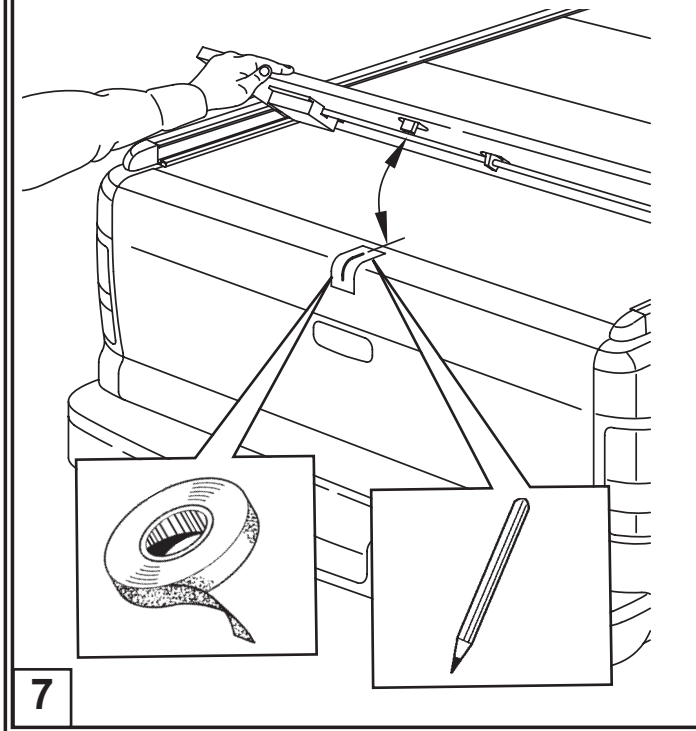




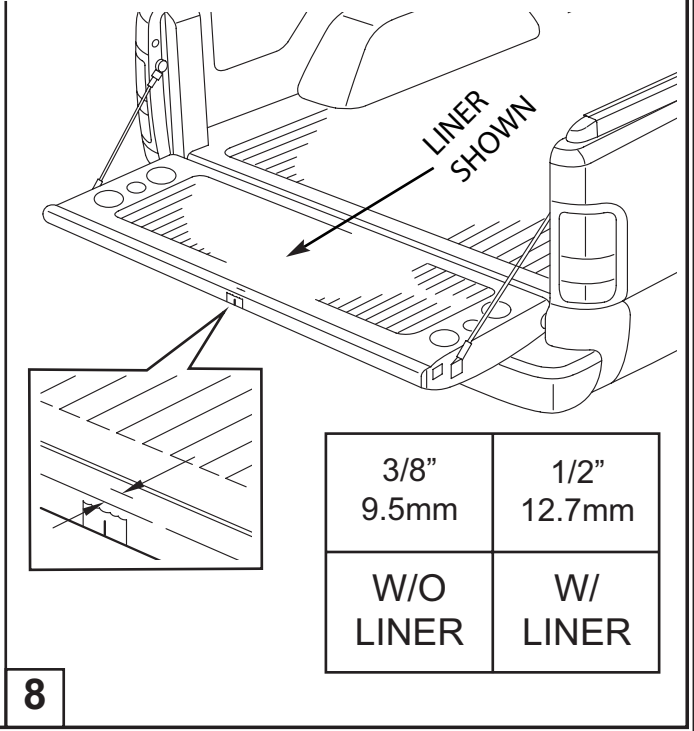
5



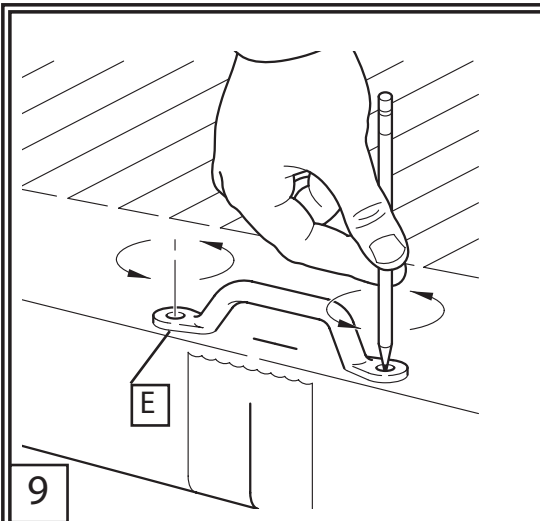
6



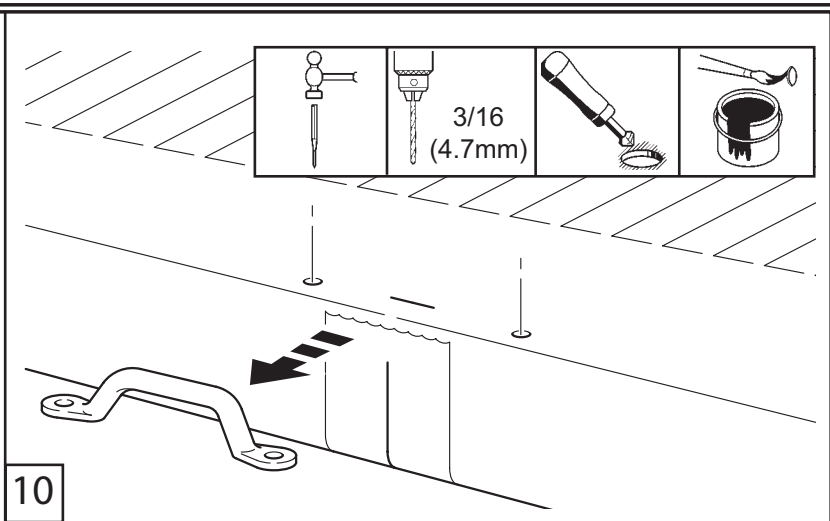
7



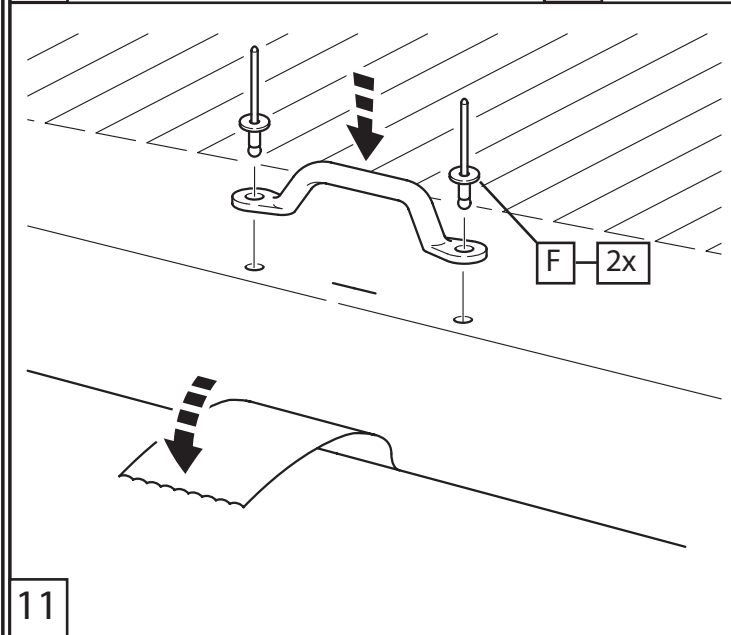
8



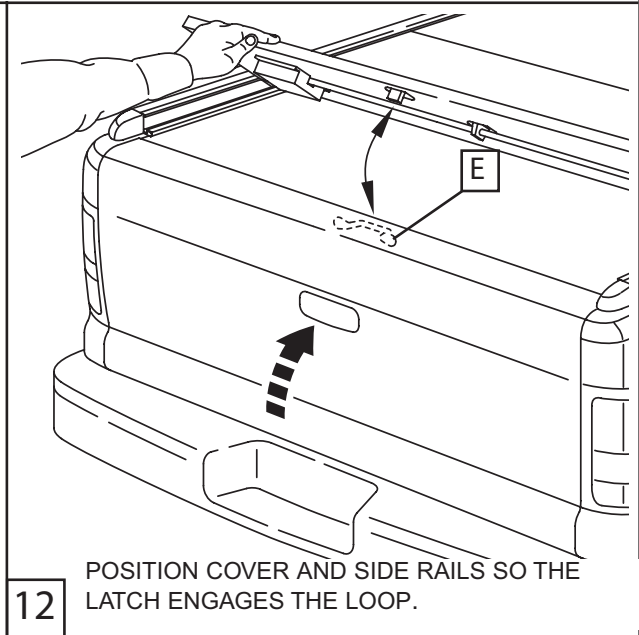
9



10

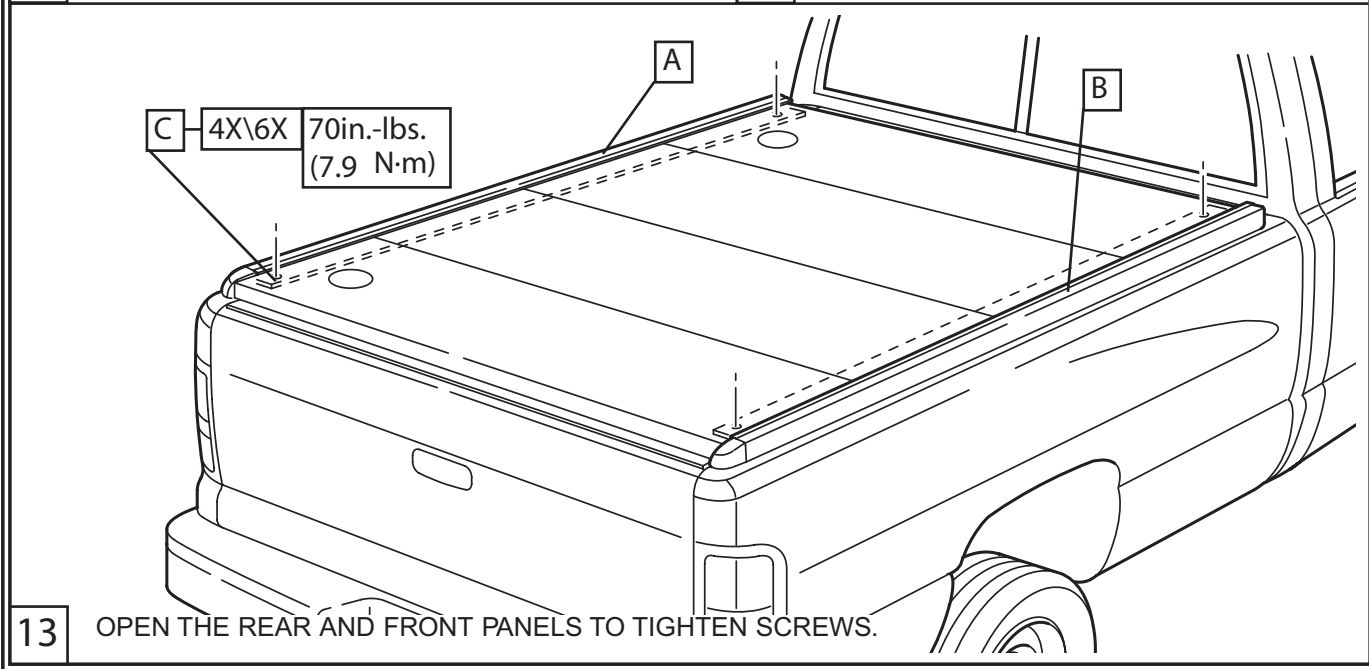


11



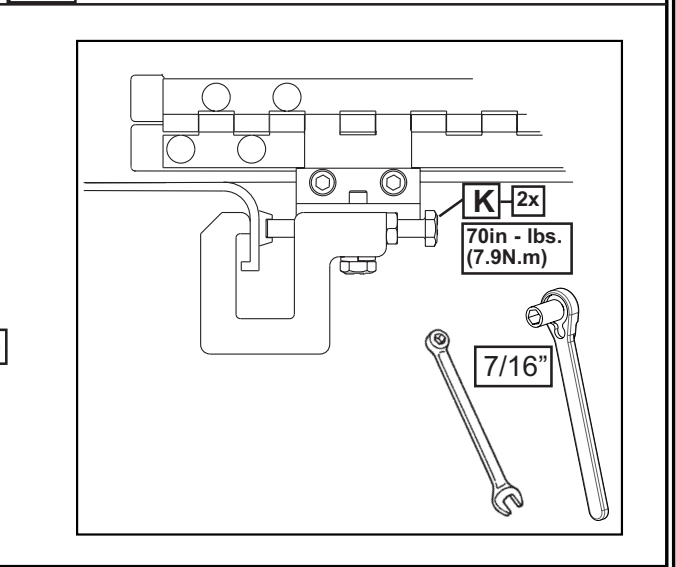
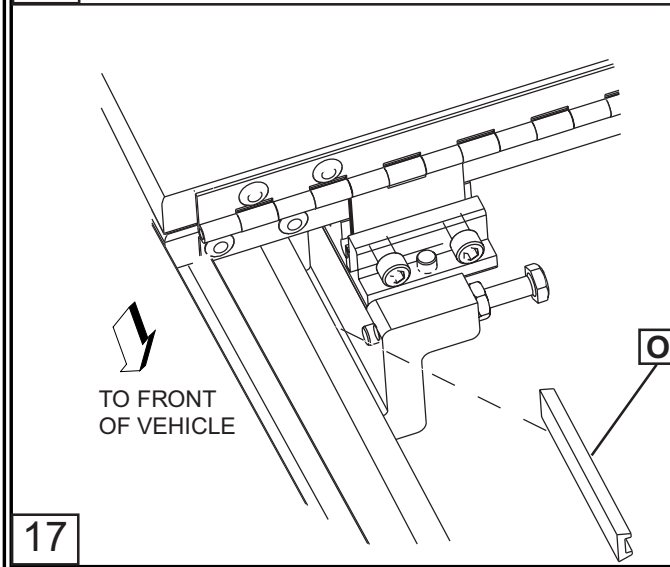
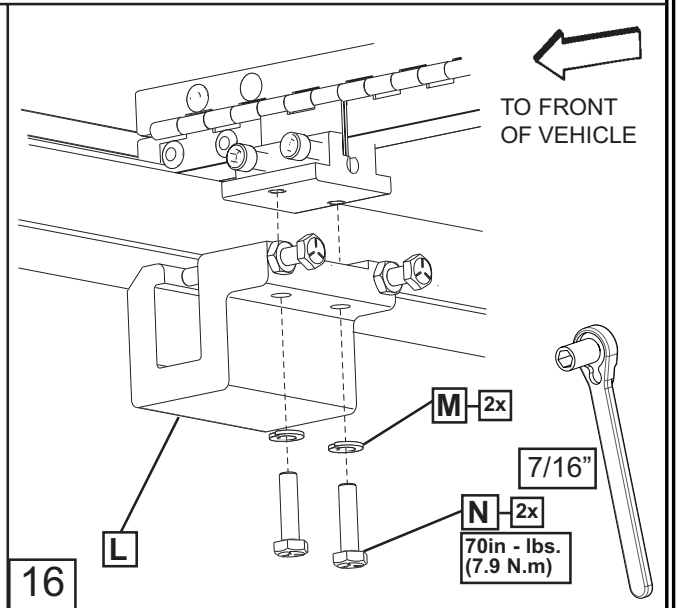
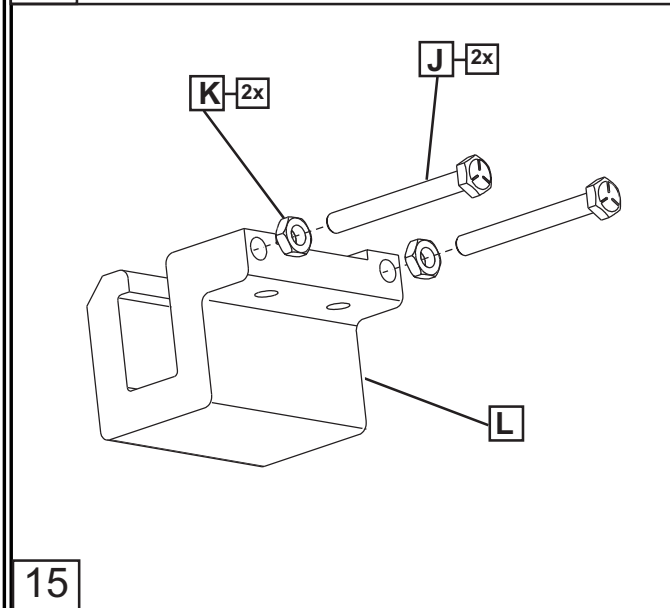
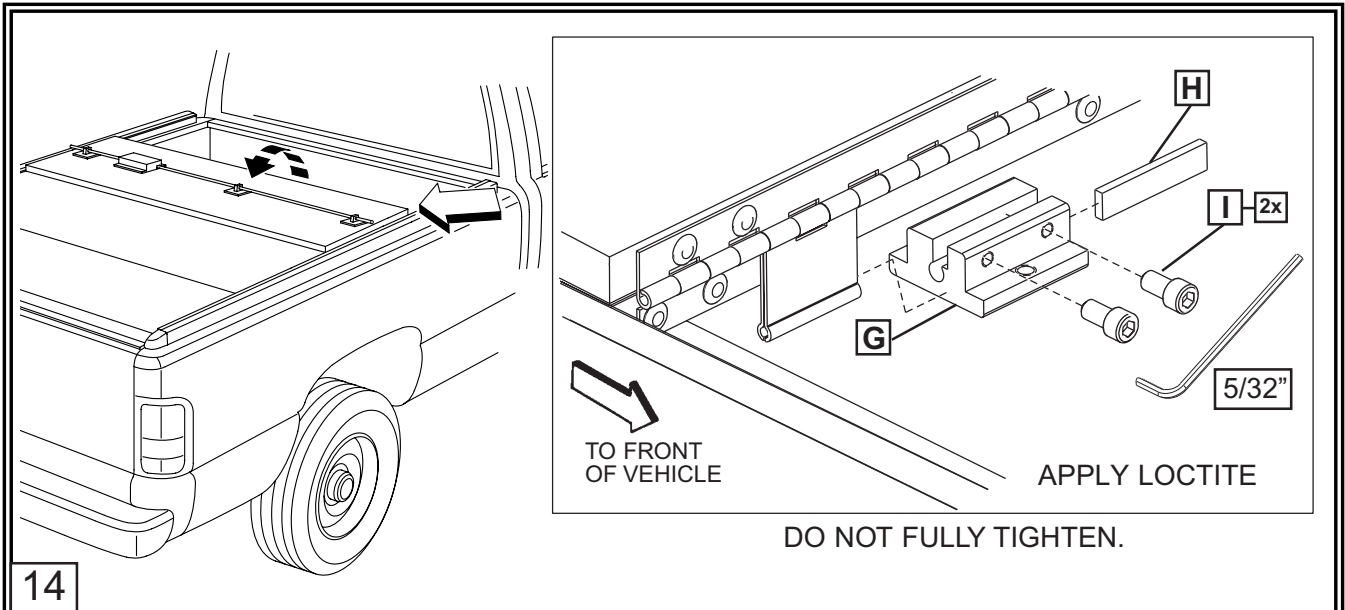
12

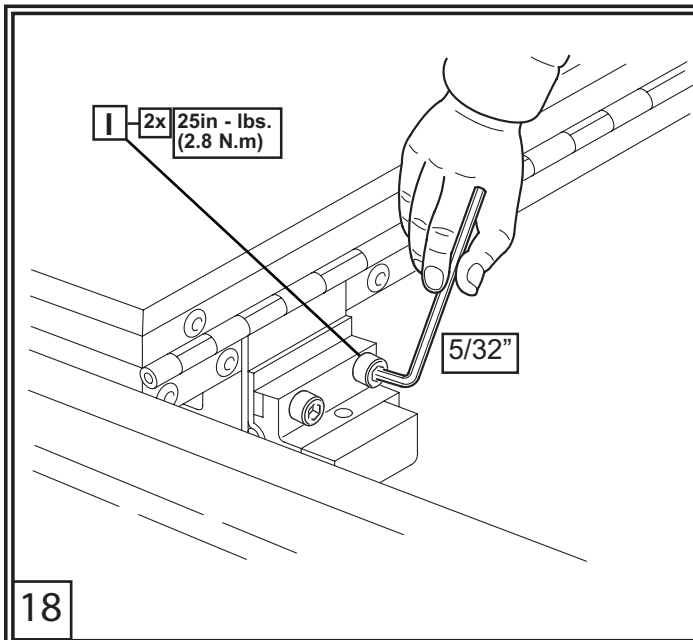
POSITION COVER AND SIDE RAILS SO THE LATCH ENGAGES THE LOOP.



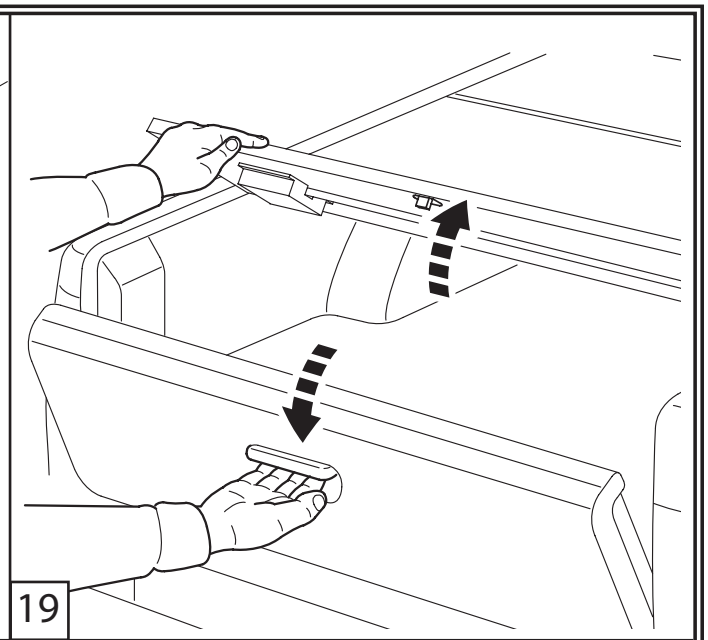
13

OPEN THE REAR AND FRONT PANELS TO TIGHTEN SCREWS.

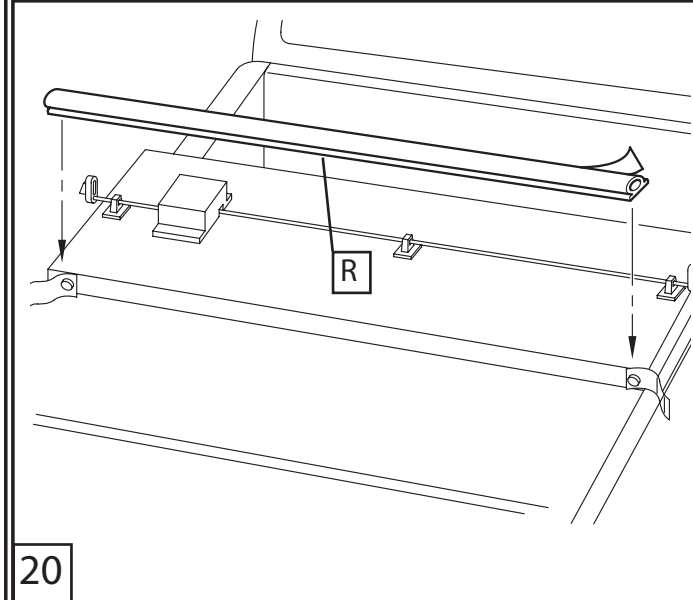




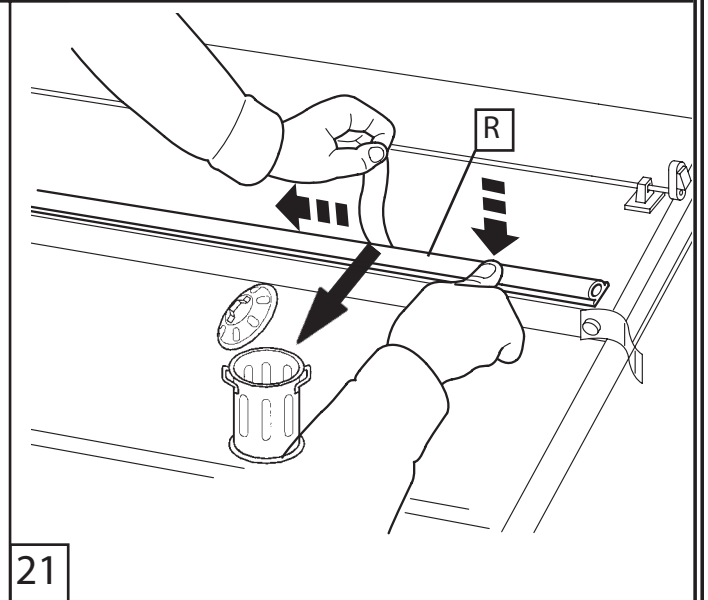
18



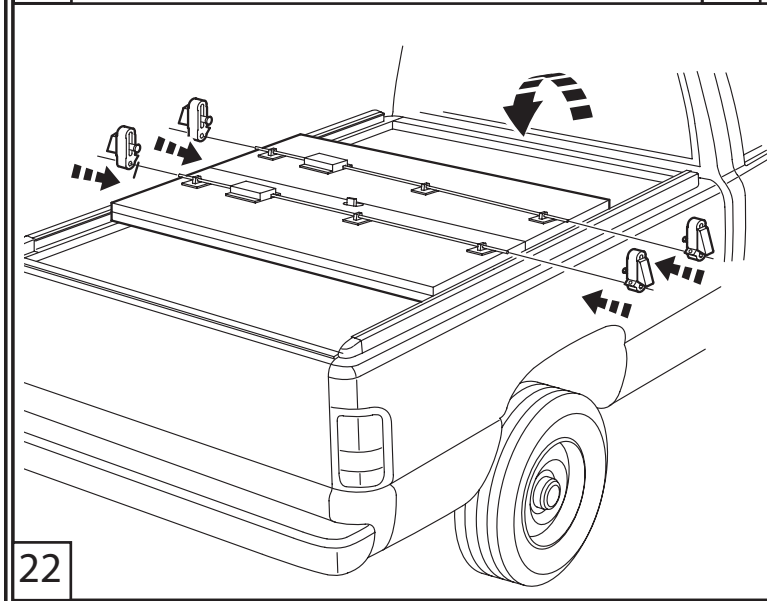
19



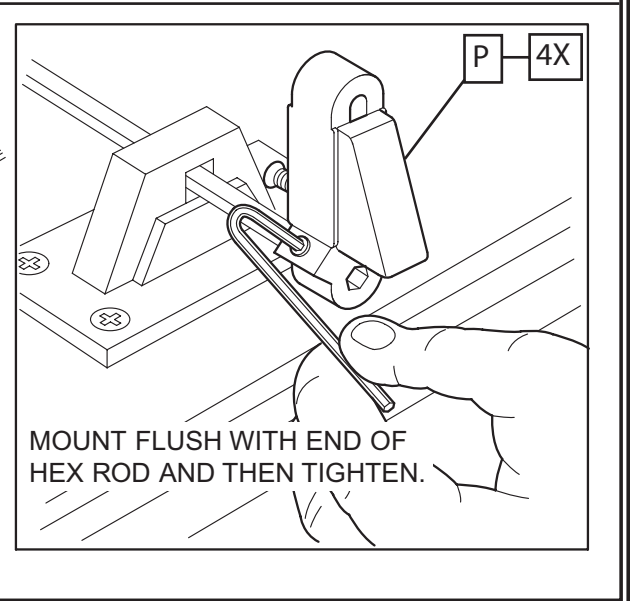
20

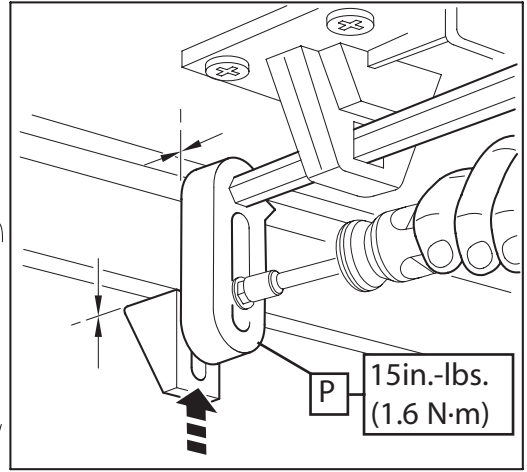
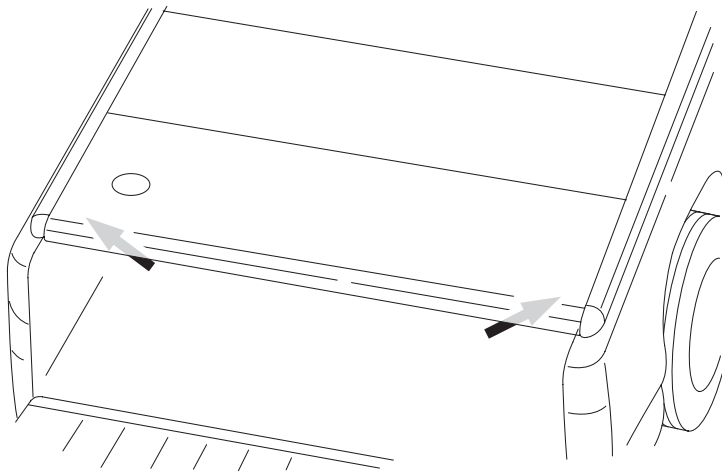


21



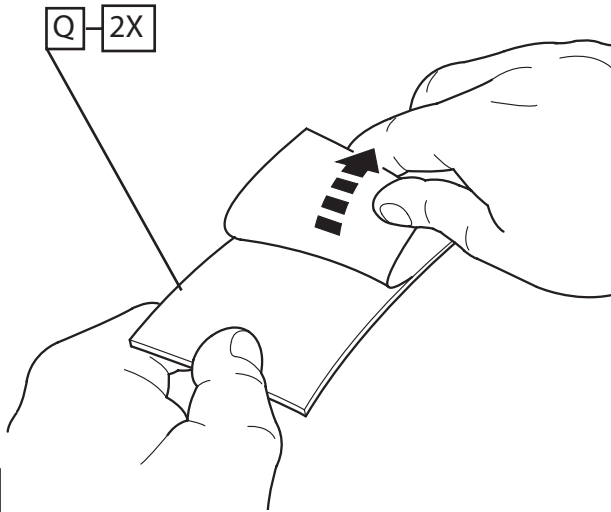
22



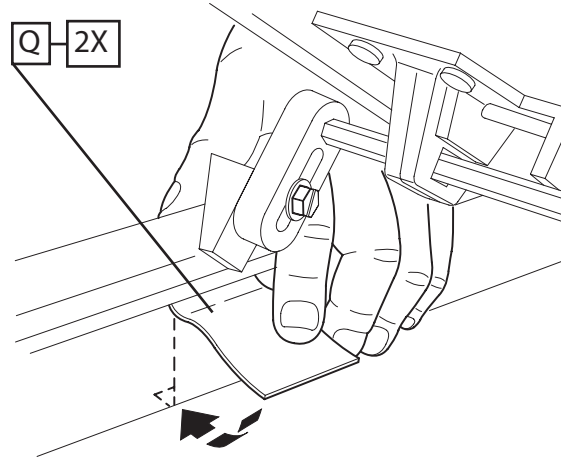


23

POSITION ROD-ENDS, ITEM **P** FLUSH TO TRUCK BOX.



24



25

REPEAT STEPS 21 - 23 FOR FRONT SIDE CLAMPS.