

Fold a Cover® / LS series

Built for your lifestyle

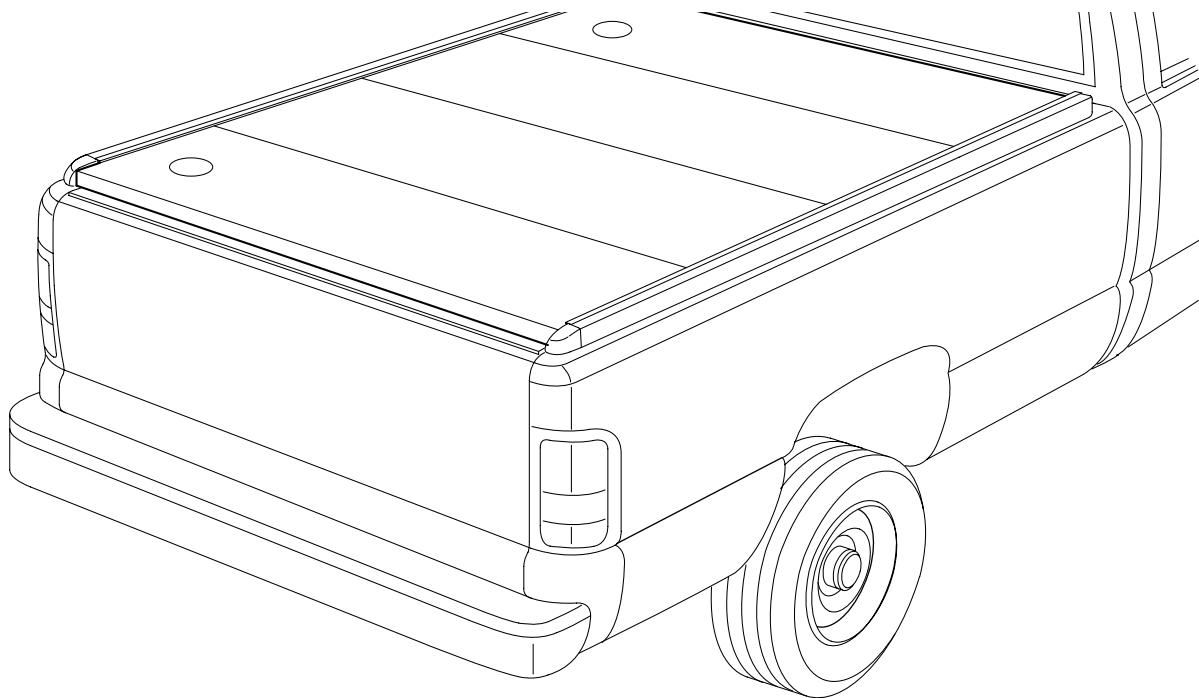
A Division of Steffens Enterprises, Inc.

4045 Karona Ct. • Caledonia, MI 49316

(616) 656-6886

Fax (616) 656-3771

HARD FOLDING TONNEAU COVER INSTALLATION INSTRUCTIONS - WITH STAKE POCKETS

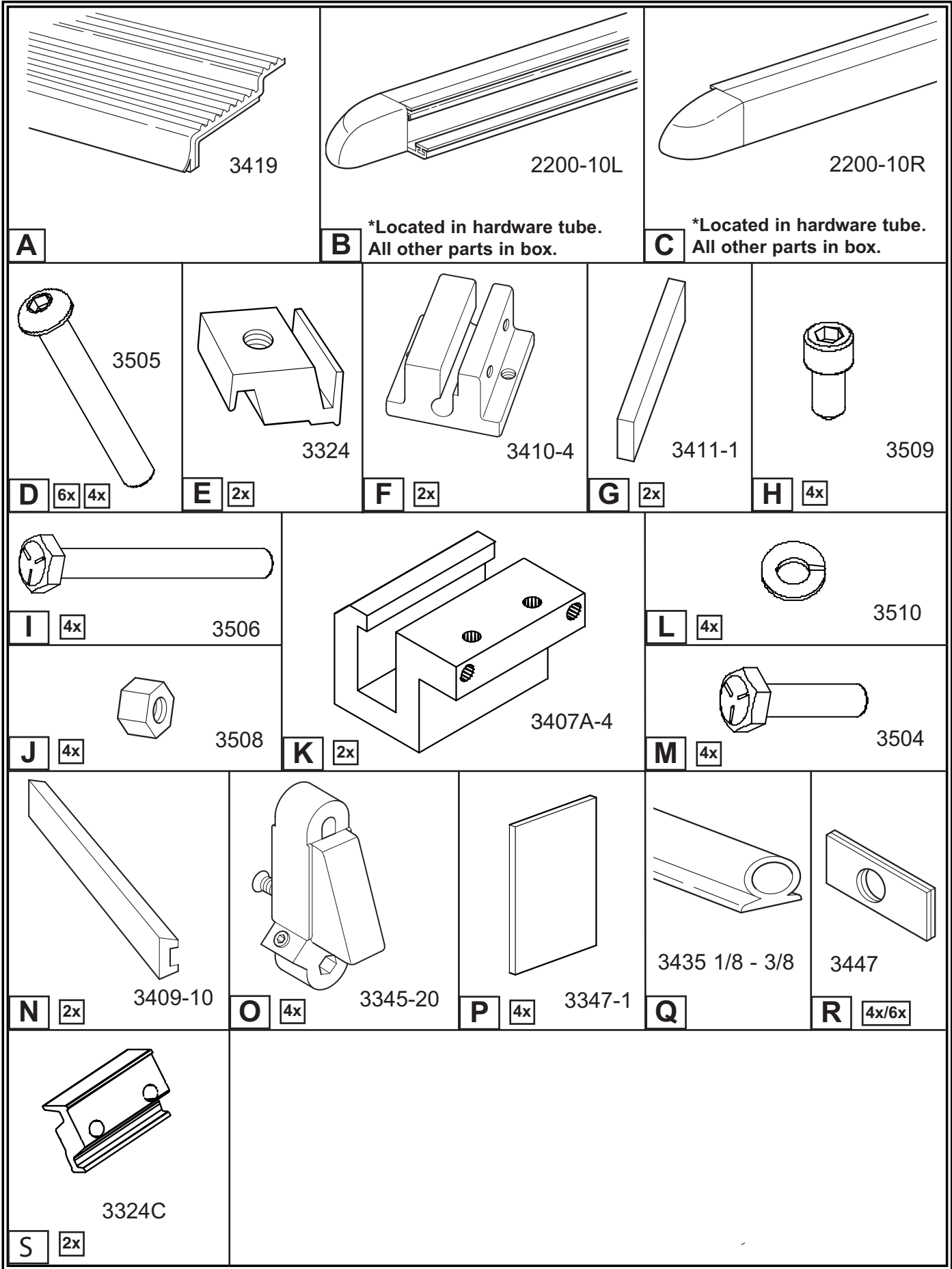


Notes to Installer:

- Install Parts as shown on illustrations.
- Temperature should be no lower than 50° when installing.
- Be sure the truck is setting on a level surface.
- Apply a dab of lock tight to each fastener before use.
- Some trimming of bed liner may be required for proper fit and function.

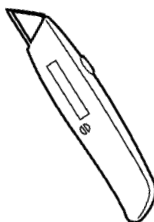
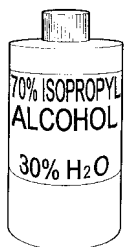
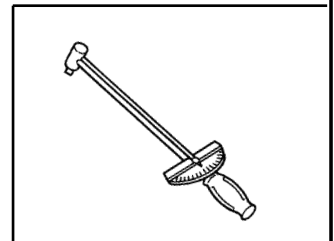
Notes to customer:

- Record the key number and place in glove box or write it in your owner's manual.
- Refer to the Operation and Care Label located on the underside of the rearmost panel on cover (driver's side).

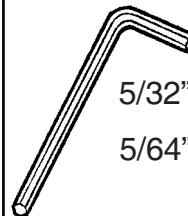


A	3419	Latch Strip
B	2200-10L	Driver Side Rail
C	2200-10R	Passenger Side Rail
D	3505	1/4-20 x 1 3/4 BHSC
E	3324	Stake Pocket Nut
F	3410-4	Hinge Bracket
G	3411-1	Hinge Bracket Shim
H	3509	#10-32 X 1/2 SHCS
I	3506	1/4-20 X 2 1/4 HHCS
J	3508	1/4-20 Jam Nut
K	3407A-4	C-Clamp
L	3510	1/4" Lock Washer
M	3504	1/4-20 X 1 HHCS
N	3409-10	C-Clamp Shim
O	3345-20	Rod End and Catch Post
P	3347-1	Wear Tape
Q	3435	D-Seal
R	3447	Support Washer
S	3324C-3	Two Hole Stake Pocket Nut

TOOLS REQUIRED



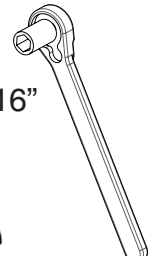
1/4"
Nut
Drive

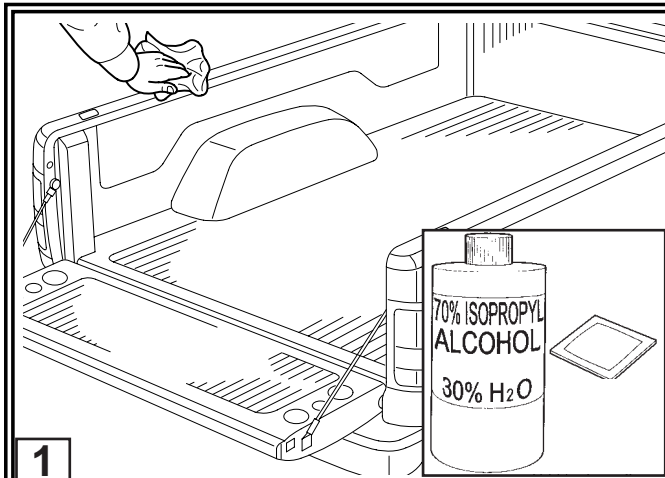


5/32"
5/64"



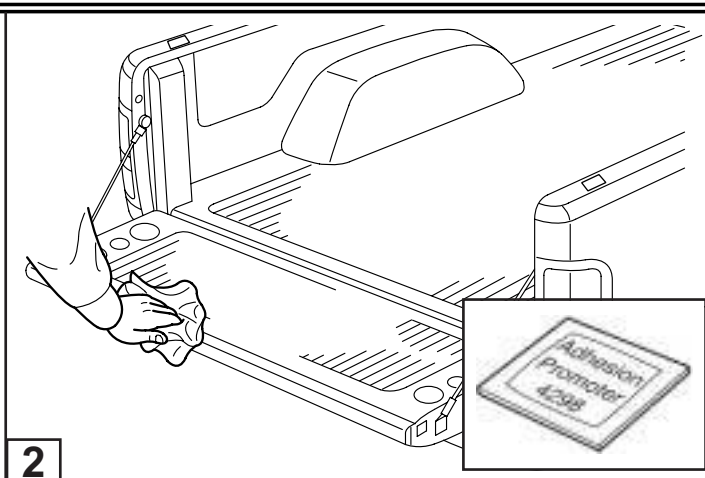
7/16"





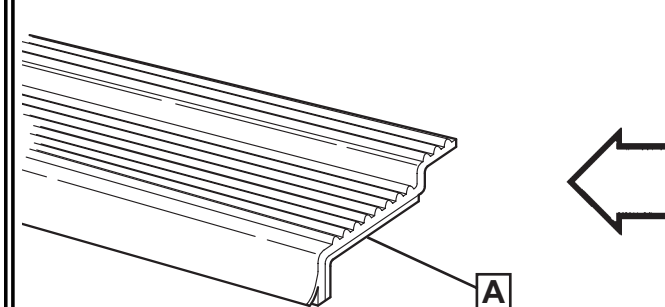
1

USE LATCH STRIP AS SHOWN FOR TRUCKS EQUIPPED WITH TAILGATE COVER.

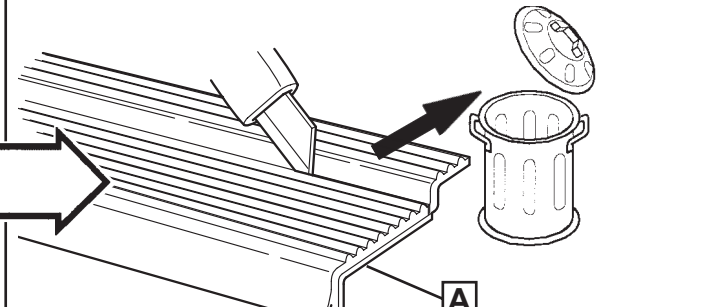


2

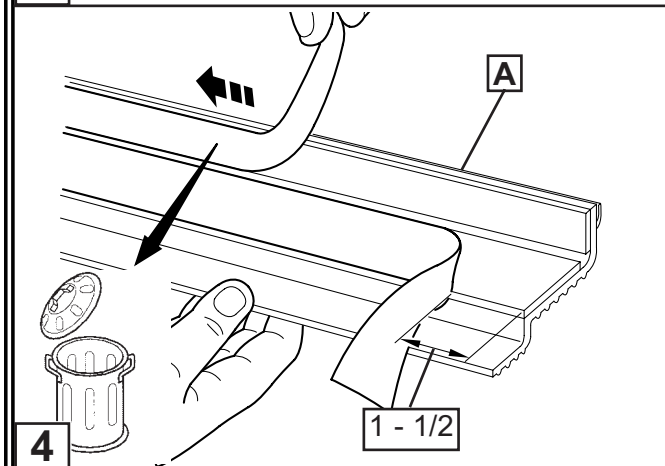
TRIM THE LATCH STRIP AS SHOWN FOR TRUCKS WITHOUT TAILGATE COVER.



3

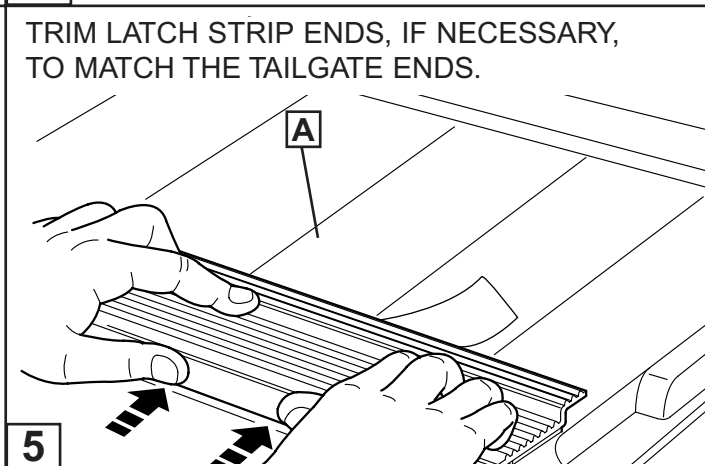


3A



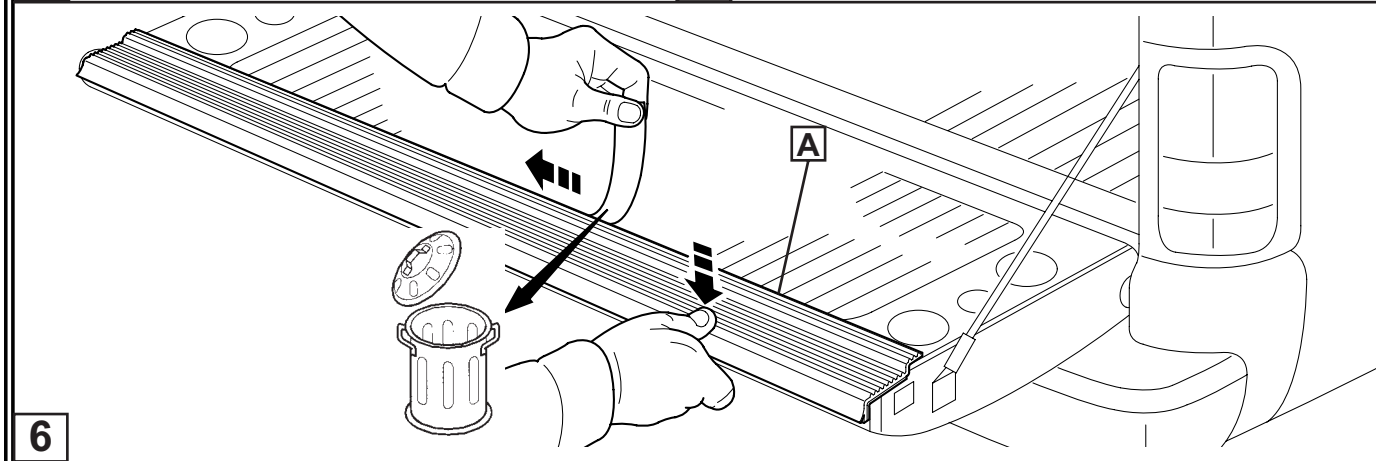
4

1 - 1/2



5

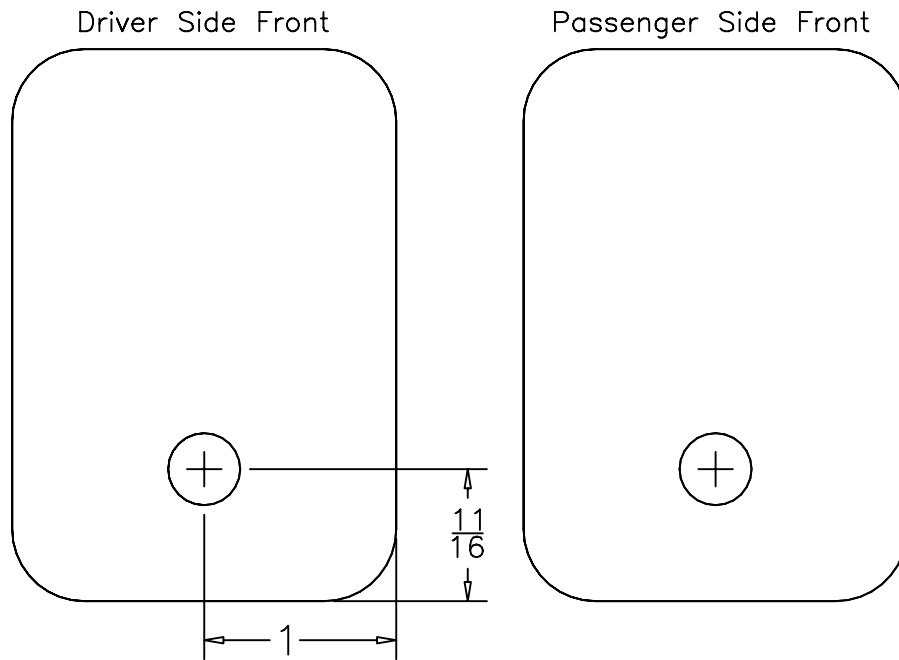
TRIM LATCH STRIP ENDS, IF NECESSARY, TO MATCH THE TAILGATE ENDS.



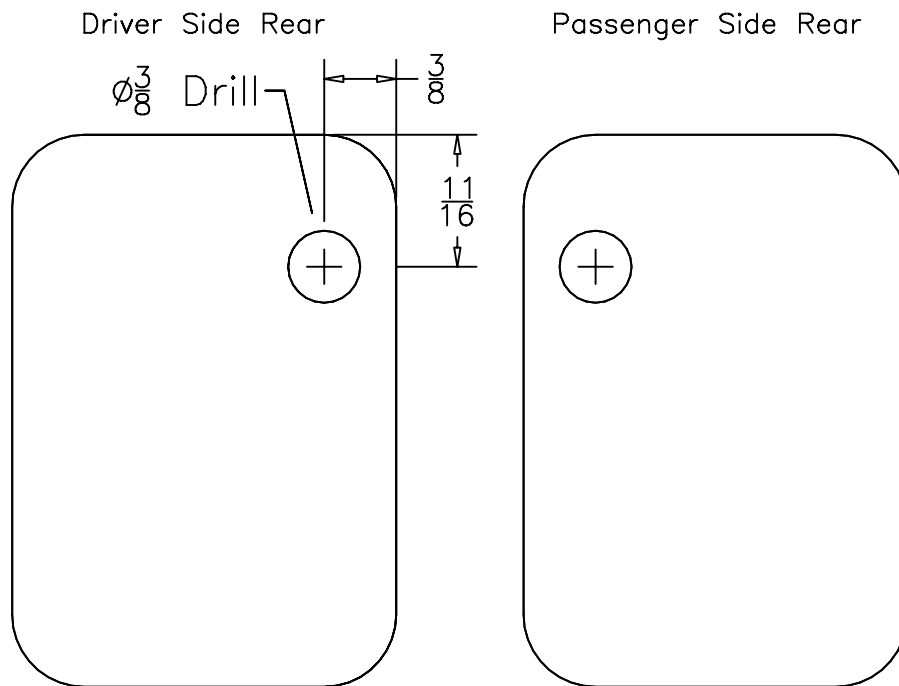
6

Toyota Double Cab Stake Pocket Cover Drill Template

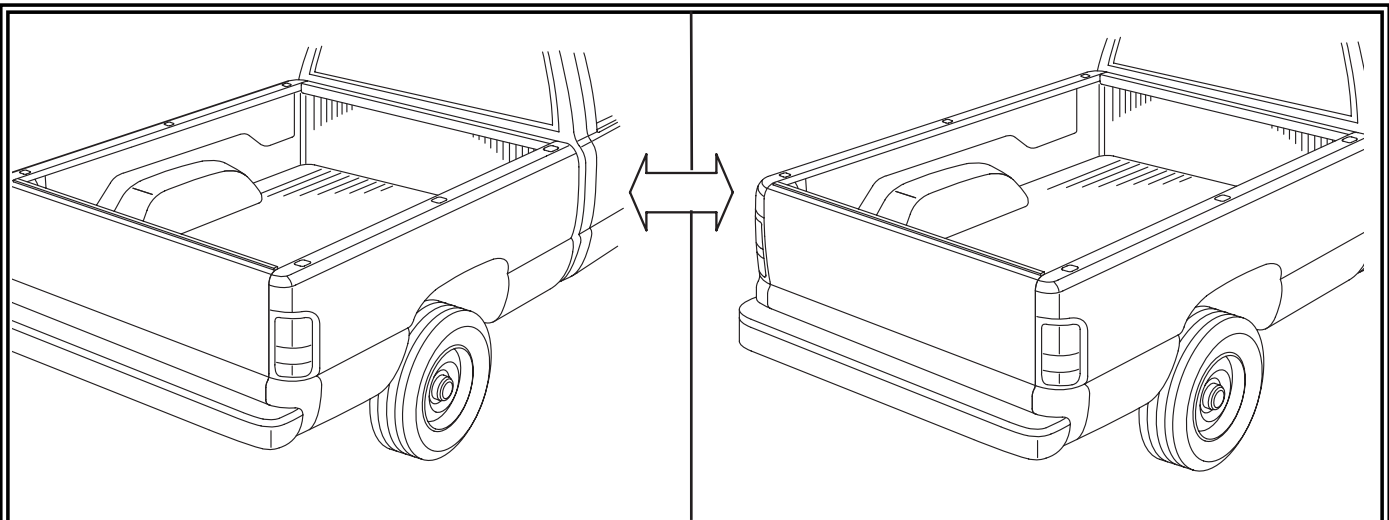
Front of Box — Cab End



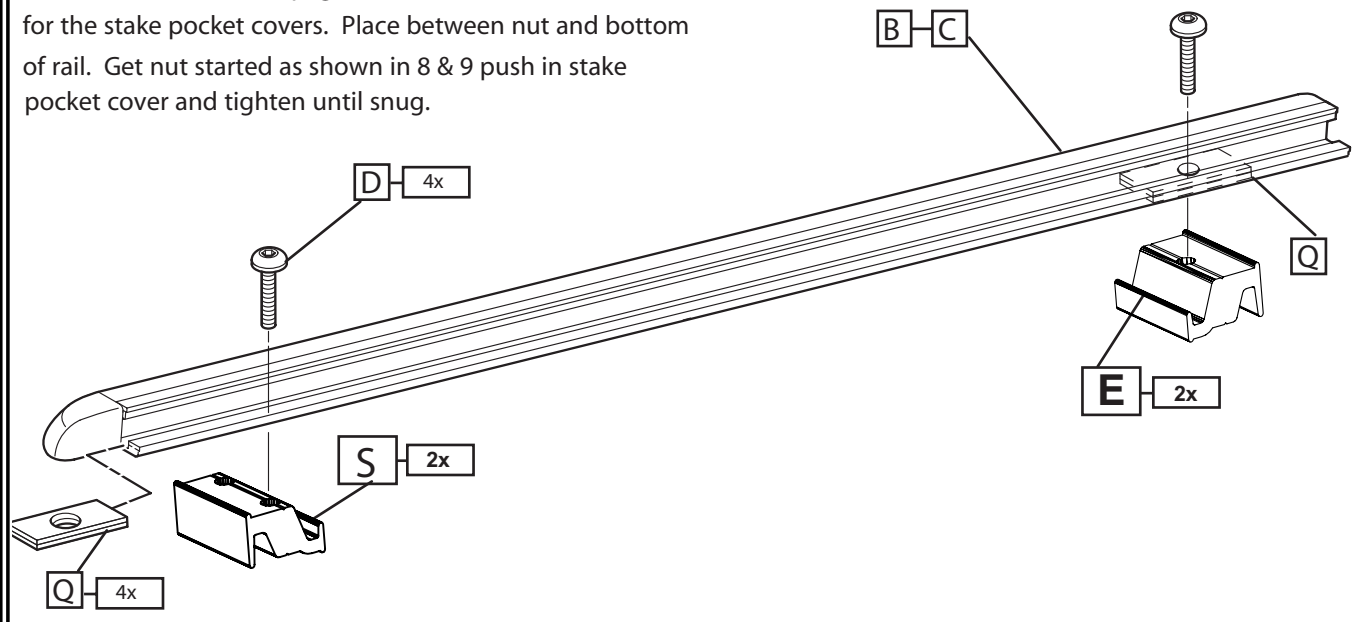
Top View (Looking Down) Shown — ALL



Rear of Box — Tailgate End



APPLY LOCTITE. See page 4 for the drill instructions for the stake pocket covers. Place between nut and bottom of rail. Get nut started as shown in 8 & 9 push in stake pocket cover and tighten until snug.

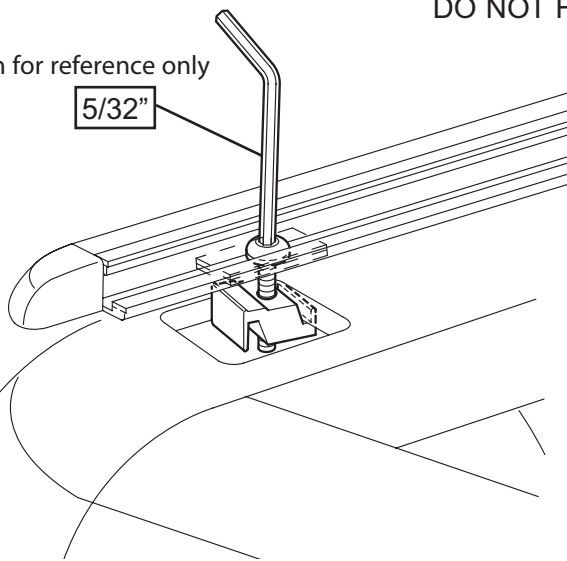


7

DO NOT FULLY TIGHTEN.

Shown for reference only

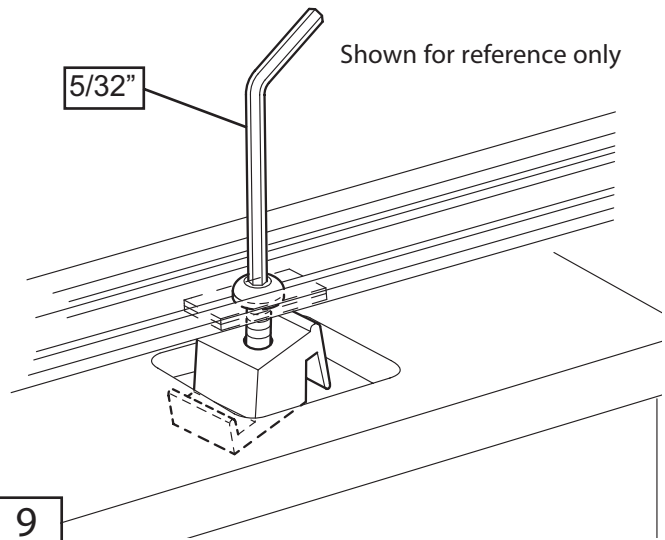
5/32"



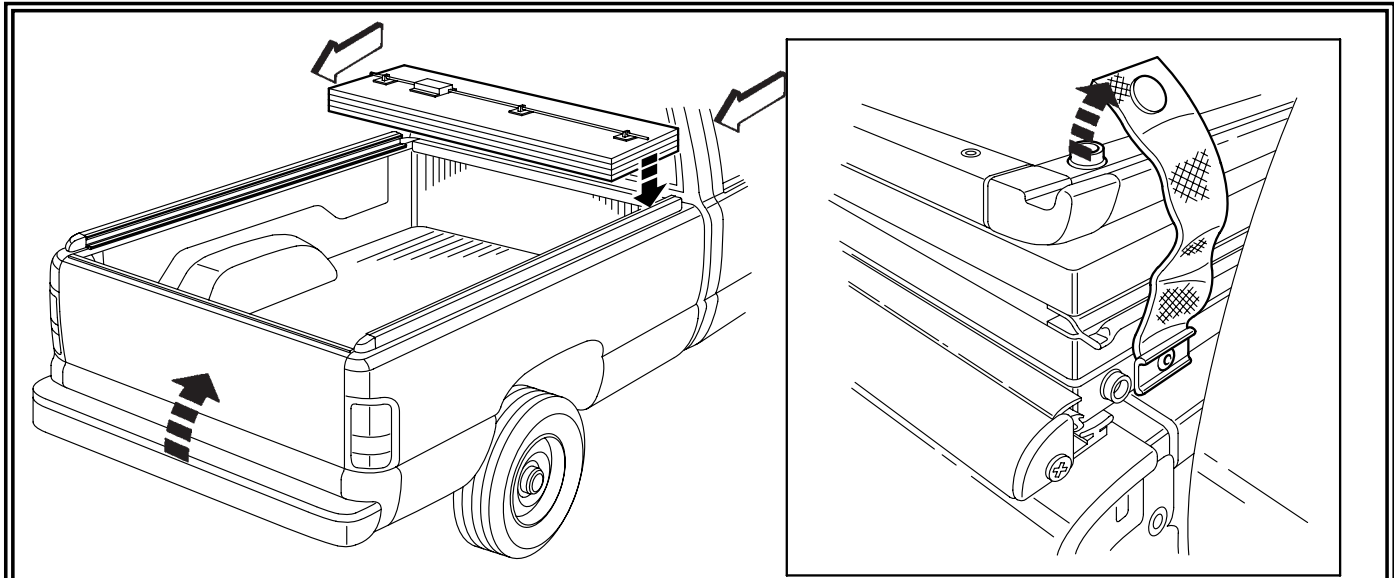
8

Shown for reference only

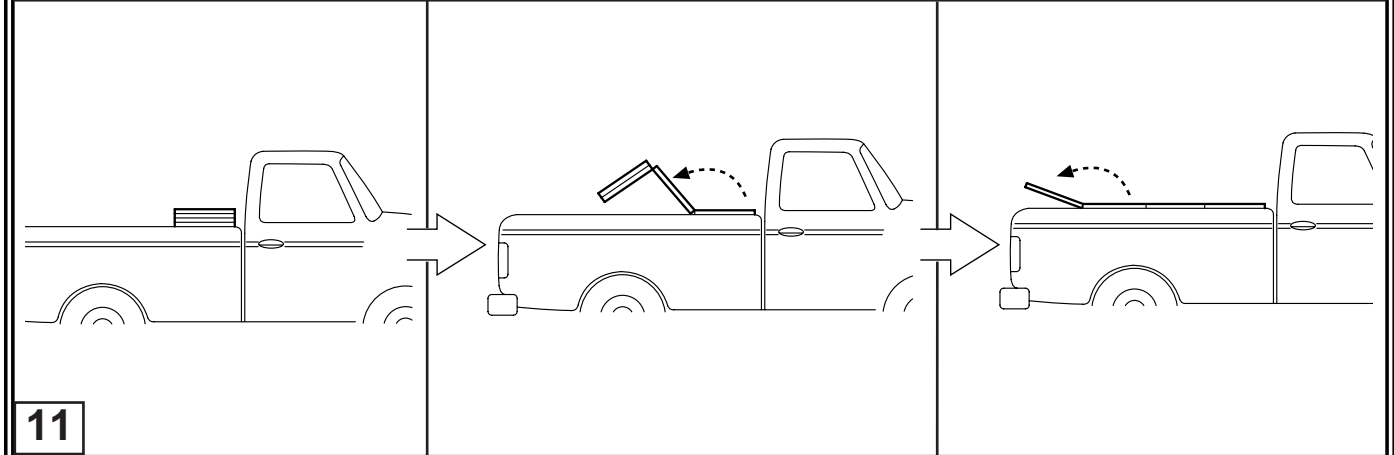
5/32"



9

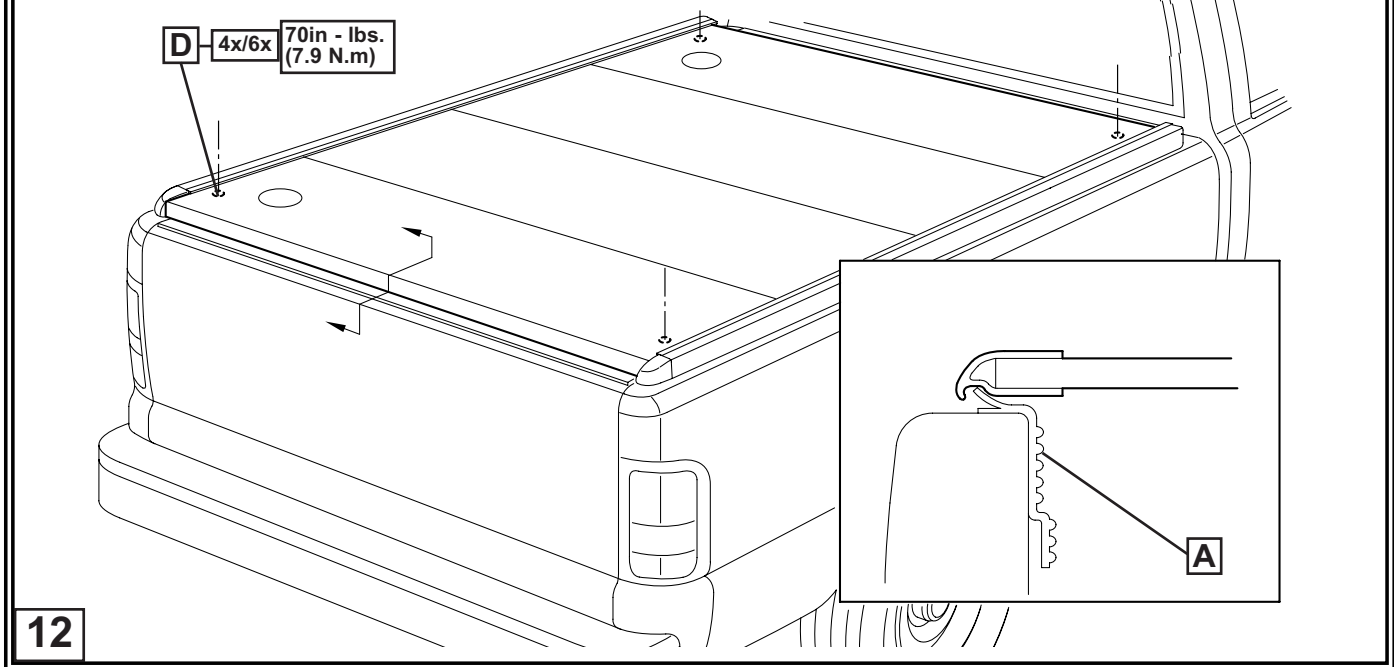


10

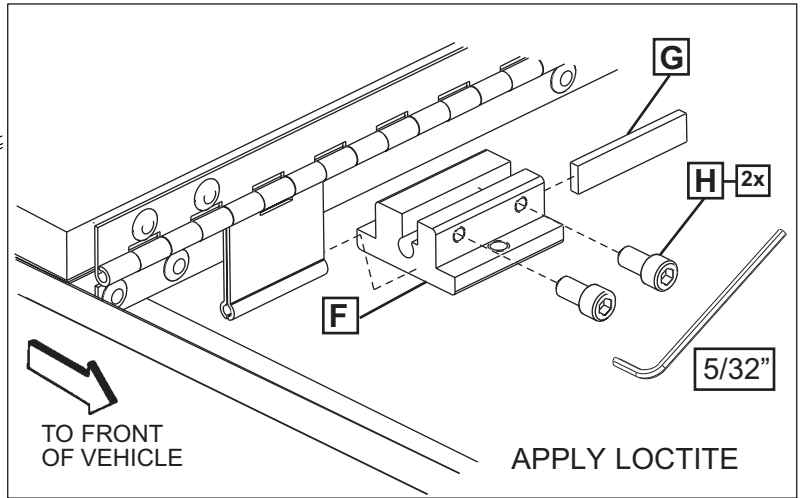
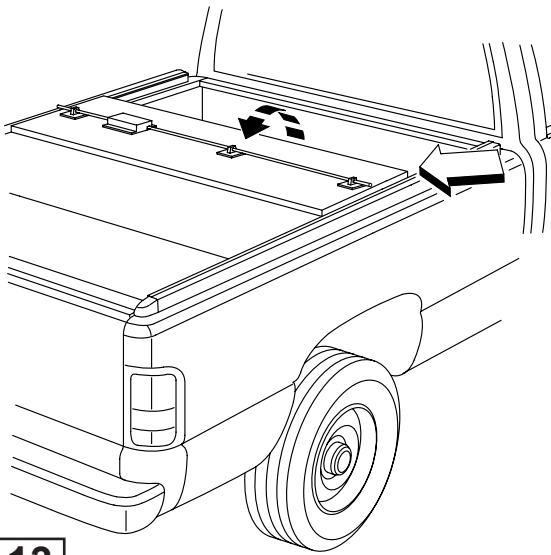


11

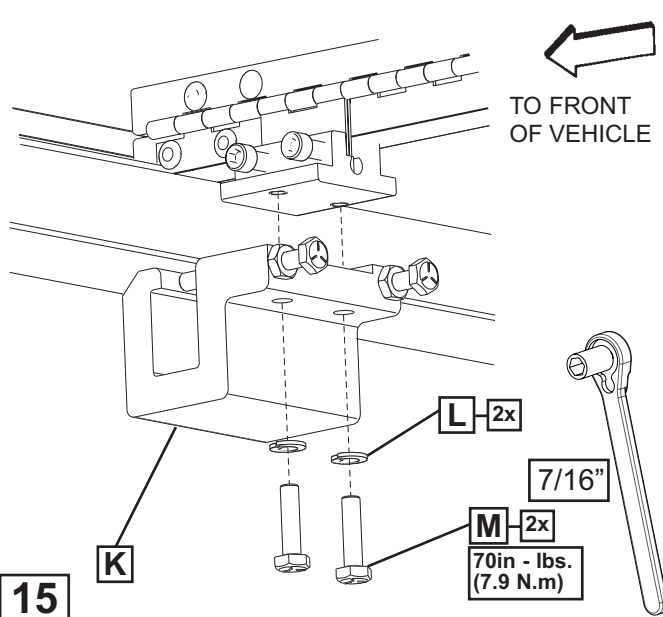
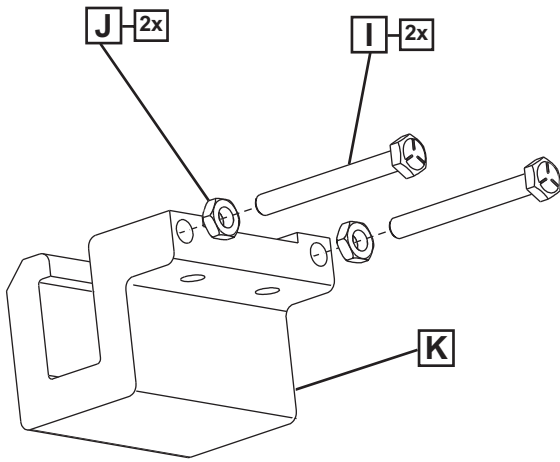
CENTER THE COVER AND SIDE RAILS EVENLY ONTO THE TRUCK BOX. THEN OPEN THE REAR AND FRONT PANELS TO TIGHTEN THE SCREWS.



12

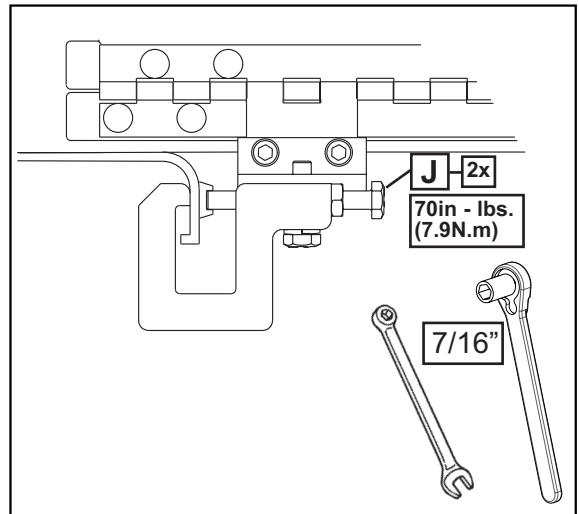
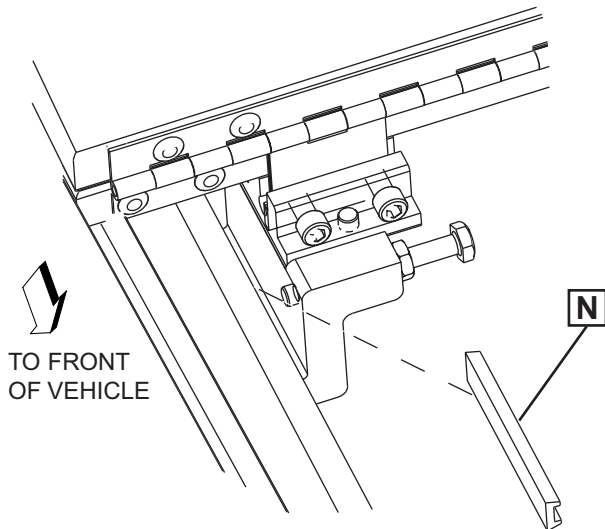


13

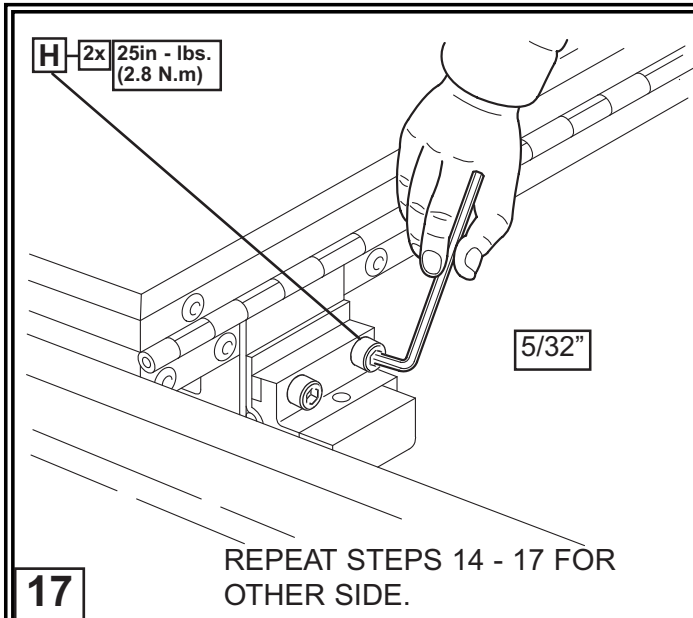


14

15

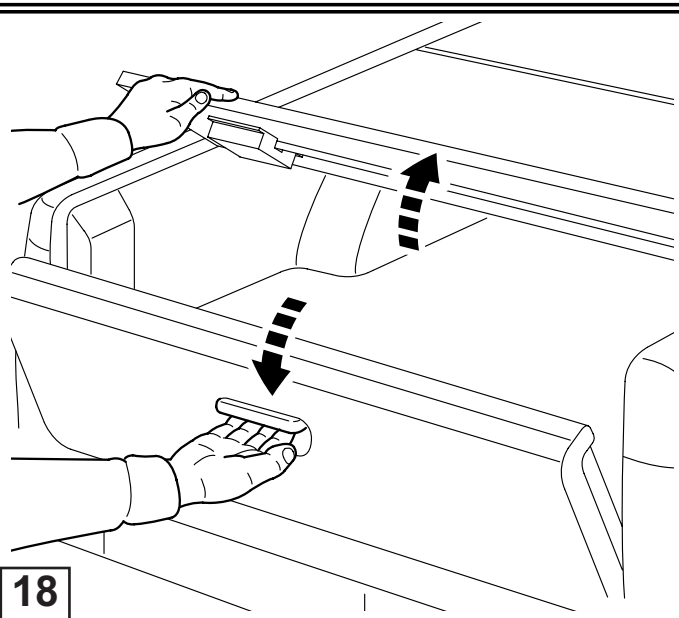


16

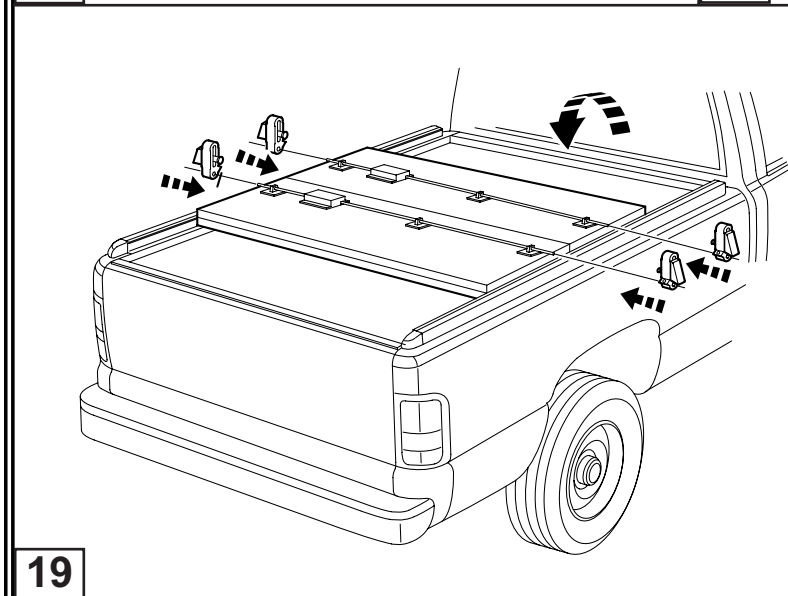


17

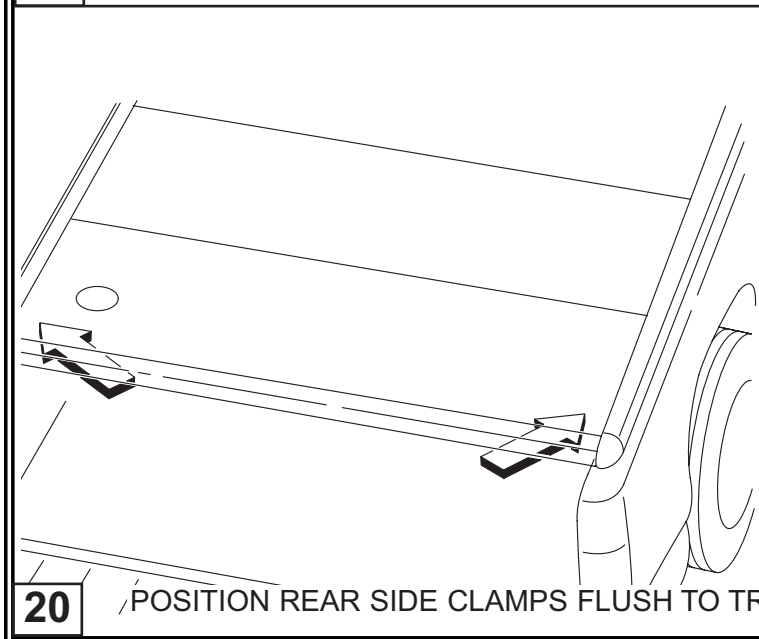
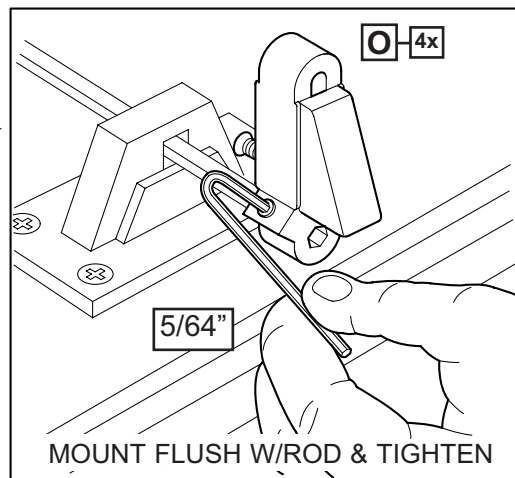
REPEAT STEPS 14 - 17 FOR OTHER SIDE.



18



19



20

POSITION REAR SIDE CLAMPS FLUSH TO TRUCK BOX.

