

Fold a Cover® / LS series

Built for your lifestyle

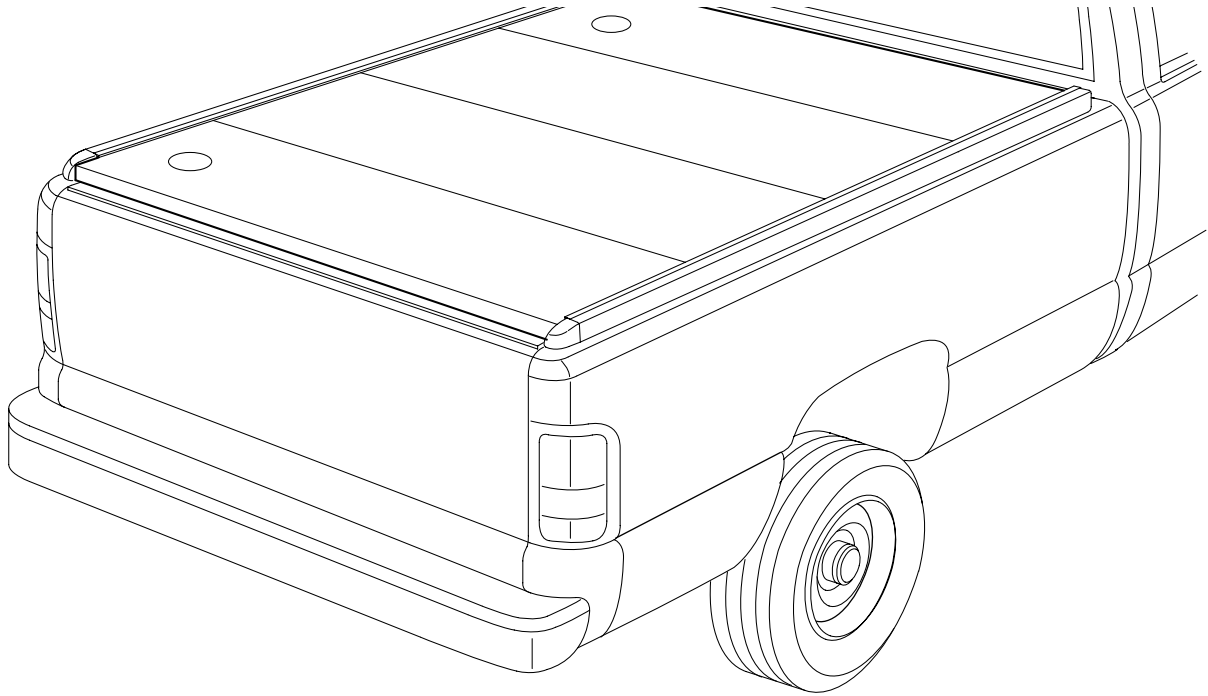
A Division of Steffens Enterprises, Inc.

4045 Karona Ct. • Caledonia, MI 49316

(616) 656-6886

Fax (616) 656-3771

HARD FOLDING TONNEAU COVER INSTALLATION INSTRUCTIONS - WITH STAKE POCKETS

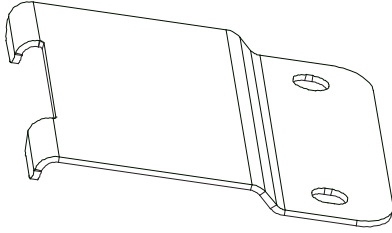
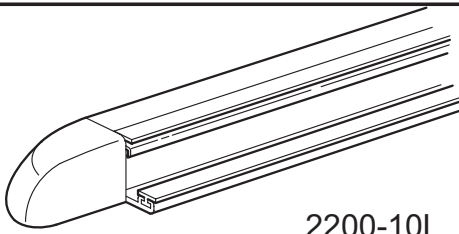
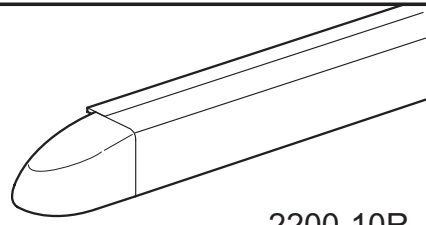
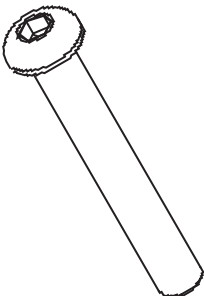
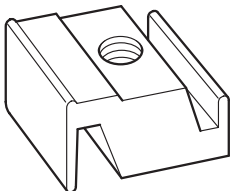
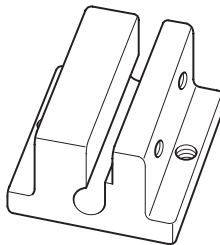
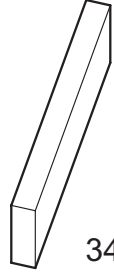

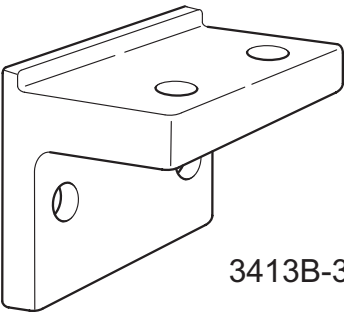


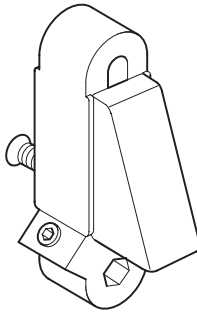
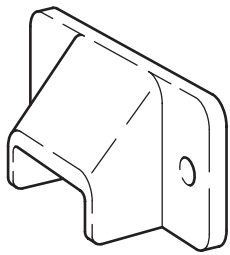
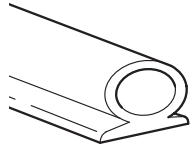
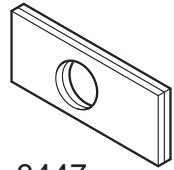
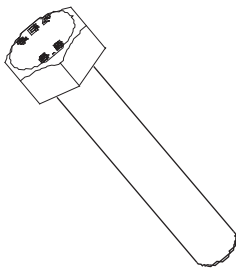
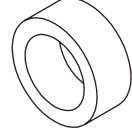



Notes to Installer:

- Install Parts as shown on illustrations.
- Temperature should be no lower than 50° F when installing.
- Be sure the truck is setting on a level surface.
- Apply a dab of lock tight to each fastener before use.
- Some trimming of bed liner may be required for proper fit and function.

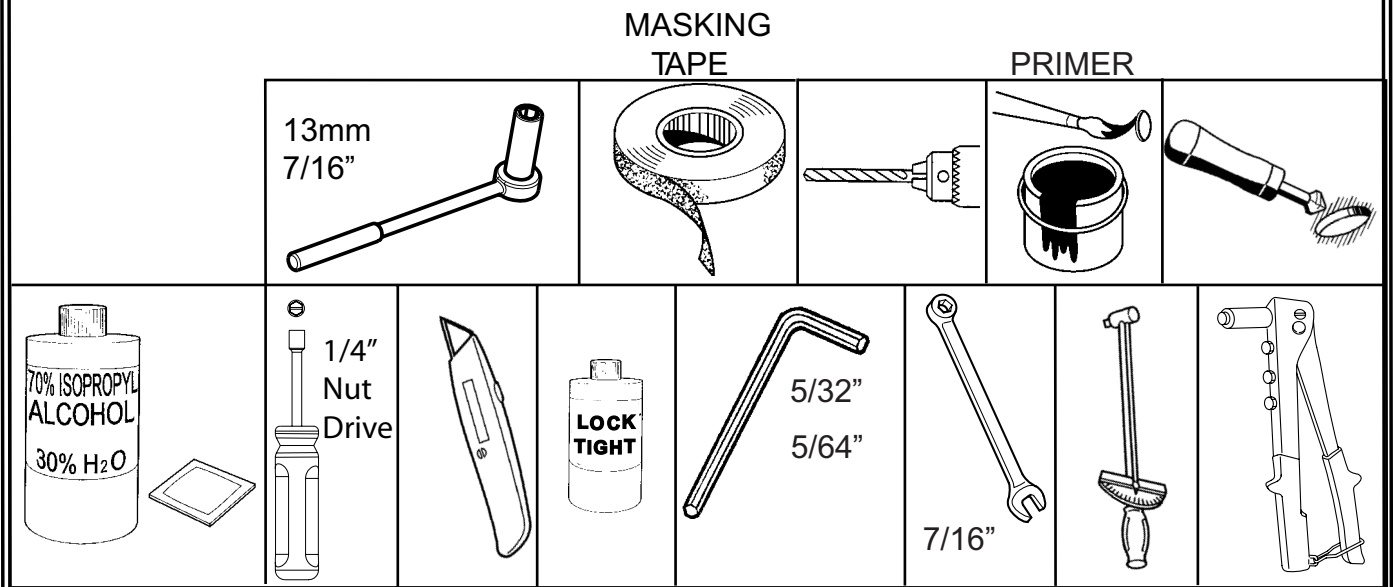
Notes to customer:

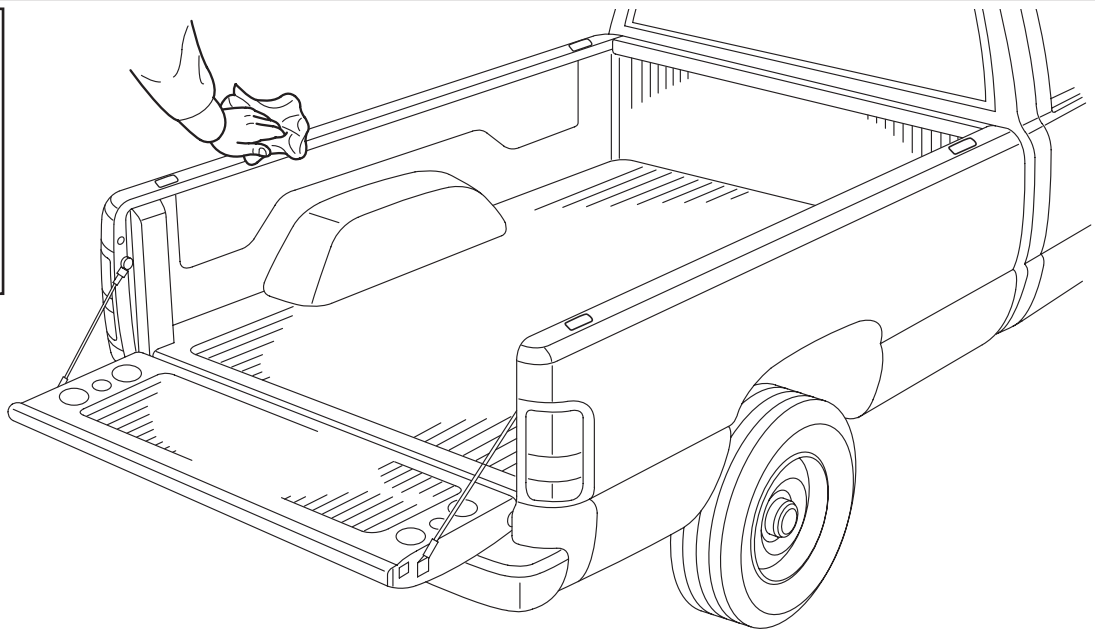
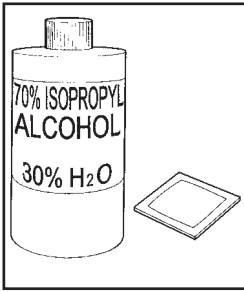
- Record the key number and place in glove box or write it in your owner's manual.
- Refer to the Operation and Care Label located on the underside of the rearmost panel on cover (driver's side).

 <p>A 3491</p>	 <p>2200-10L</p> <p>B *Located in hardware tube. All other parts in box.</p>	 <p>2200-10R</p> <p>C *Located in hardware tube. All other parts in box.</p>		
 <p>D 4x 3505</p>	 <p>3324</p> <p>E 4x</p>	 <p>3410-4</p> <p>F 2x</p>	 <p>3411-1</p> <p>G 2x</p>	 <p>H 4x 3509</p>
 <p>3413B-3</p> <p>J 2x</p>	 <p>3510</p> <p>K 4x</p>	 <p>2069</p> <p>M 8X</p>	 <p>N 4x</p>	
 <p>3443-10</p> <p>O 2x</p>	 <p>3420</p> <p>P</p>	 <p>3447</p> <p>Q 4x</p>	 <p>3515</p> <p>R 2X</p>	 <p>2102</p> <p>S 2X</p>
 <p>3516</p> <p>T 2x</p>				

A	3491	Latch Bracket
B	2200-10L	Driver Side Rail
C	2200-10R	Passenger Side Rail
D	3505	1/4-20 x 1 3/4 BHSC
E	3324	Stake Pocket Nut
F	3410-4	Hinge Bracket
G	3411-1	Hinge Bracket Shim
H	3509	#10-32 x 1/2 SHCS
J	3413B-3	Mounting Bracket
K	3510	1/4" Lock Washer
L	3504	1/4-20 x 1 HHCS
M	2069	3/16" Pop Rivet S/S
N	3345-20	Rod End and Catch Post
O	3443-10	Catch Pocket
P	3435	D-Seal
Q	3447	Support Washer
R	3515	M8 x 1.25 x35mm HHCS
S	2102	Nylon Washer
T	3516	Flat Washer

RECOMMENDED TOOLS

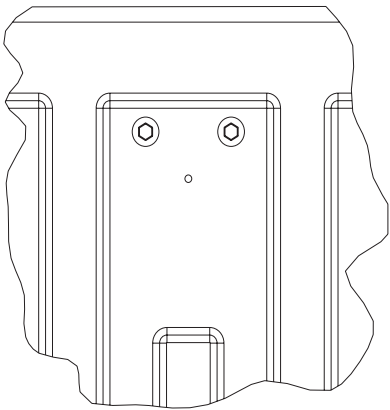




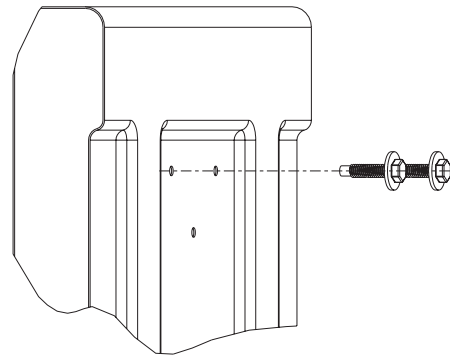
1

Wipe down Both Side Rails

Tailgate Latch Installation Instructions

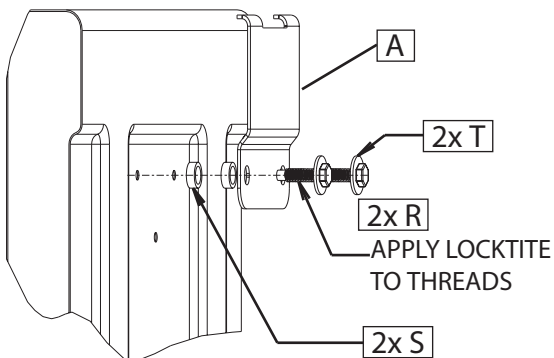


2



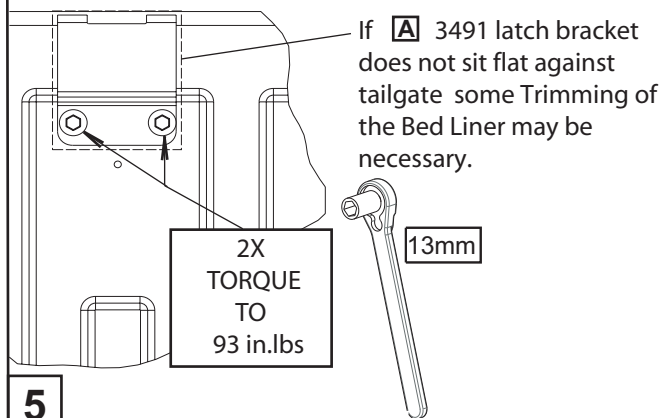
3

Remove Tailgate Bolts & Discard

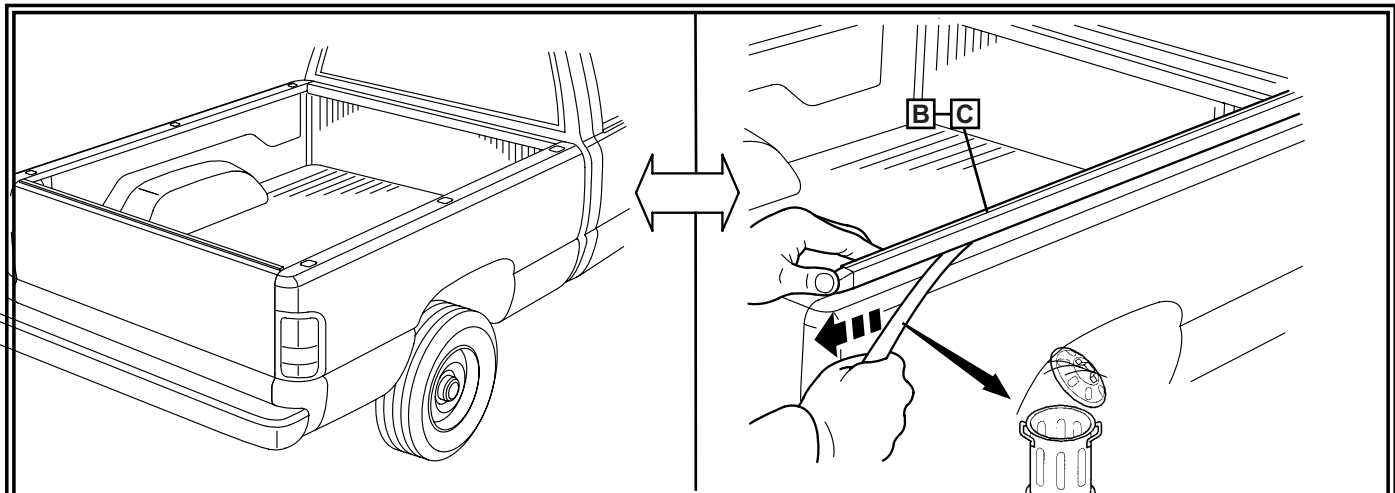


4

Install components as shown

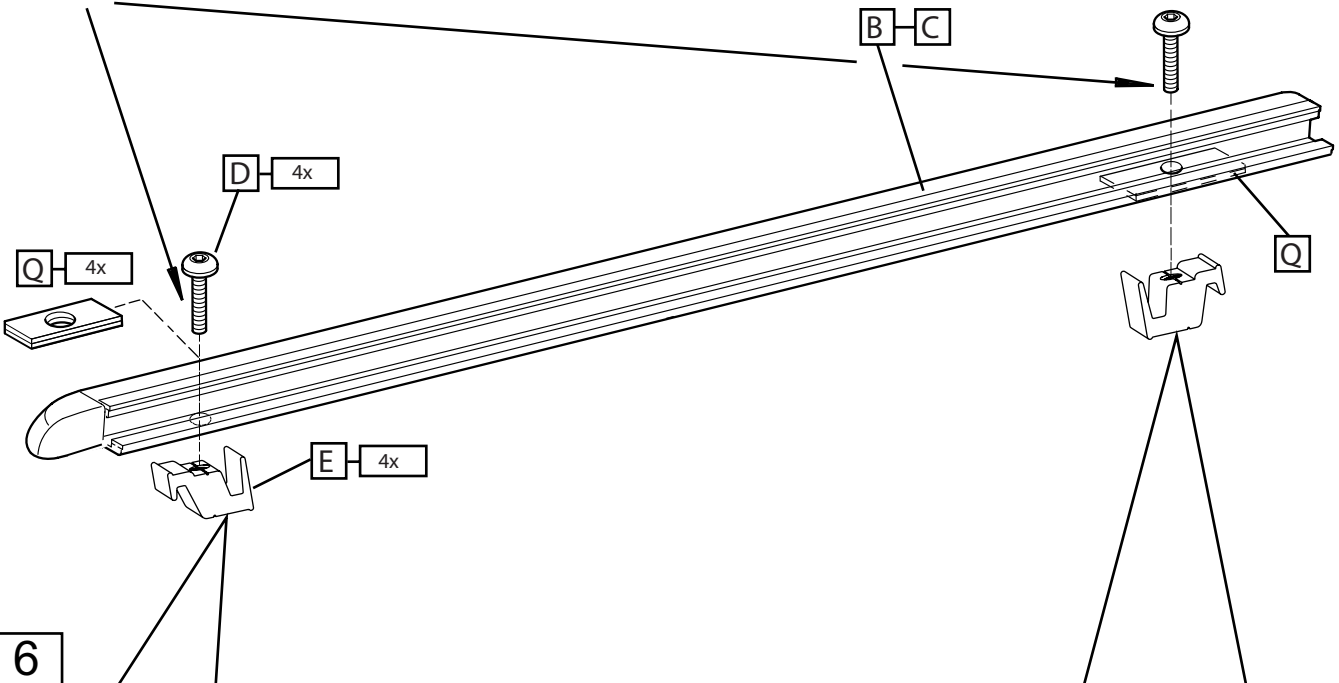


5



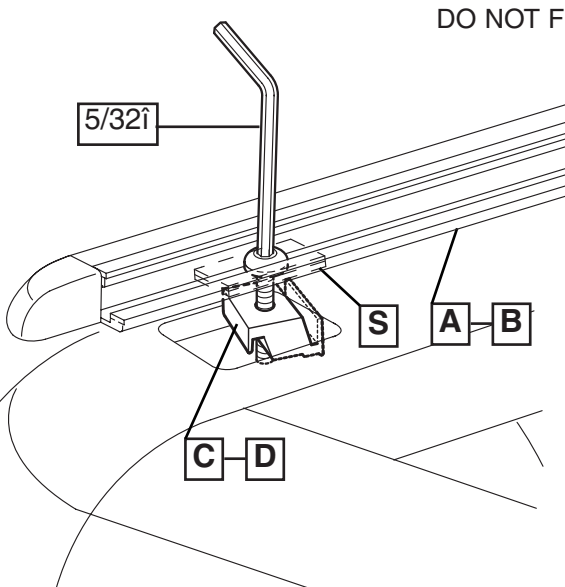
Locate B & C then peel off the white backing before continuing the installation

APPLY LOCTITE

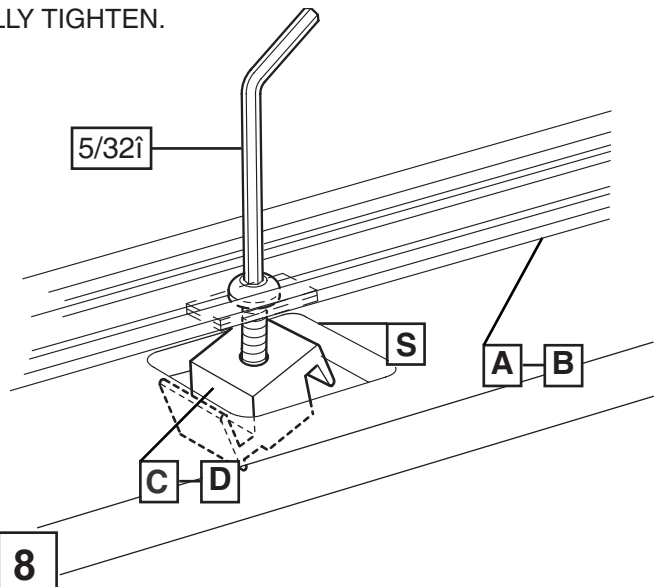


6

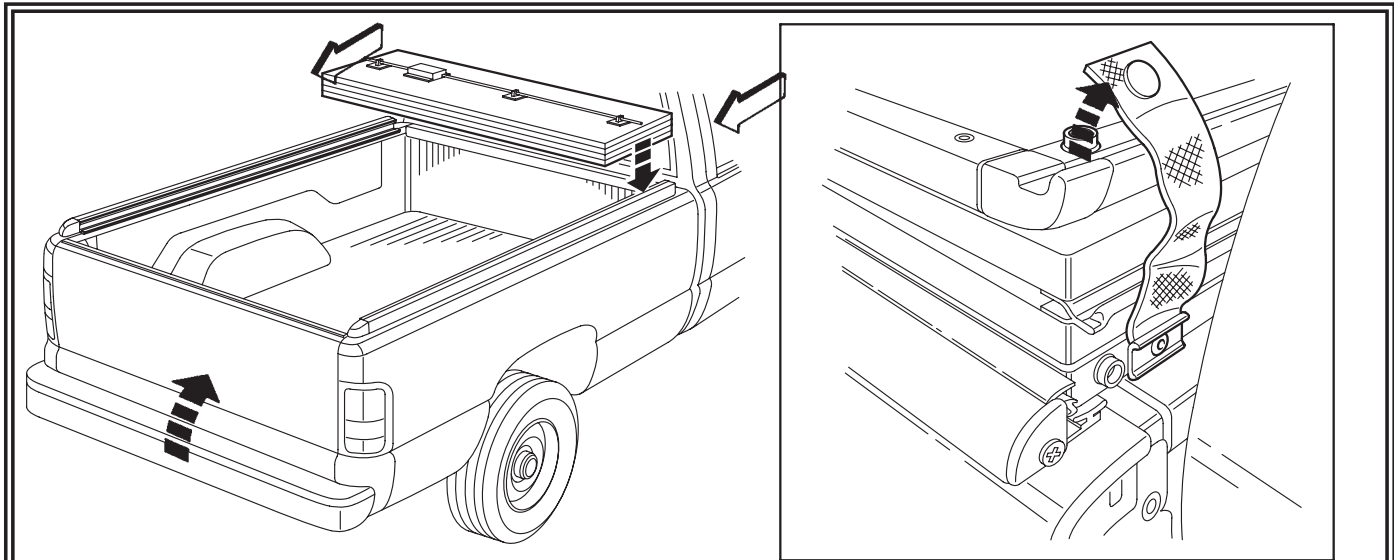
DO NOT FULLY TIGHTEN.



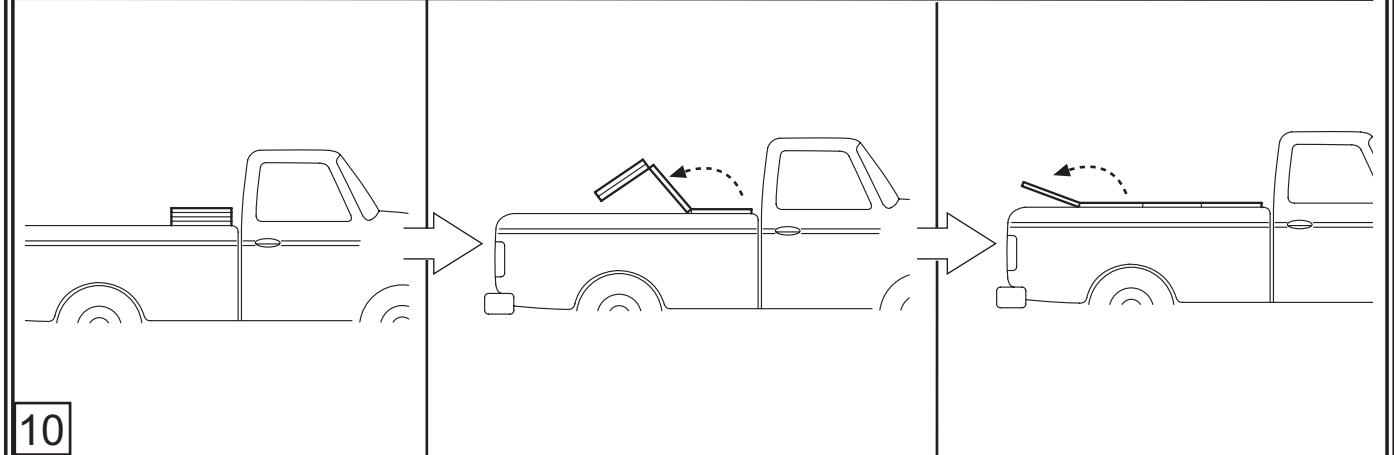
7



8

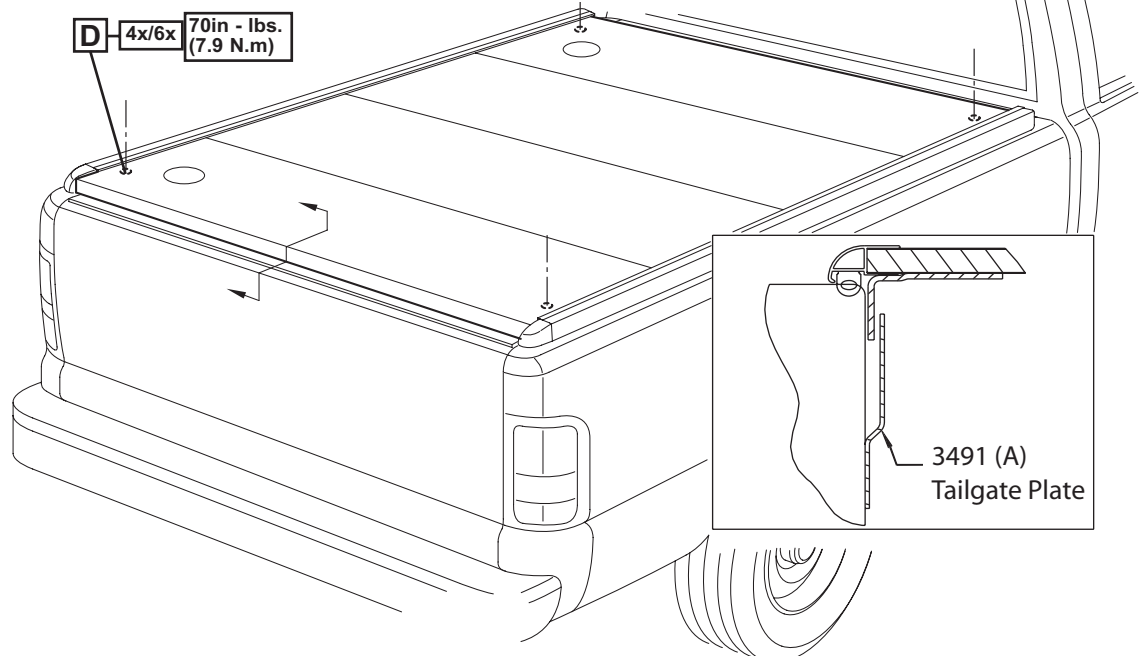


9

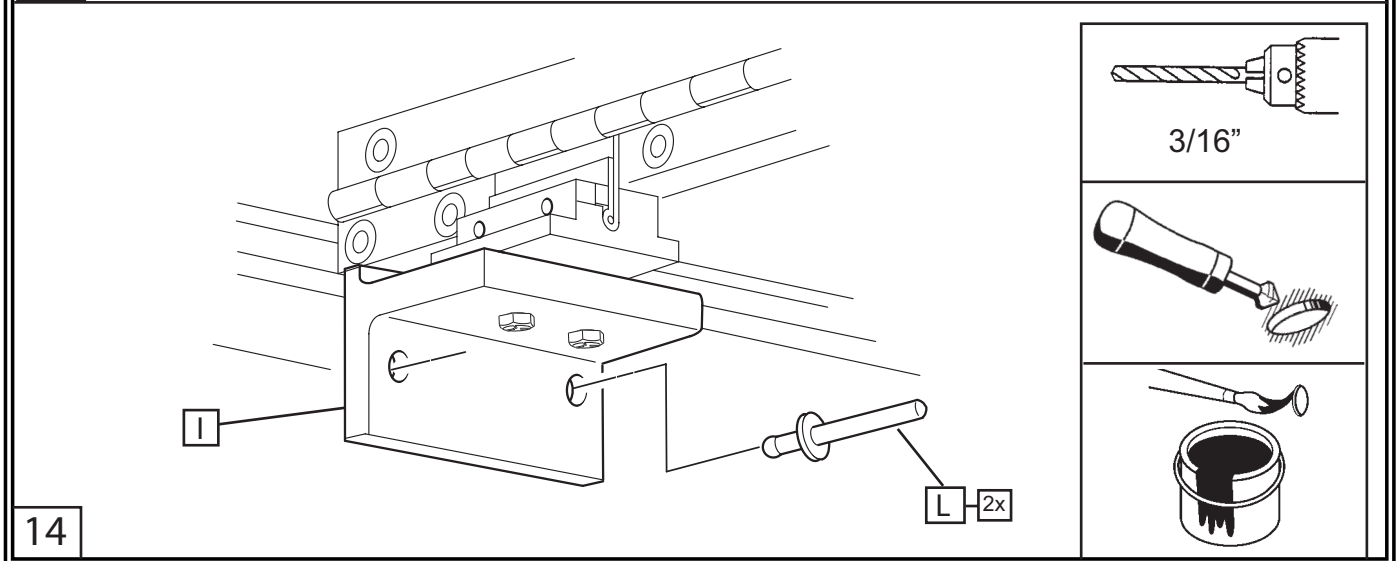
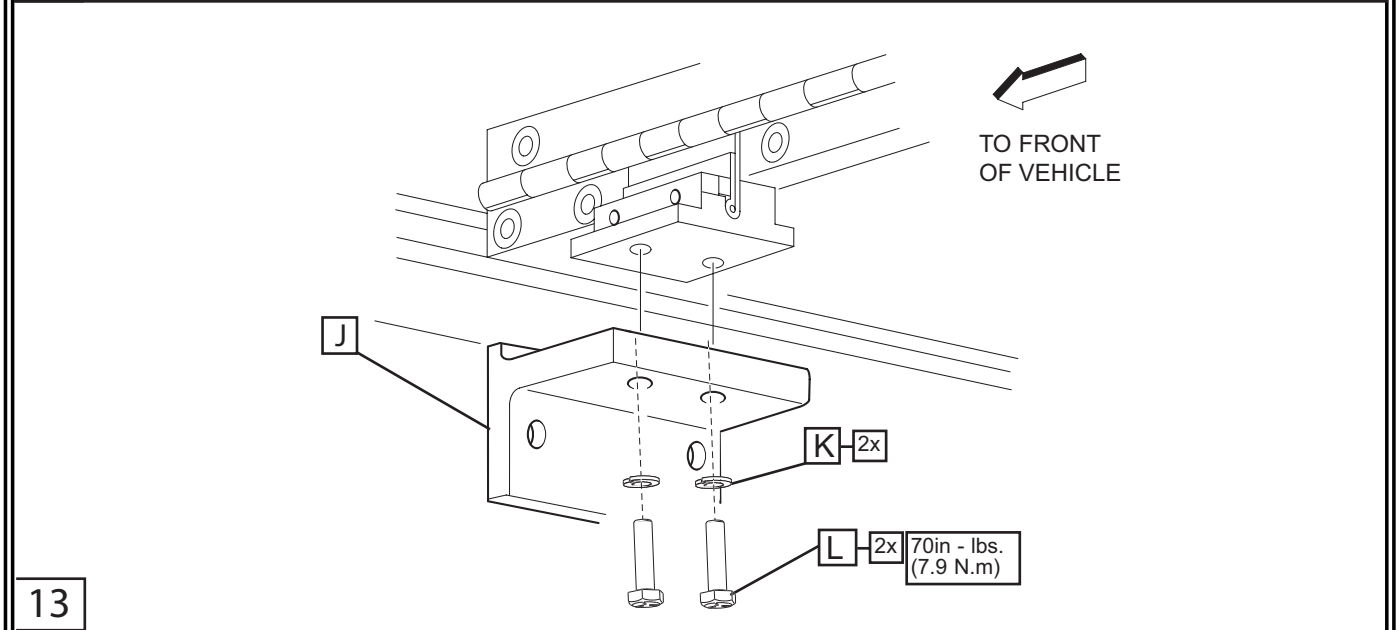
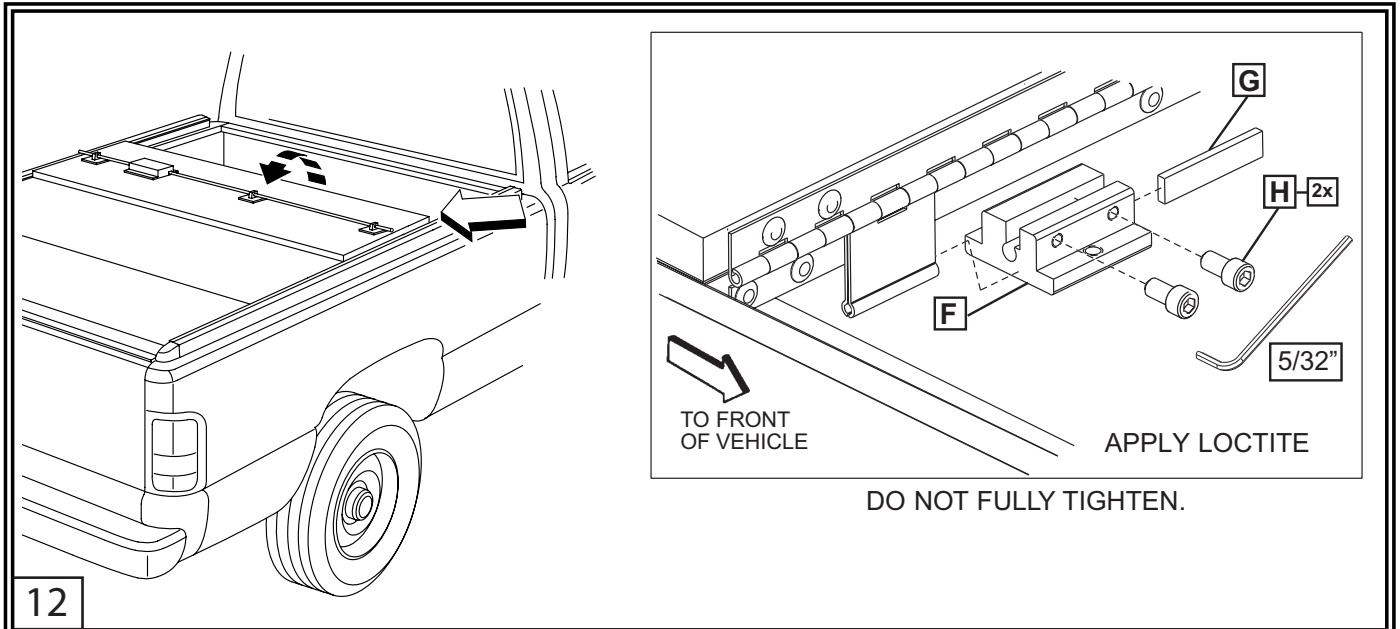


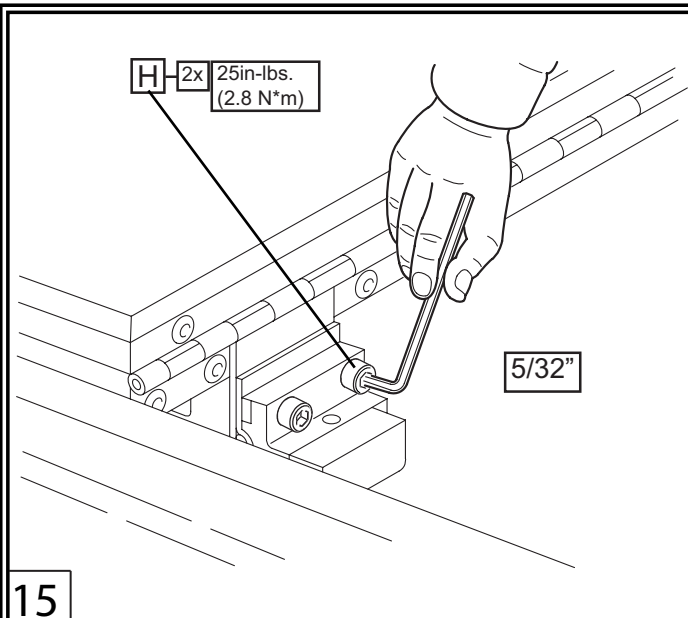
10

CENTER THE COVER AND SIDE RAILS EVENLY ONTO THE TRUCK BOX.
 THEN OPEN THE REAR AND FRONT PANELS TO TIGHTEN THE SCREWS.

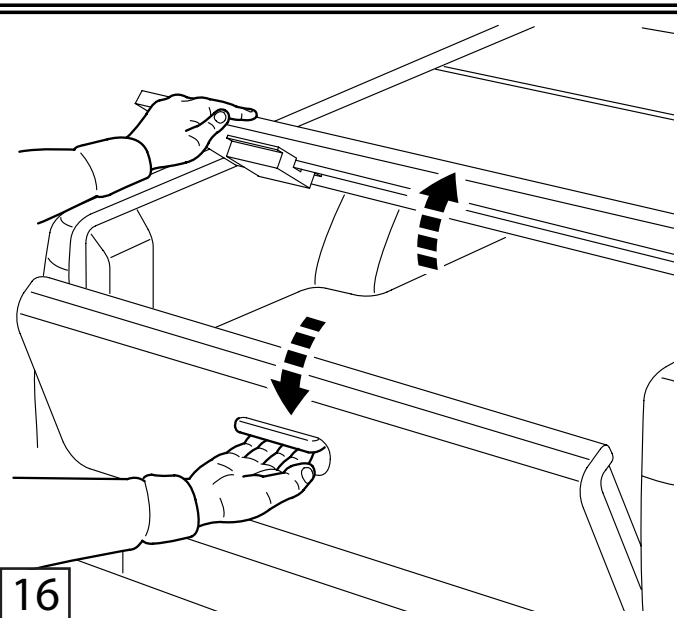


11

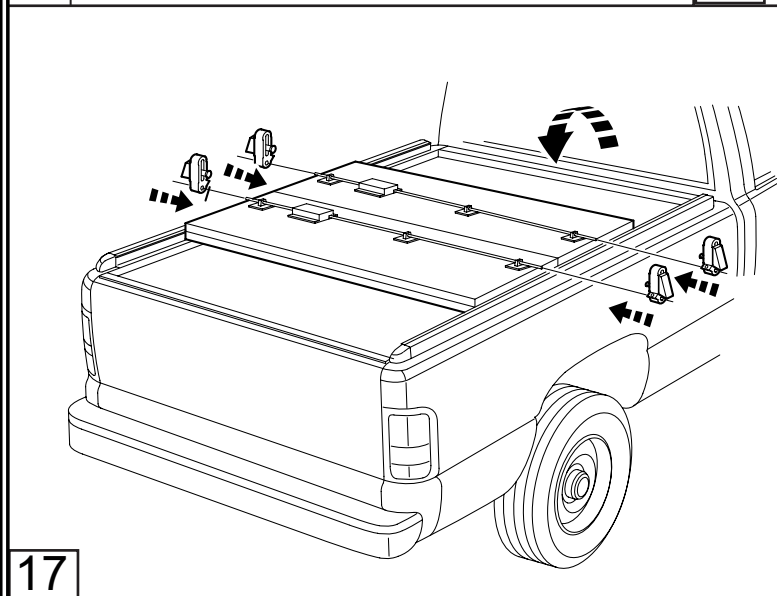




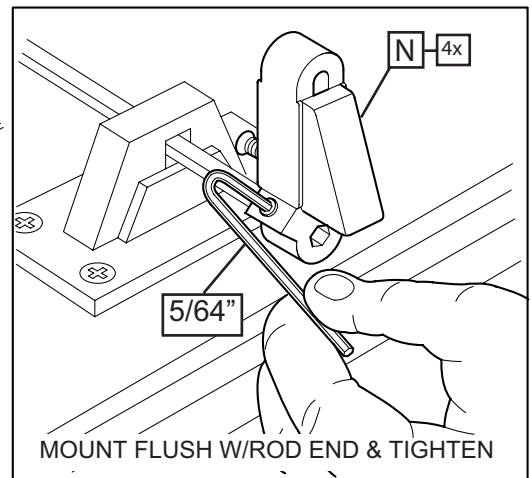
15



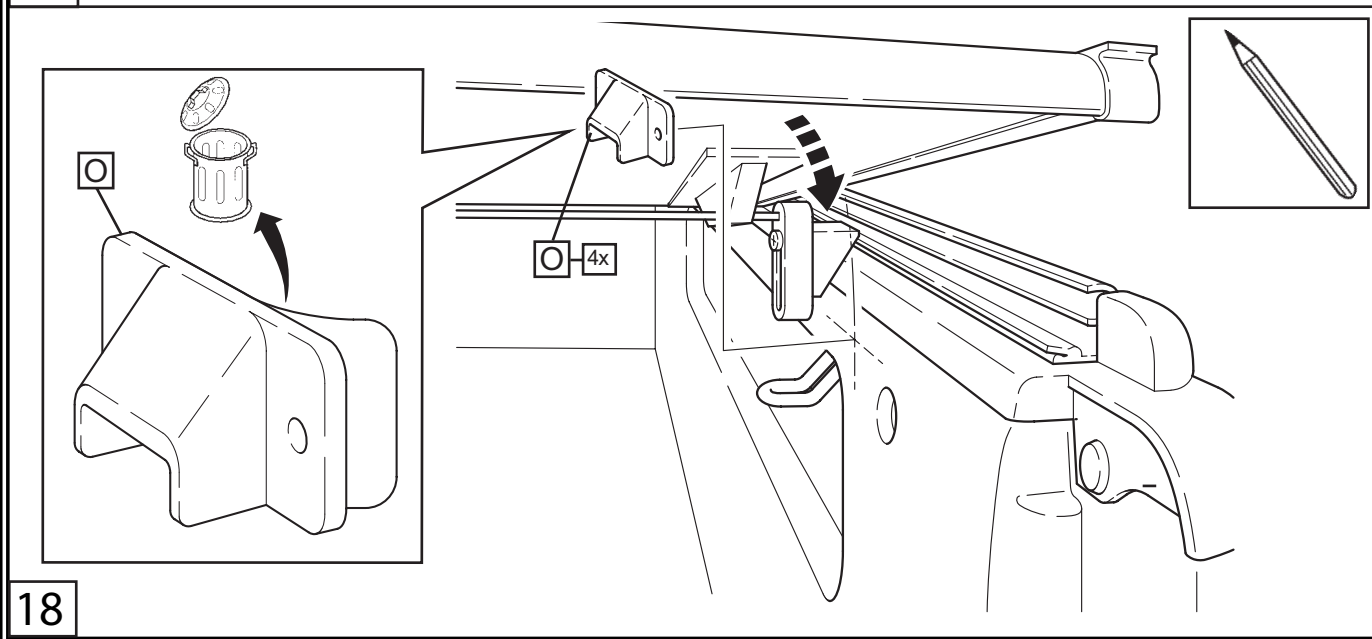
16



17



MOUNT FLUSH W/ROD END & TIGHTEN



18

