

Fold a Cover[®] / LS series

Built for your lifestyle

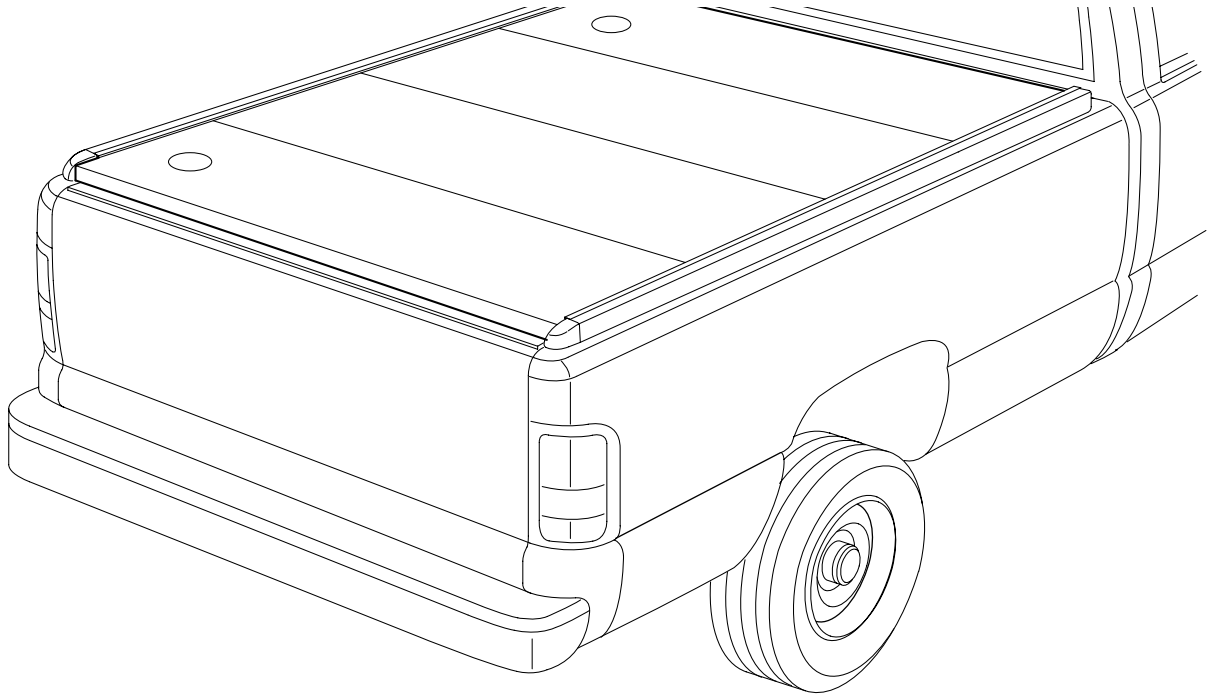
A Division of Steffens Enterprises, Inc.

4045 Karona Ct. • Caledonia, MI 49316

(616) 656-6886

Fax (616) 656-3771

HARD FOLDING TONNEAU COVER INSTALLATION INSTRUCTIONS - WITH STAKE POCKETS

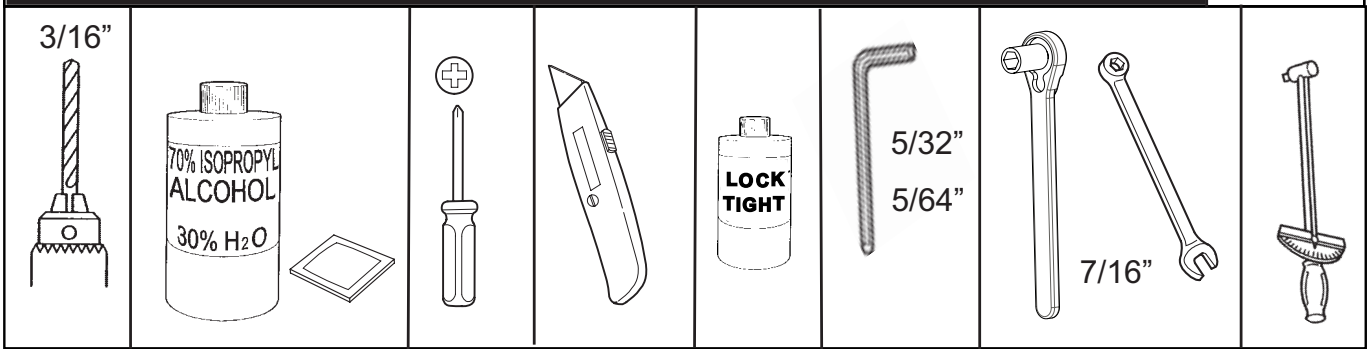
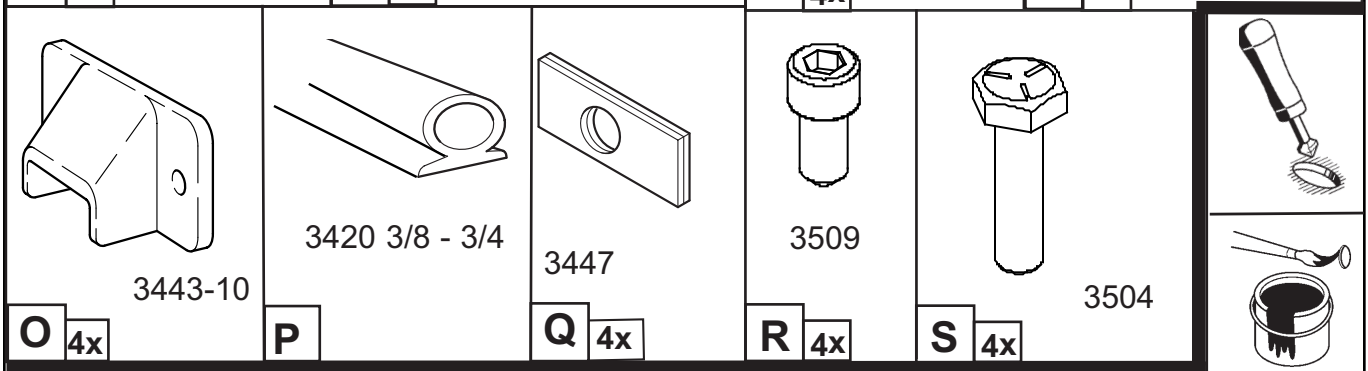
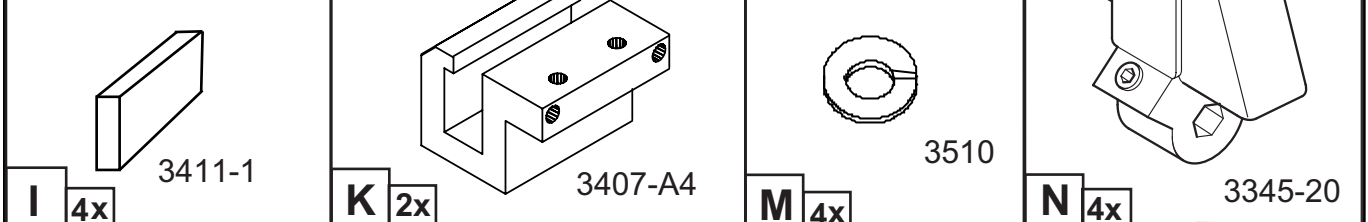
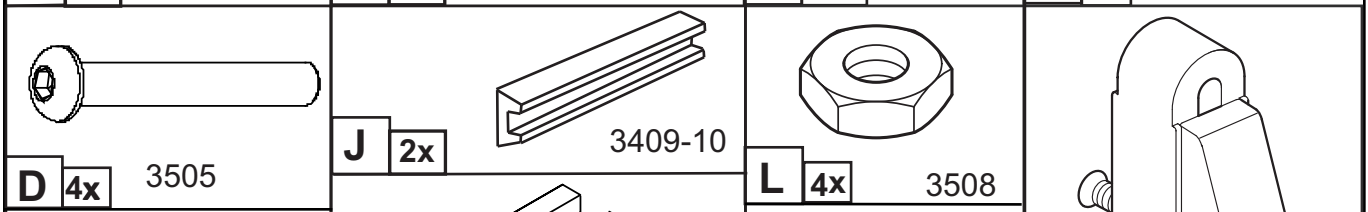
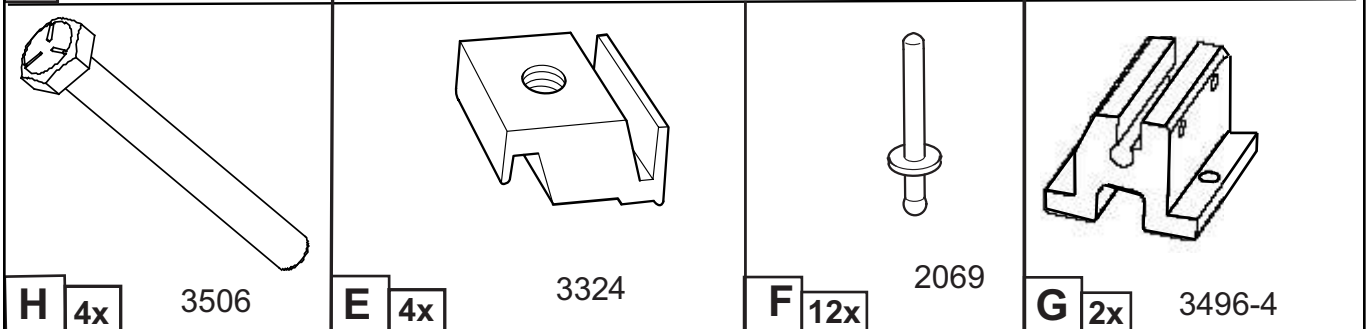
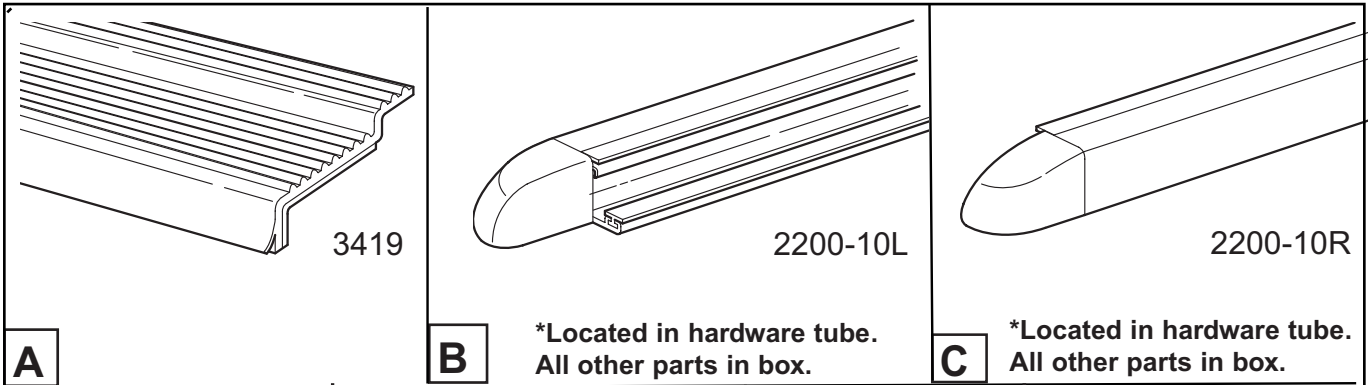


Notes to Installer:

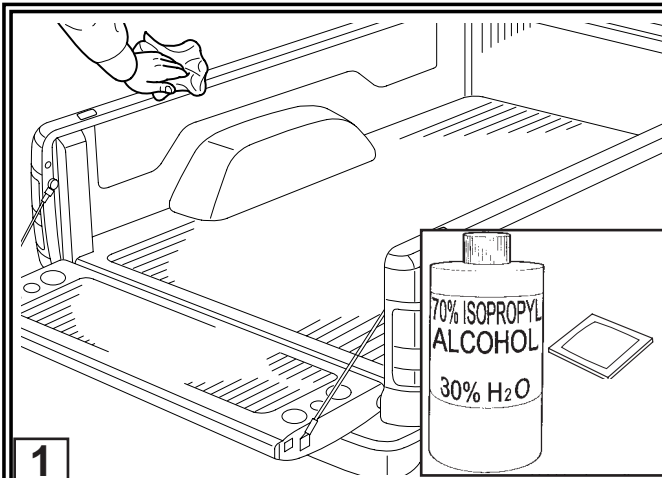
- Install Parts as shown on illustrations.
- Temperature should be no lower than 50° when installing.
- Be sure the truck is setting on a level surface.
- Apply a dab of lock tight to each fastener before use.
- Some trimming of bed liner may be required for proper fit and function.

Notes to customer:

- Record the key number and place in glove box or write it in your owner's manual.
- Refer to the Operation and Care Label located on the underside of the rearmost panel on cover (driver's side).

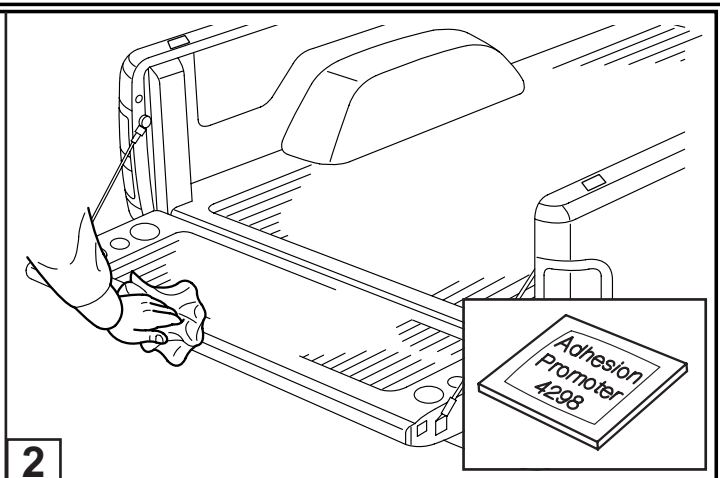


A	3419	Latch Strip
B	2200-10L	Driver Side Rail
C	2200-10R	Passenger Side Rail
D	3505	1/4-20 X 1 3/4 BHCS
E	3324	Stake Pocket Nut
F	2069	3/16" Pop Rivet S/S
G	3496-4	Hinge Bracket, Tall
H	3506	1/4-20 X 2 1/4 HHCS
I	3411-1	Hinge Bracket Shim
J	3409-10	C Clamp Shim
K	3407-A4	Clamp Bracket
L	3508	1/4-20 Jam Nut
M	3510	1/4" Lock Washer
N	3345-20	Rod End/Catch Post
O	3443-10	Catch Pocket
P	3420	D-Seal Large
Q	3447	Support Washer
R	3509	#10-32 X 1/2 SHCS
S	3504	1/4-20 X 1 HHCS



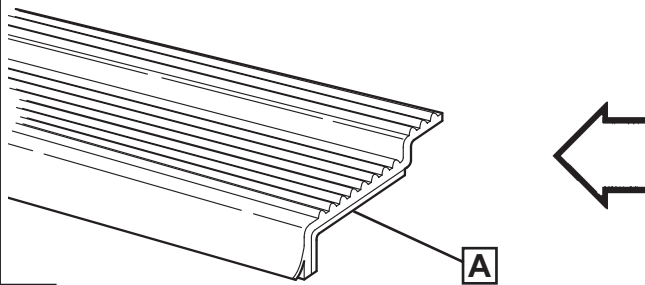
1

USE LATCH STRIP AS SHOWN FOR TRUCKS EQUIPPED WITH TAILGATE COVER.

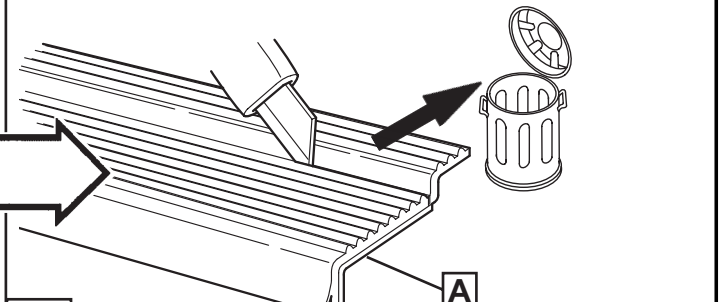


2

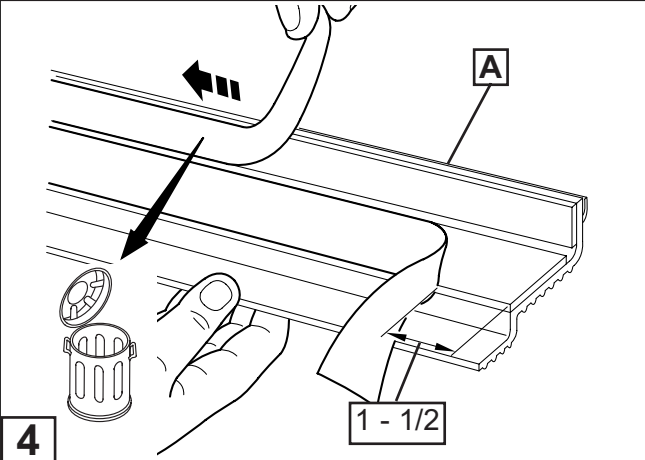
TRIM THE LATCH STRIP AS SHOWN FOR TRUCKS WITHOUT TAILGATE COVER.



3

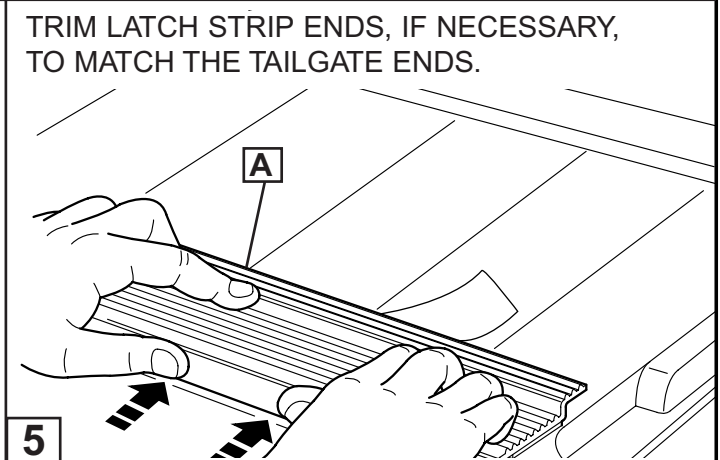


3A



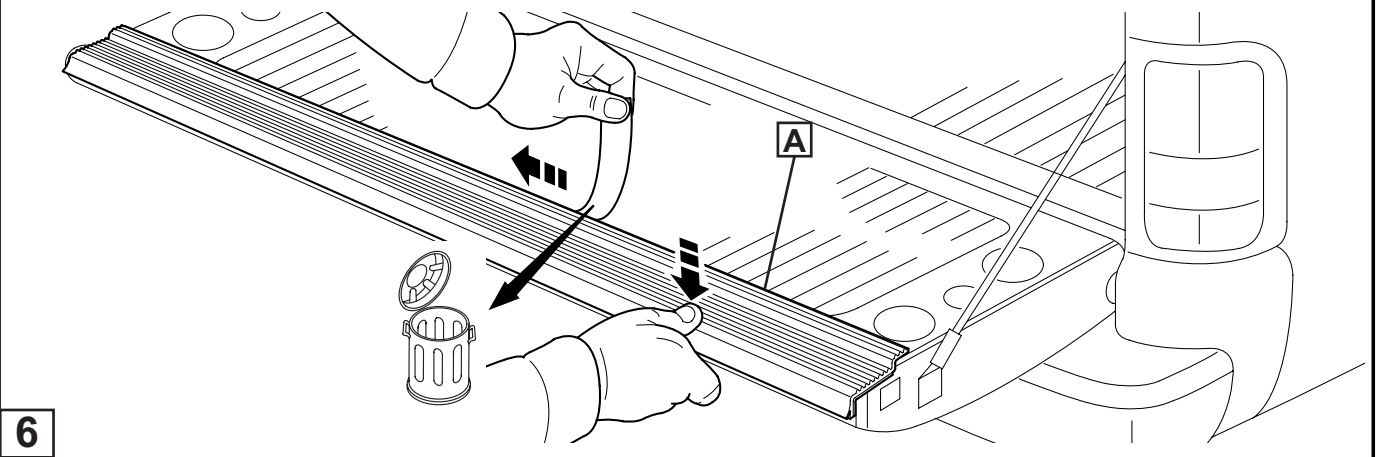
4

1 - 1/2

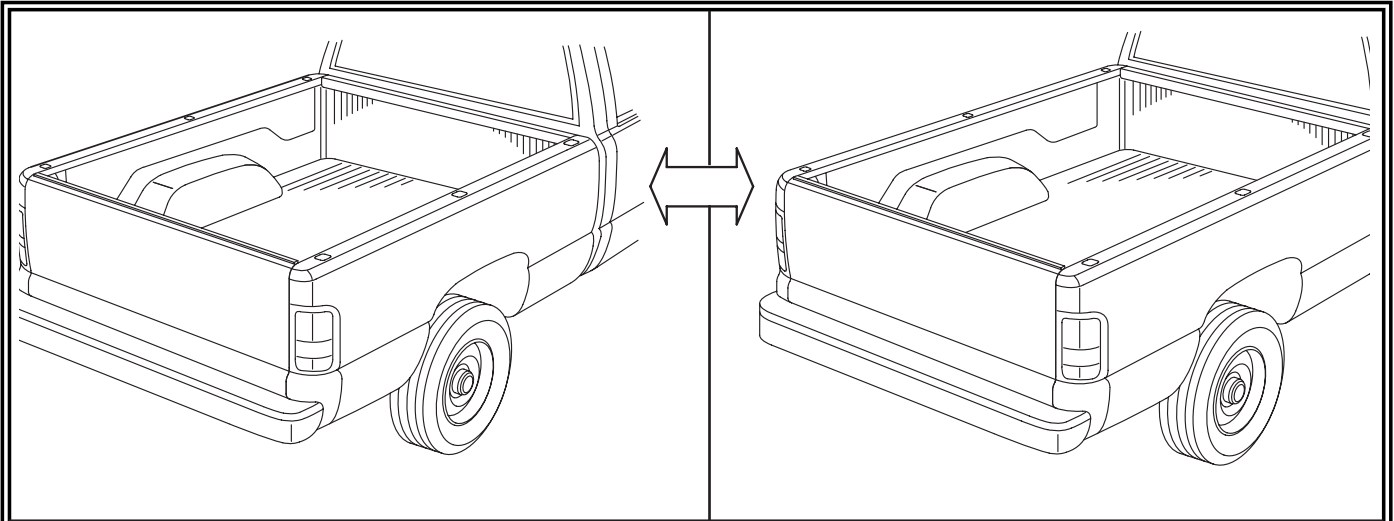


5

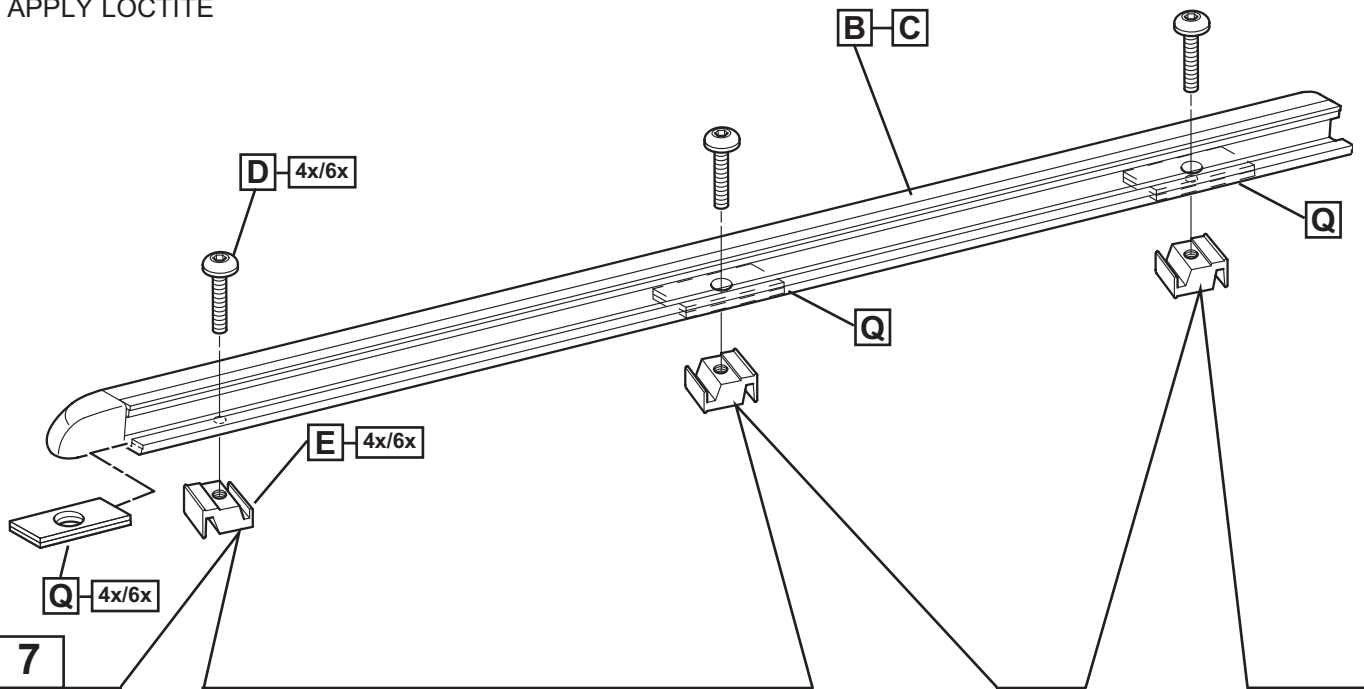
TRIM LATCH STRIP ENDS, IF NECESSARY, TO MATCH THE TAILGATE ENDS.



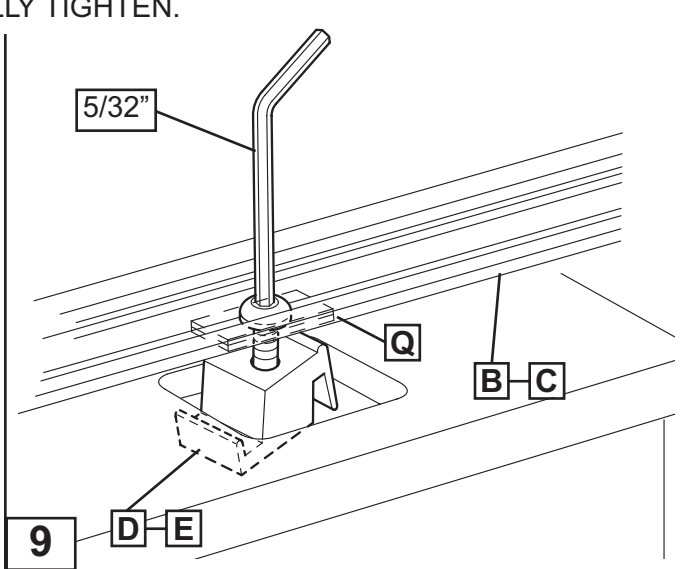
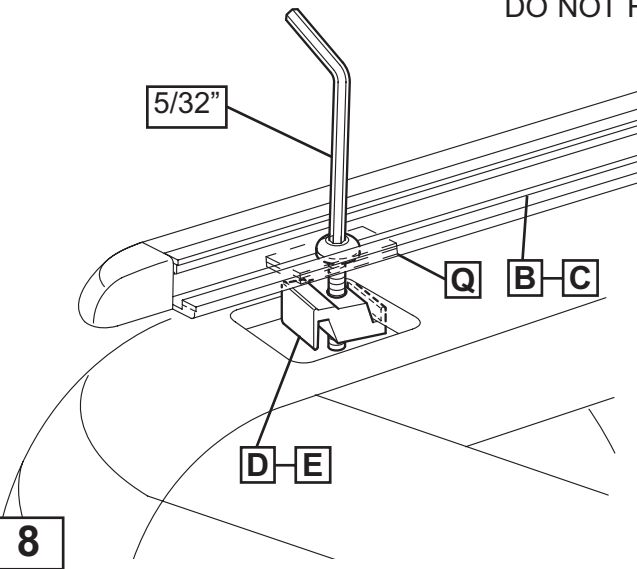
6

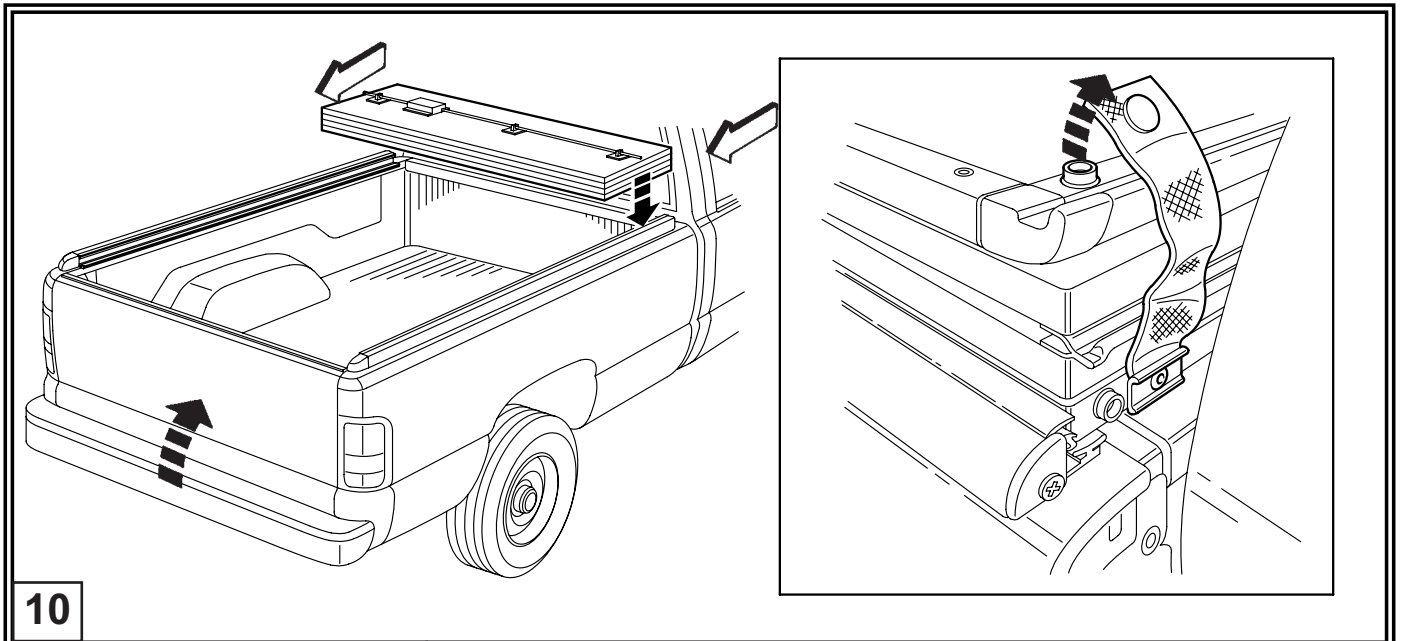


APPLY LOCTITE

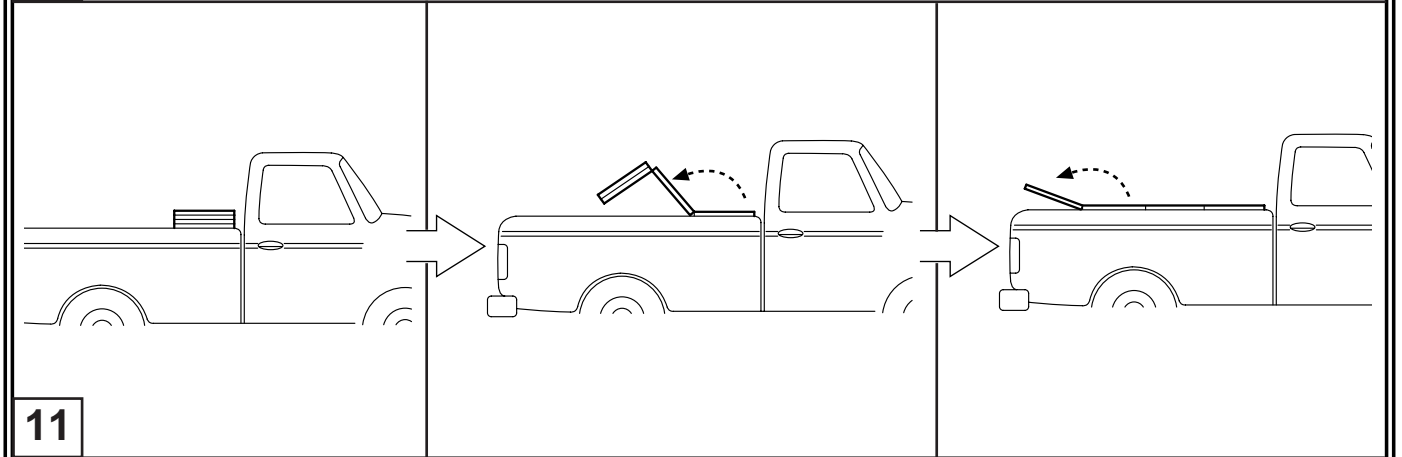


DO NOT FULLY TIGHTEN.



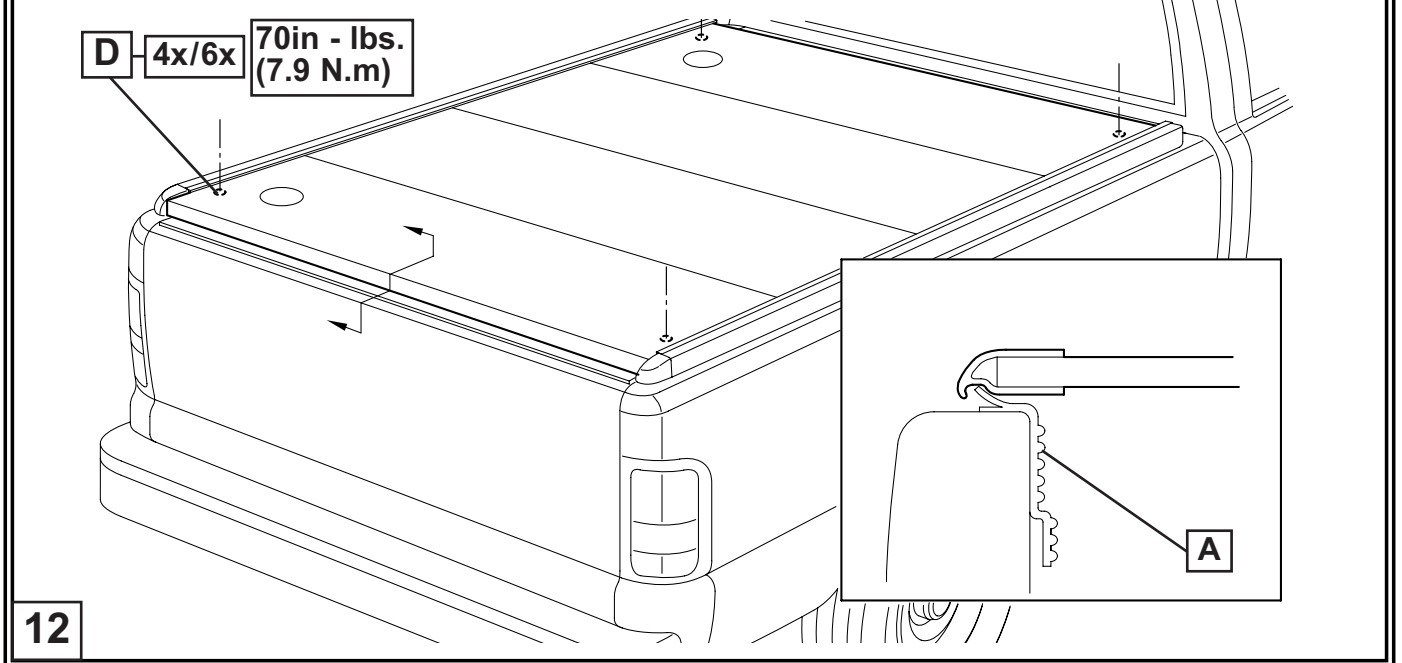


10

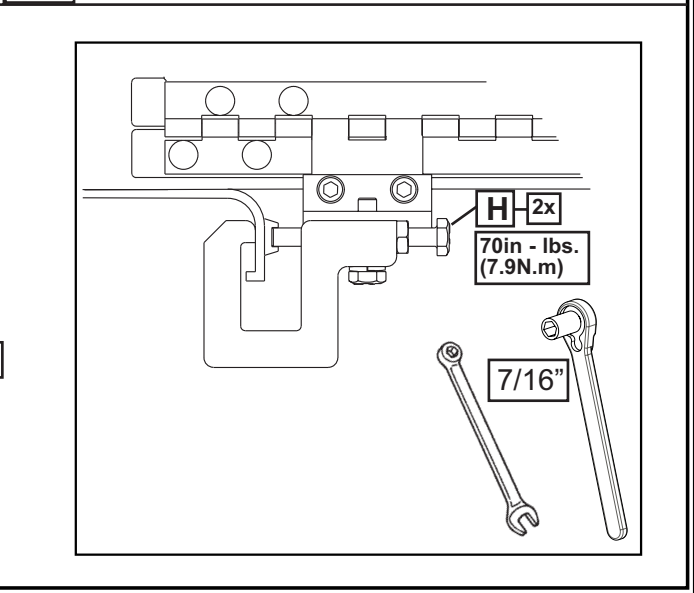
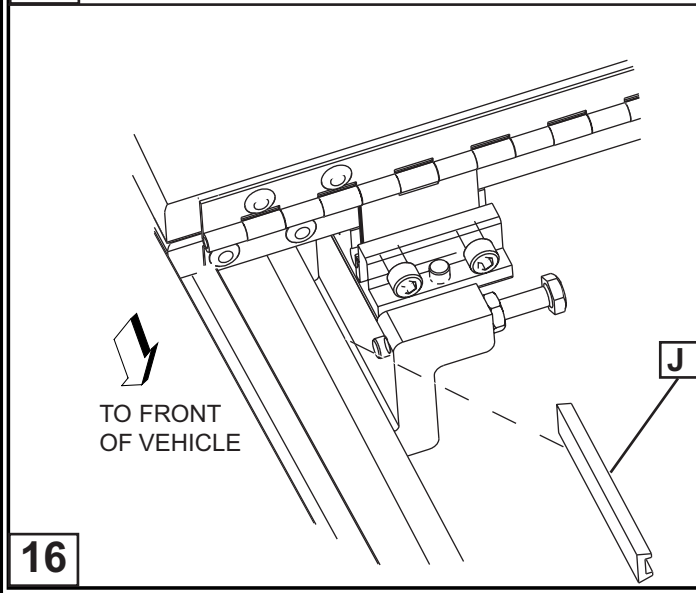
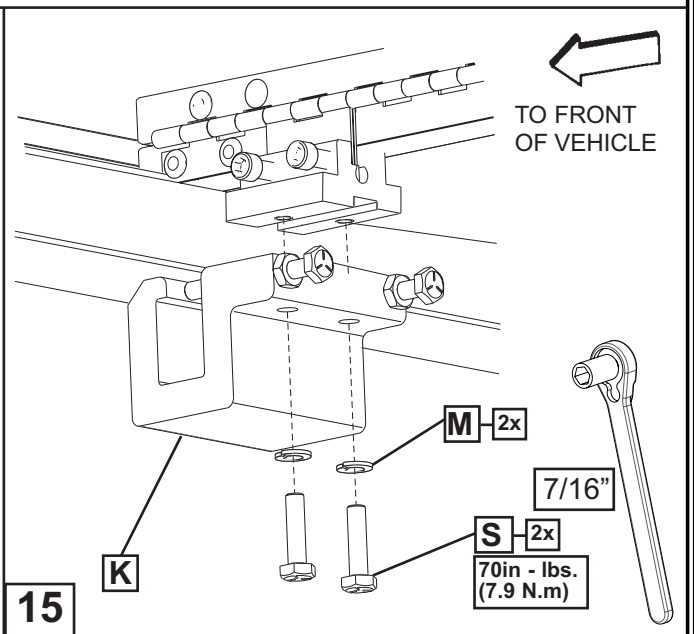
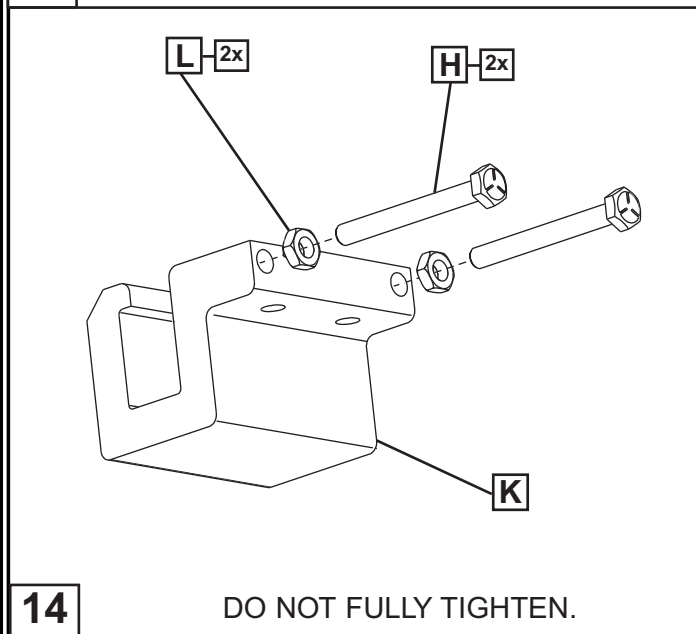
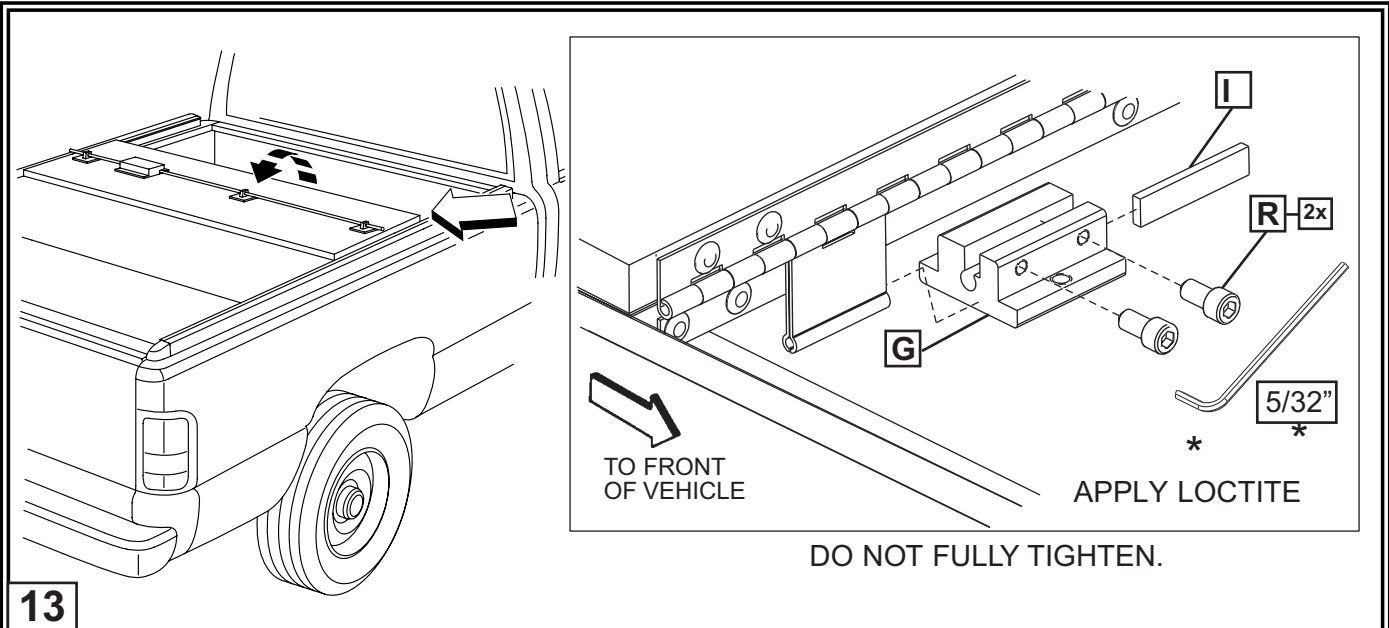


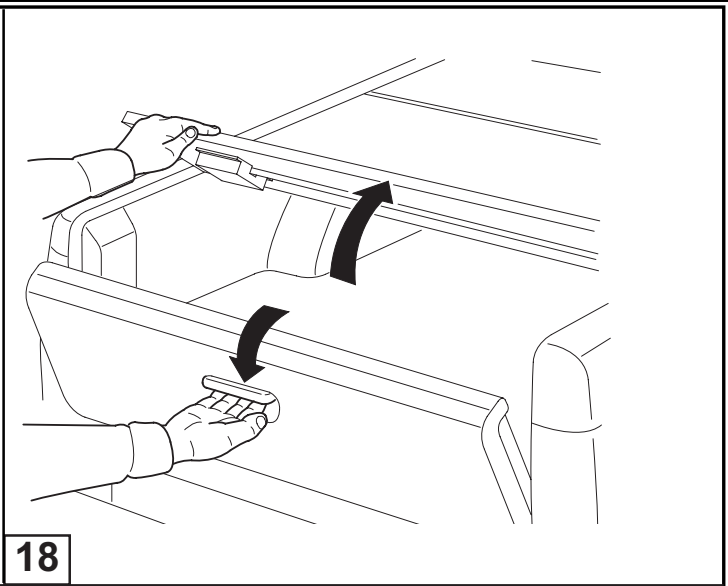
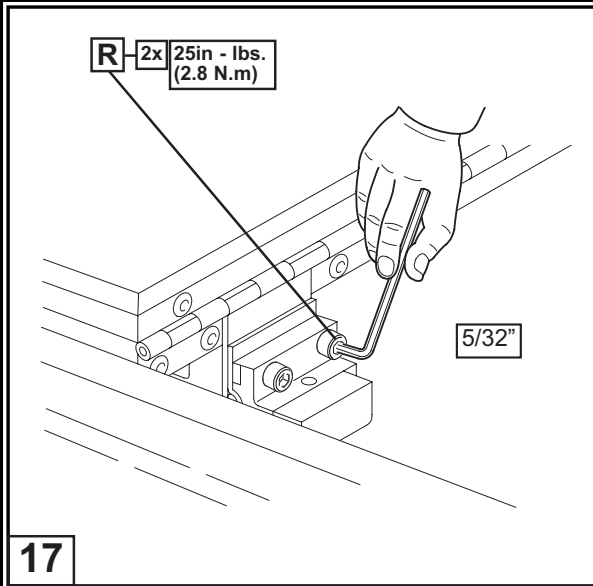
11

CENTER THE COVER AND SIDE RAILS EVENLY ONTO THE TRUCK BOX.
 THEN OPEN THE REAR AND FRONT PANELS TO TIGHTEN THE SCREWS.



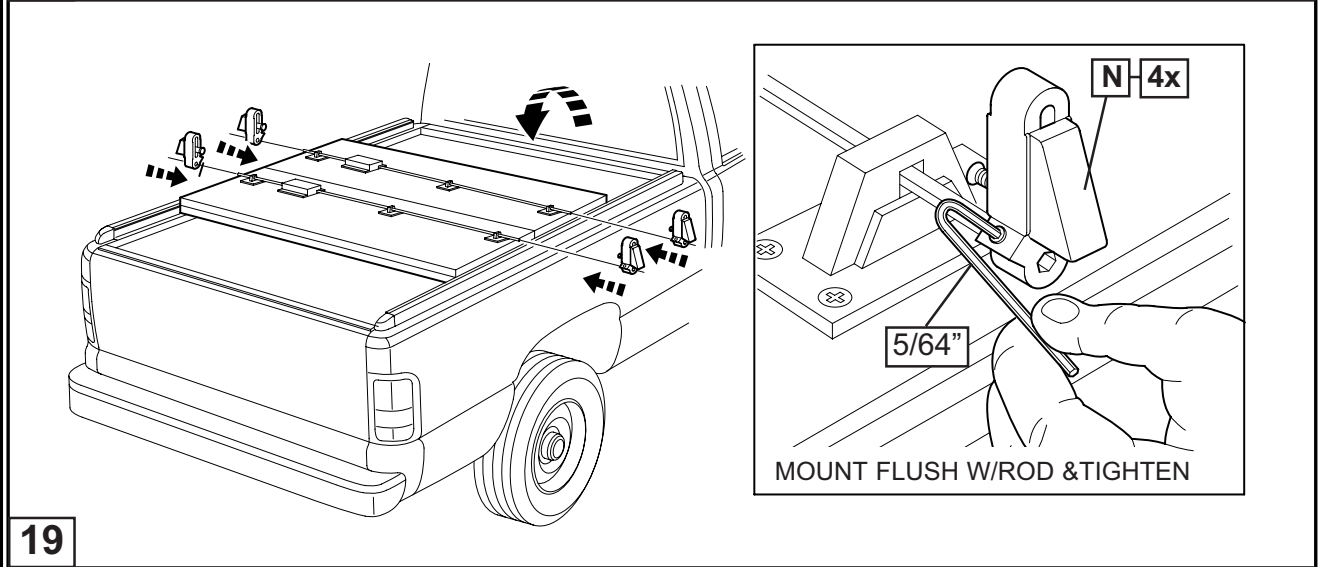
12



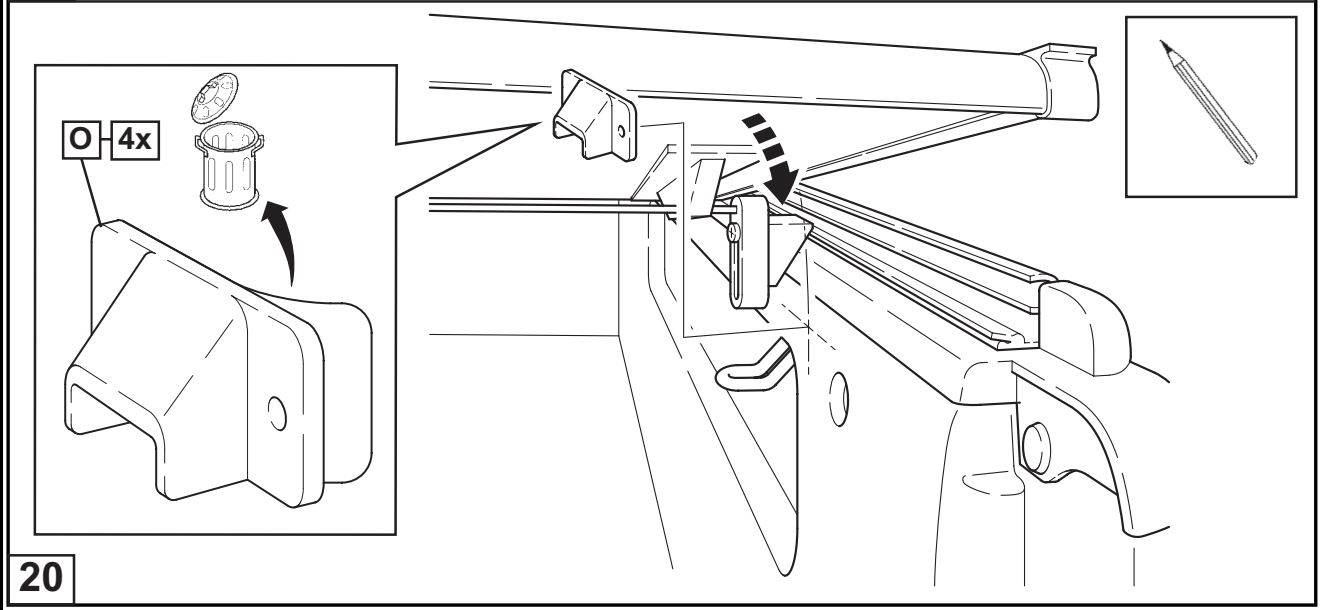


17

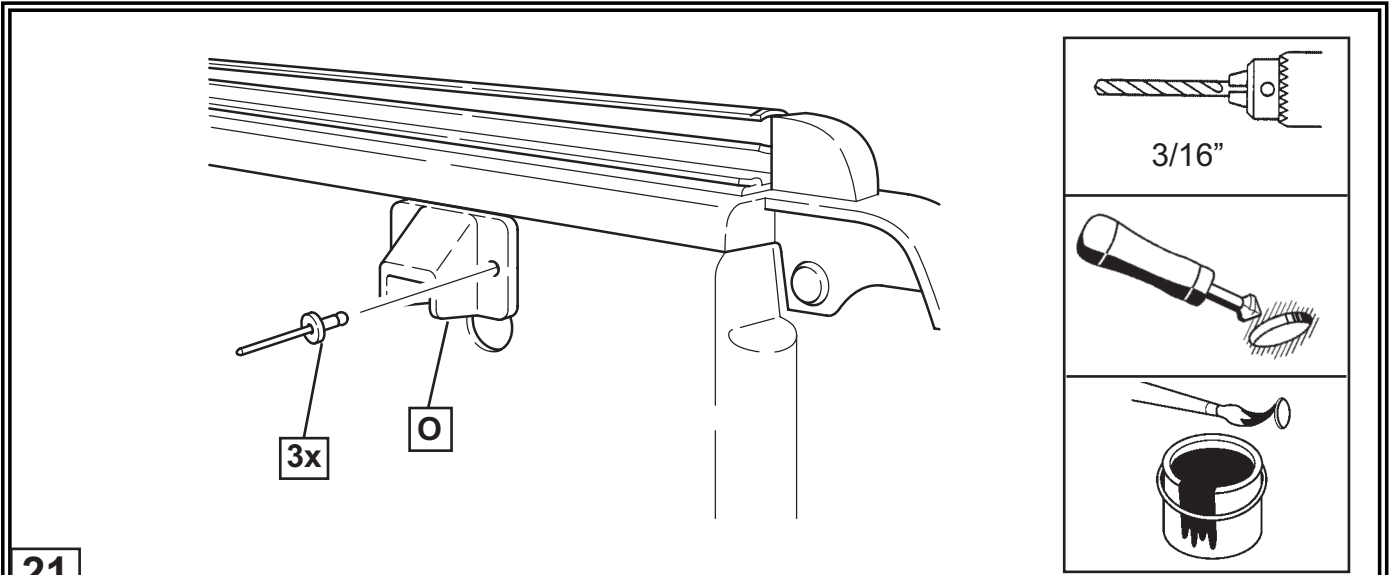
18



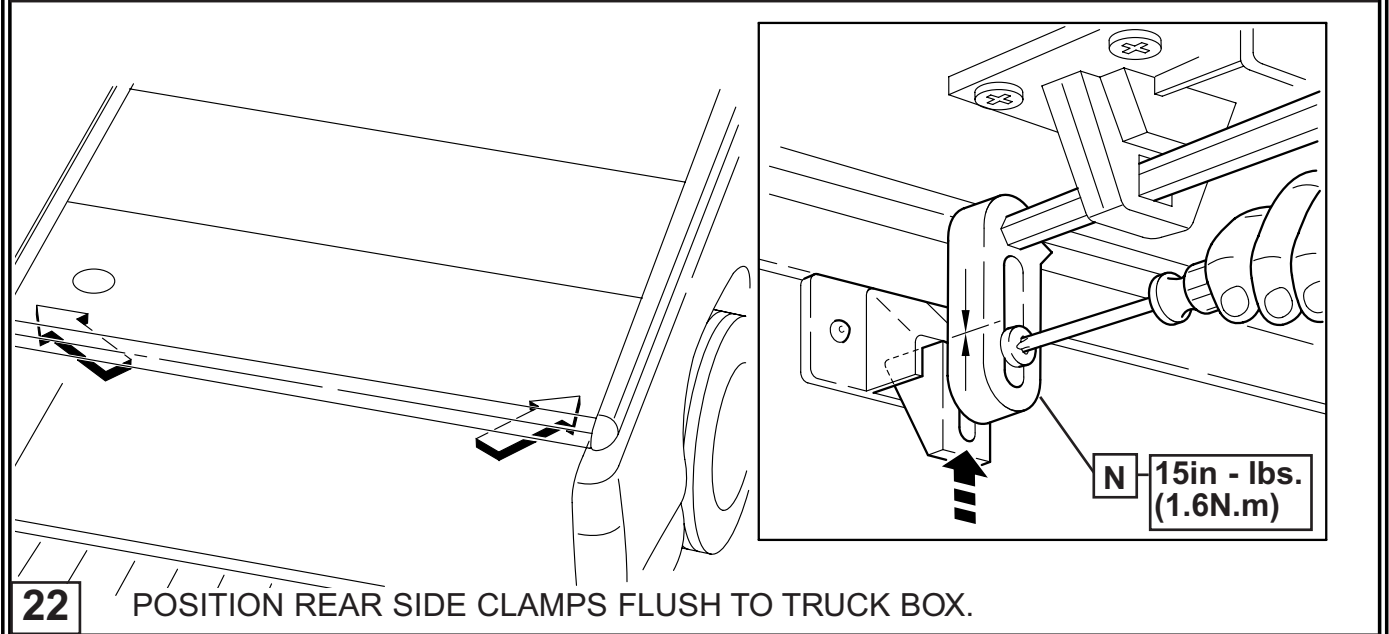
19



20

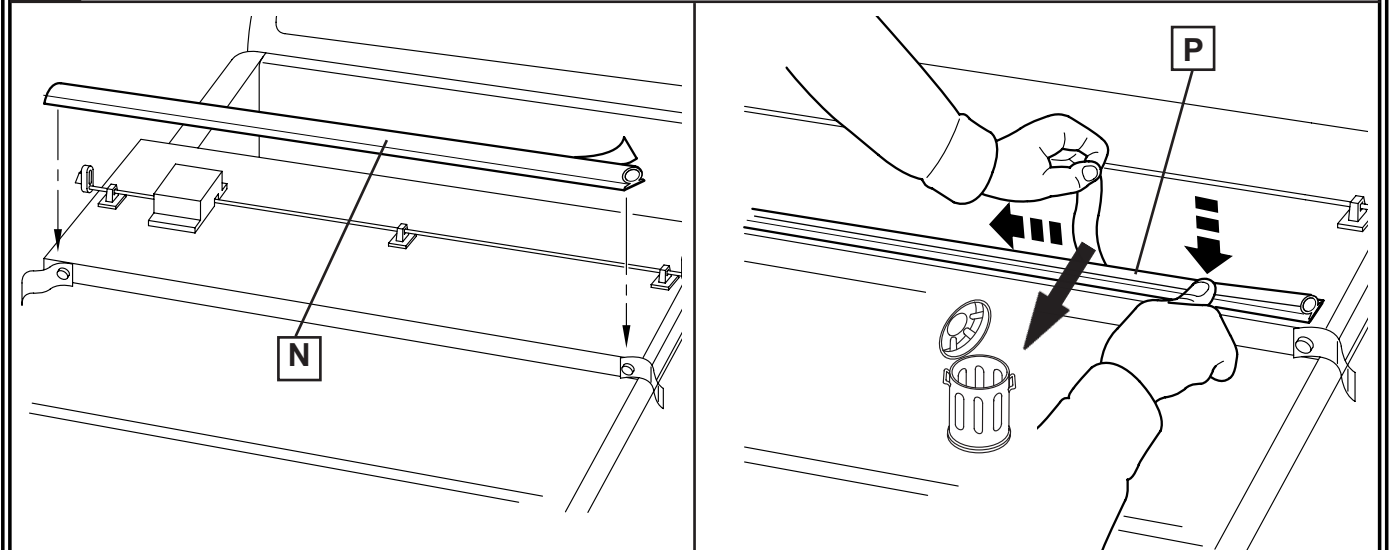


21



22

POSITION REAR SIDE CLAMPS FLUSH TO TRUCK BOX.



23

24

RE-ADJUST ROD ENDS AS NECESSARY