

Fold a Cover[®] / LS series

Built for your lifestyle

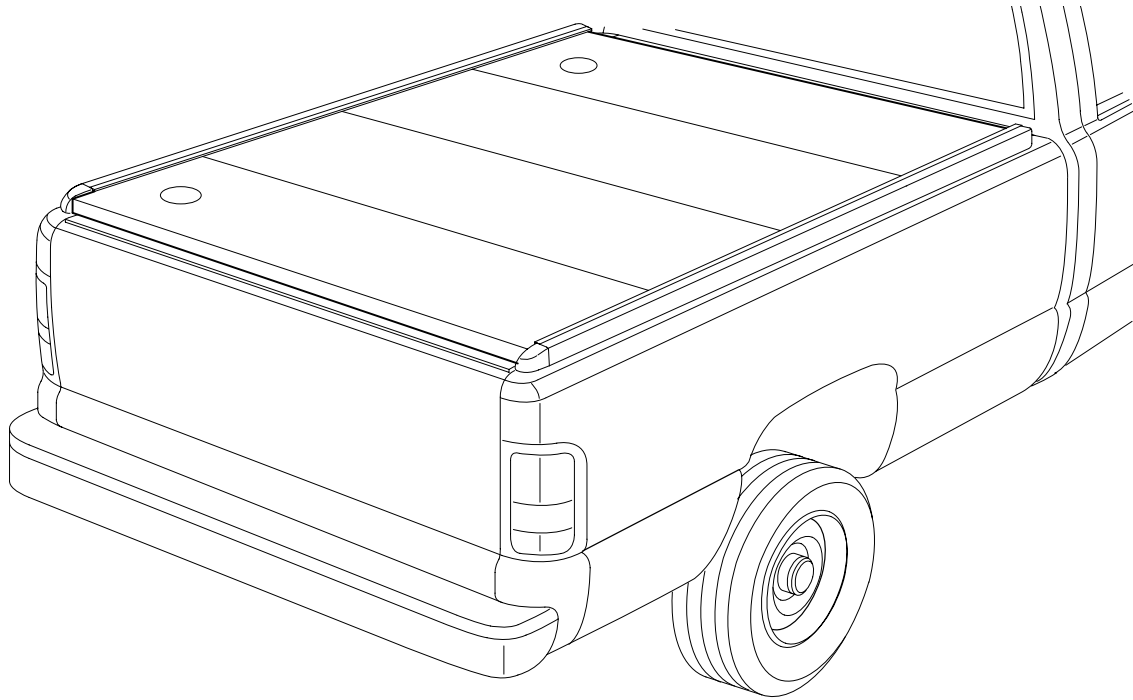
A Division of Steffens Enterprises, Inc.

4045 Karona Ct. • Caledonia, MI 49316

(616) 656-6886

Fax (616) 656-3771

HARD FOLDING TONNEAU COVER INSTALLATION INSTRUCTIONS - WITHOUT STAKE POCKETS.

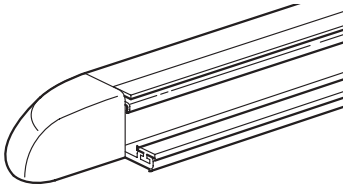
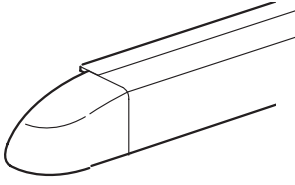
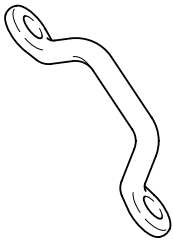
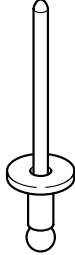
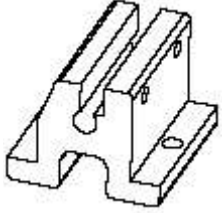


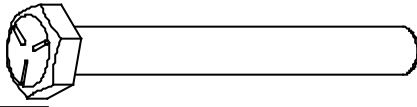

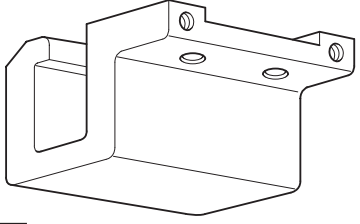

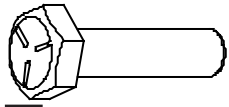
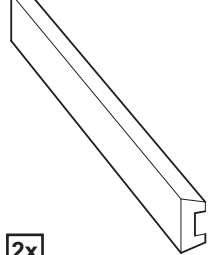
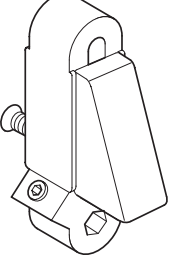

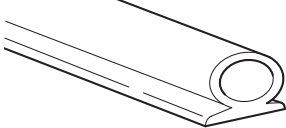
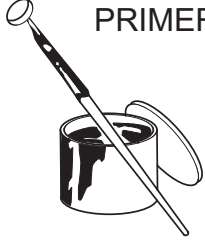
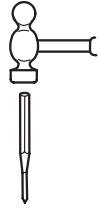
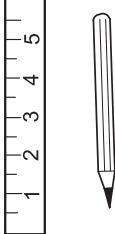
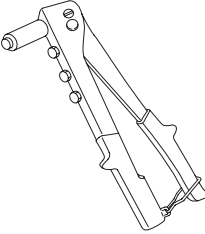
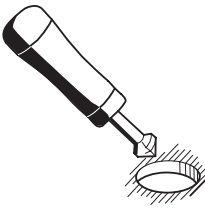



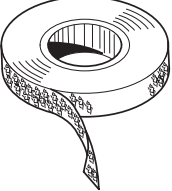

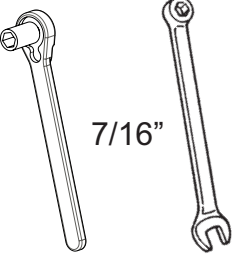
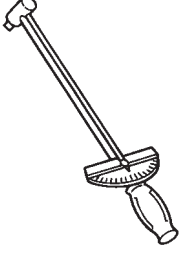


Notes to Installer:

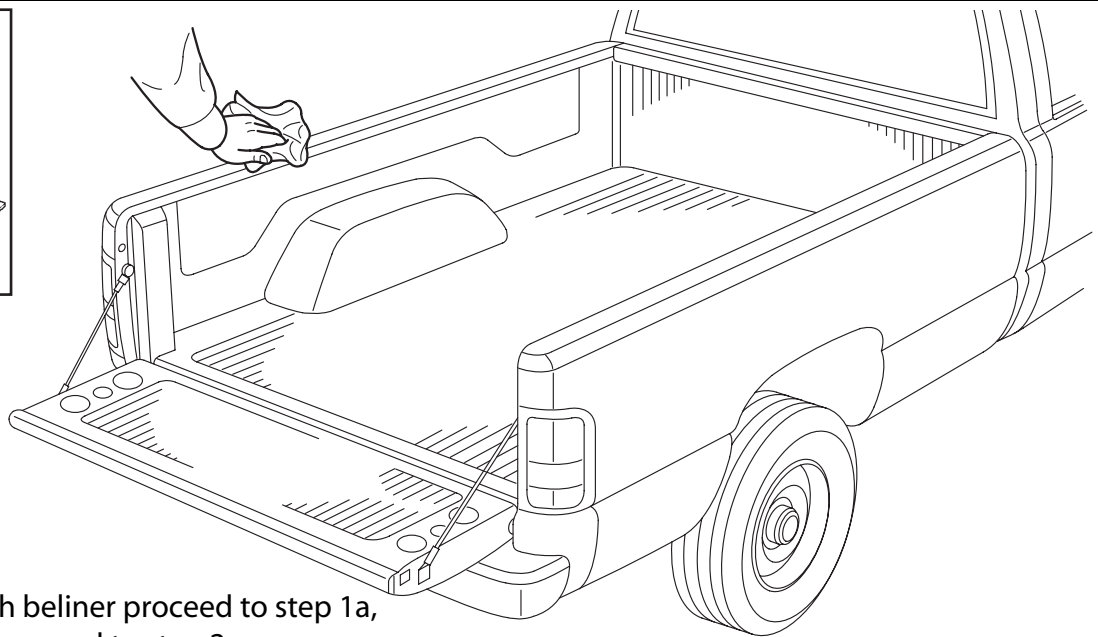
- Install Parts as shown on illustrations.
- Temperature should be no lower than 50° when installing.
- Be sure the truck is setting on a level surface.
- Apply a dab of lock tight to each fastener before use.
- Some trimming of bed liner may be required for proper fit and function.

Notes to customer:

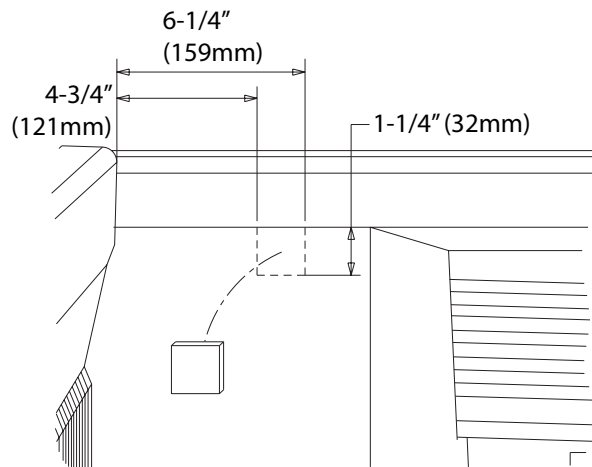
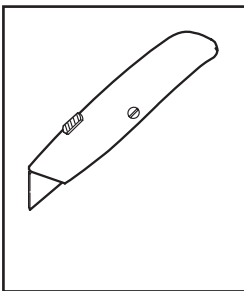
- Record the key number and place in glove box or write it in your owner's manual.
- Refer to the Operation and Care Label located on the underside of the rearmost panel on cover (driver's side).

 <p>*Included in kit DG-2464 shipped in pkg 2 of 2 for DG-2462.</p> <p>A 2200-10L</p>	 <p>*Included in kit DG-2464 shipped in pkg 2 of 2 for DG-2462.</p> <p>B 2200-10R</p>	 <p>C 2070</p>	 <p>D 2x 2069</p>		
 <p>E 2x 3496-4</p>	 <p>F 2x 3411-1</p>	 <p>G 4x 3509</p>	 <p>H 4x 3506</p>  <p>I 4x 3508</p>		
 <p>J 2x 3407-5</p>	 <p>K 4x 3510</p>  <p>L 4x 3504</p>	 <p>M 2x 3409-10</p>			
 <p>N 4x 3345-20</p>	 <p>O 4x 3347-1</p>	 <p>P 3435 1/8 - 3/8</p>			
 <p>PRIMER</p>					 <p>3/16" (4.7mm)</p>
 <p>70% ISOPROPYL ALCOHOL 30% H₂O</p>			 <p>5/32" 5/64"</p>	 <p>7/16"</p>	

A	2200-10L	Driver Side Rail
B	2200-10R	Passenger Side Rail
C	2070	Footman's Loop
D	2069	3/16" Pop Rivet S/S
E	3496-4	Hinge Bracket
F	3411-1	Hinge Bracket Shim
G	3509	#10-32 x 1/2 SHCS
H	3506	1/4-20 x 2 1/4 HHCS
I	3508	1/4-20 Jam Nut
J	3407-5	C-Clamp
K	3510	1/4" Lock Washer
L	3504	1/4-20 x 1 HHCS
M	3409-10	C-Clamp Shim
N	3345-20	Rod End and Catch Post
O	3347-1	Wear Tape
P	3435	D-Seal

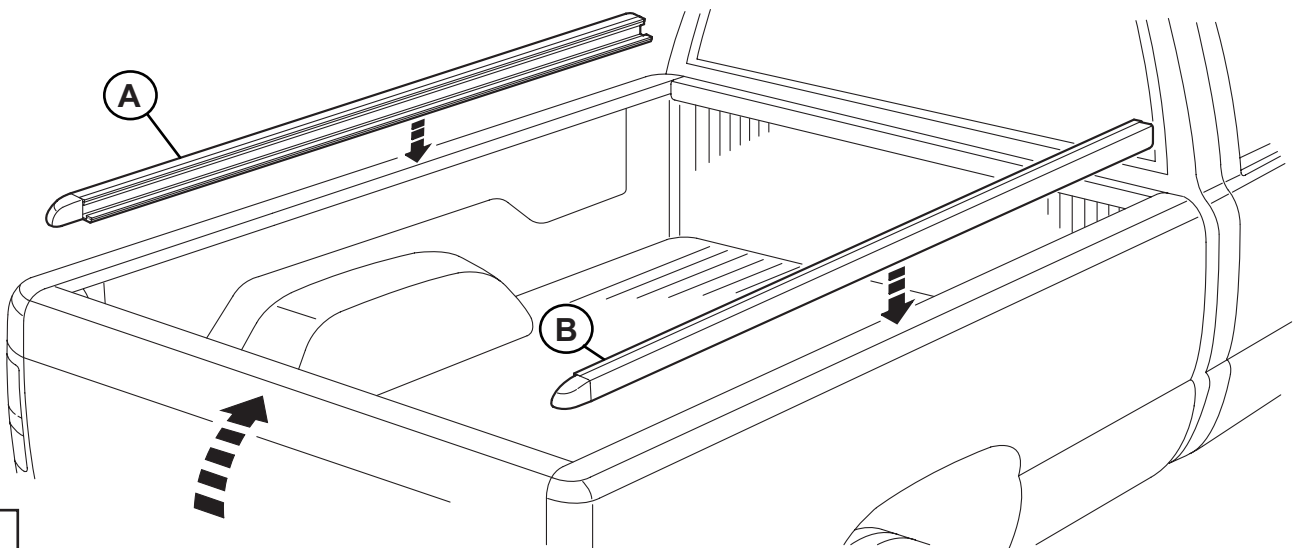


1 Vehicle with beliner proceed to step 1a, otherwise proceed to step 2.

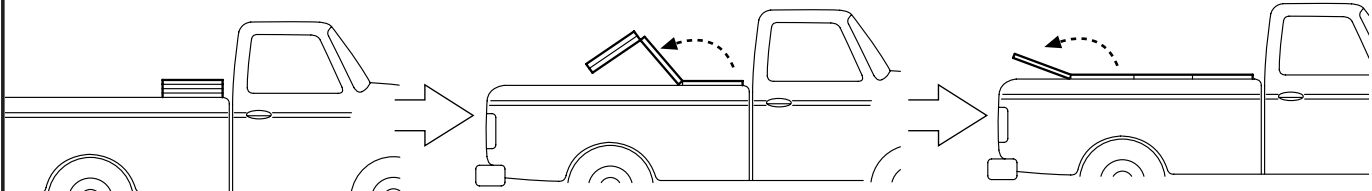
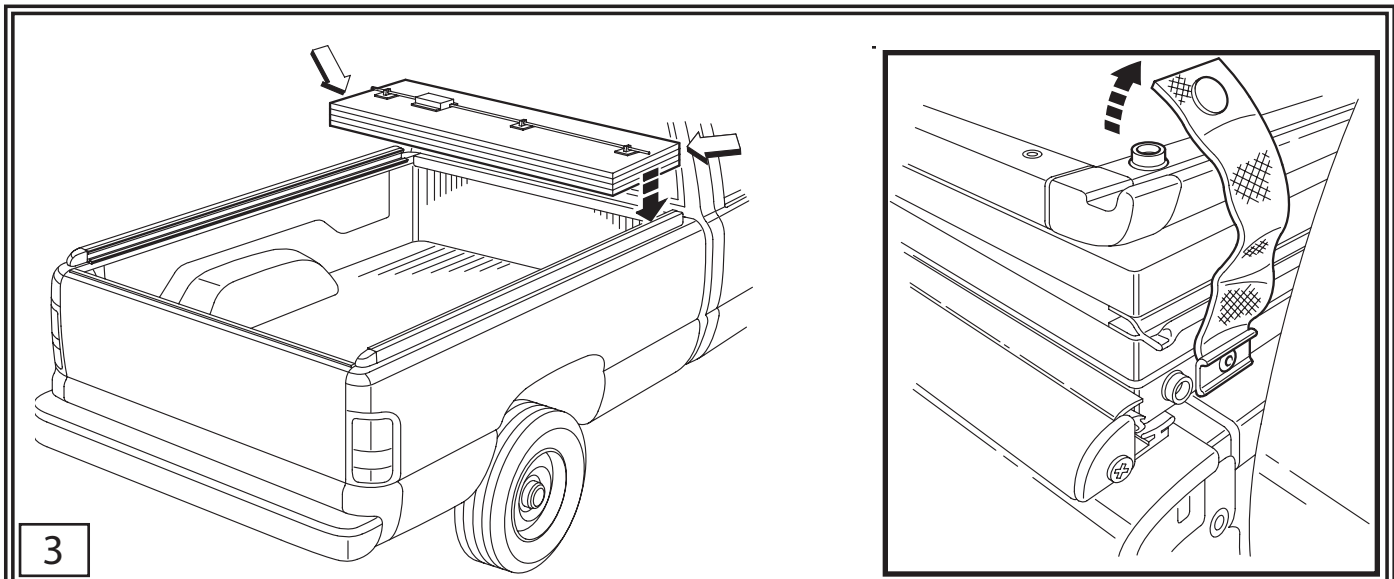


*Measure and mark trim-out locations on bedliner. Repeat this step for opposite side of bedliner. Trim out notches on both sides of bedliner. Close front panel to insure latches are seating under bed rails through cut outs. Additional trimming may be necessary for proper operation of latches.

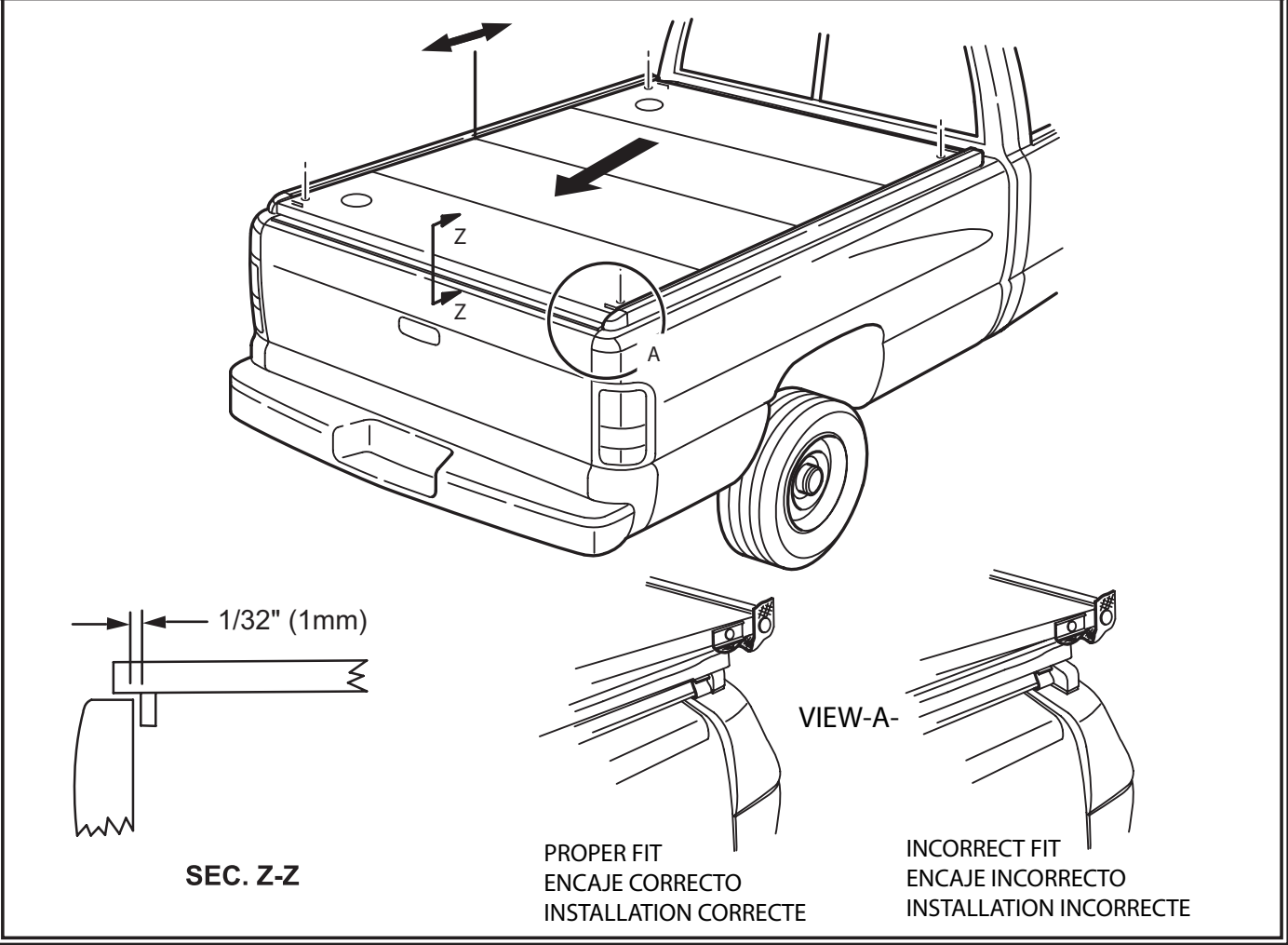
1a

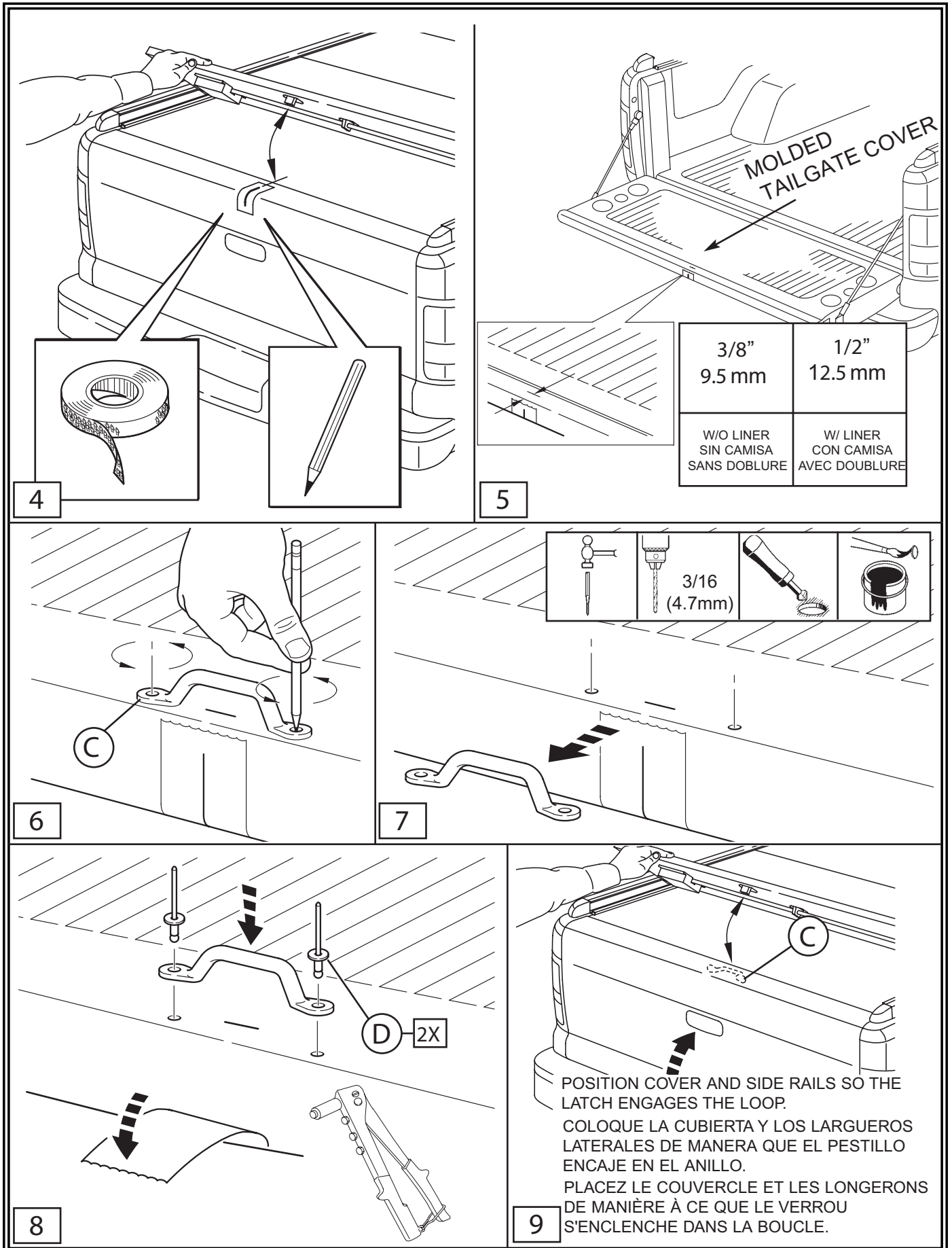


2



CENTER THE COVER AND SIDE RAILS EVENLY ONTO THE TRUCK BOX.





4

5

6

7

8

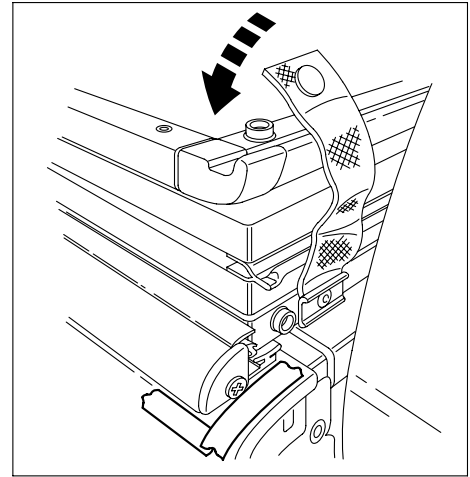
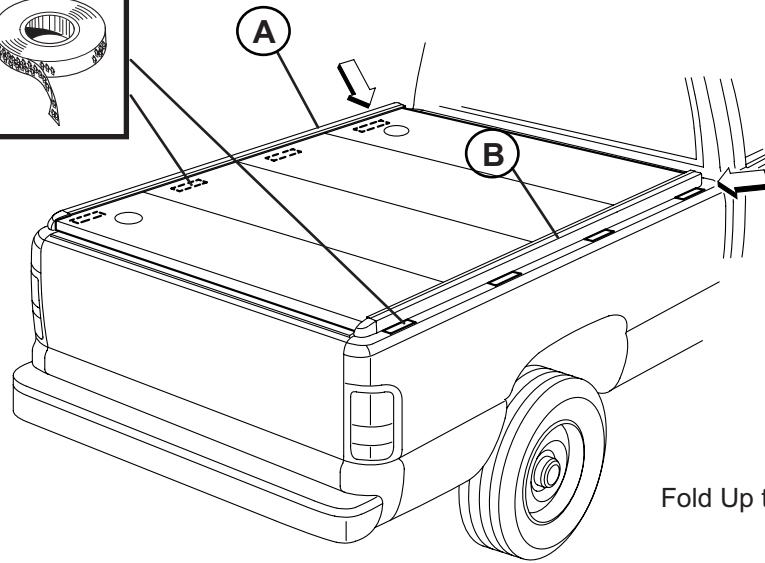
9

MOLDED
TAILGATE COVER

3/8" 9.5 mm	1/2" 12.5 mm
W/O LINER SIN CAMISA SANS DOBLURE	W/ LINER CON CAMISA AVEC DOBLURE

		3/16 (4.7mm)		
--	--	-----------------	--	--

POSITION COVER AND SIDE RAILS SO THE LATCH ENGAGES THE LOOP.
 COLOQUE LA CUBIERTA Y LOS LARGUEROS LATERALES DE MANERA QUE EL PESTILLO ENCAJE EN EL ANILLO.
 PLACEZ LE COUVERCLE ET LES LONGERONS DE MANIÈRE À CE QUE LE VERROU S'ENCLENCHE DANS LA BOUCLE.



Fold Up the Cover and REMOVE it from the Side Rails

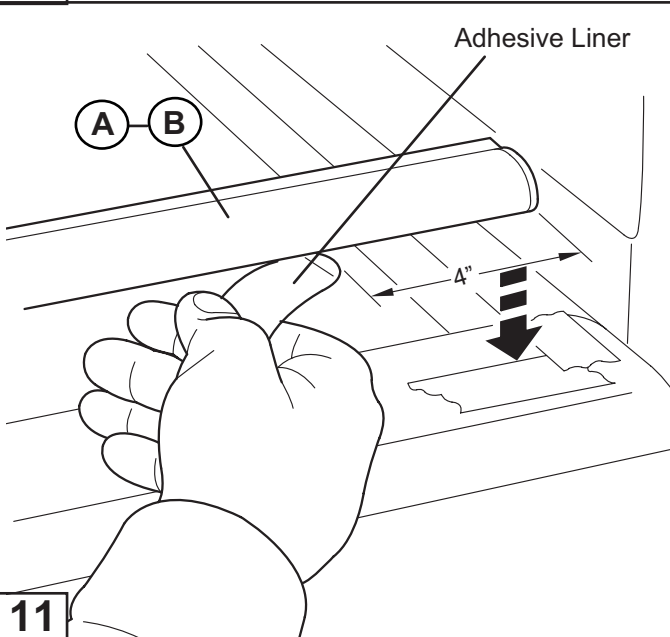
Notes:

1. Cycle Rear Panel Up & Down to Insure there is No Interference with Vehicle Components. (Adjust as Needed)
2. Insure the Cover is Aligned (Front to Back) with the Side Rails.
3. Now Center the Cover and Rails (Left to Right) to obtain Best Appearance to the Truck Bed.
 - The Panels should almost be touching the Seals on the Side Rails - about 1/32" or 1mm
4. Add Strips of Masking Tape, as Shown Above, along the Sides and Fronts of the Side Rails.

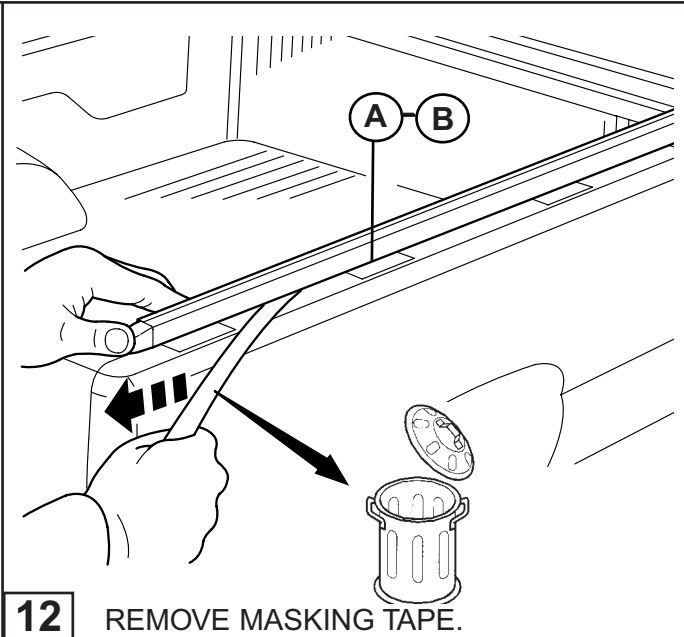
After you REMOVE the Cover

1. Starting at the Front of the Rail peel back about 4" of the Adhesive Liner, as Shown Below.
2. Position the Rail using the Masking Tape at the Front and Press Down.
3. Slowly Remove the rest of the Liner as you make sure to use the Masking Tape to position the Rails Correctly.
4. Repeat for other side.
5. Gently Press Down Along the length of the Rail to Insure Proper Adhesion.
 - Be Careful Not to Mar the Painted Surface of the Side Rails.

10

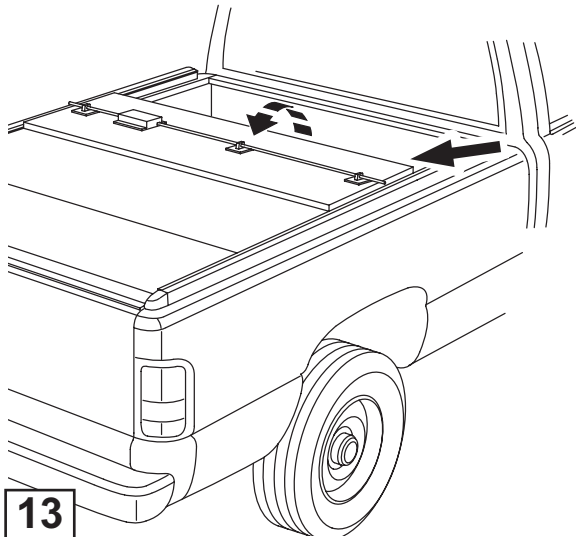


11

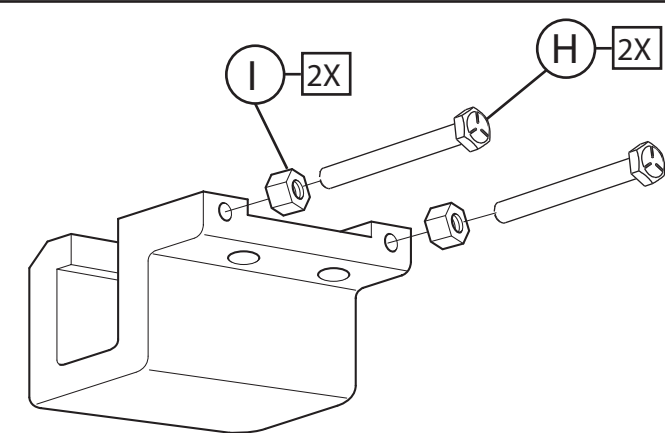
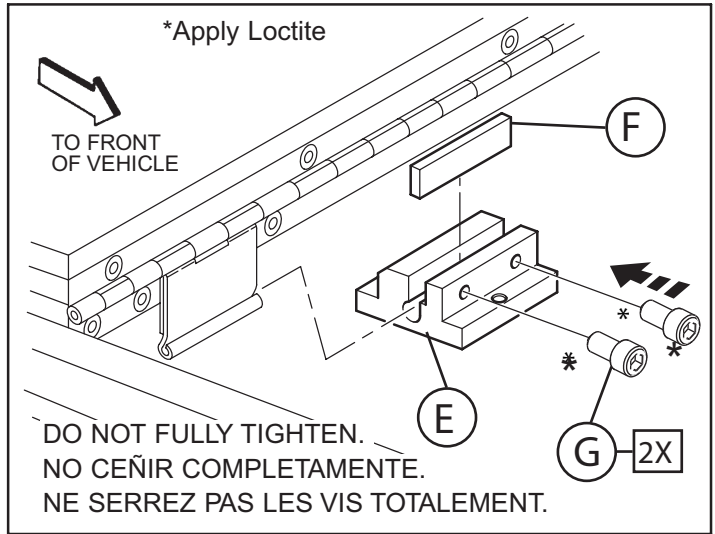


12

REMOVE MASKING TAPE.

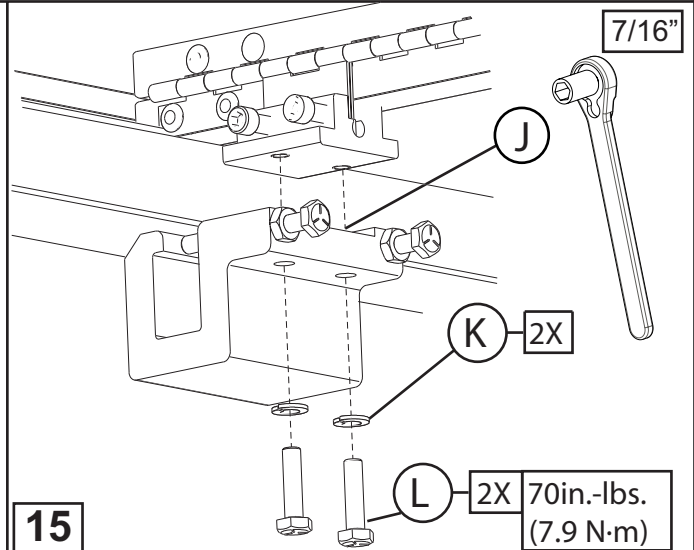


13

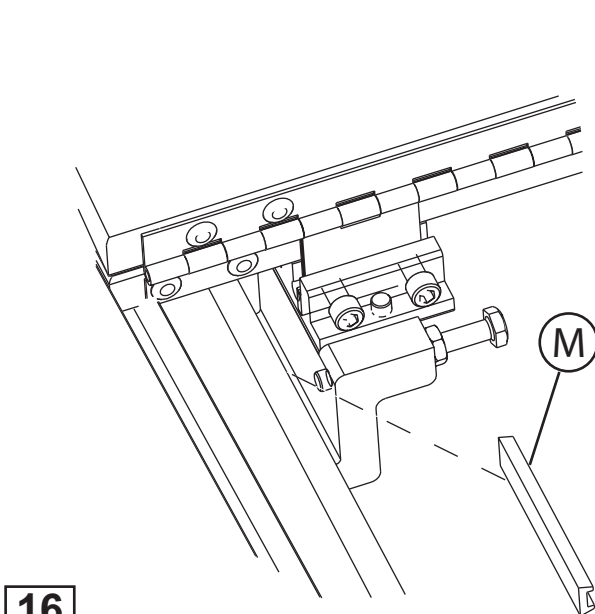


DO NOT FULLY TIGHTEN.
NO CEÑIR COMPLETAMENTE.
NE SERREZ PAS LES VIS TOTALEMENT

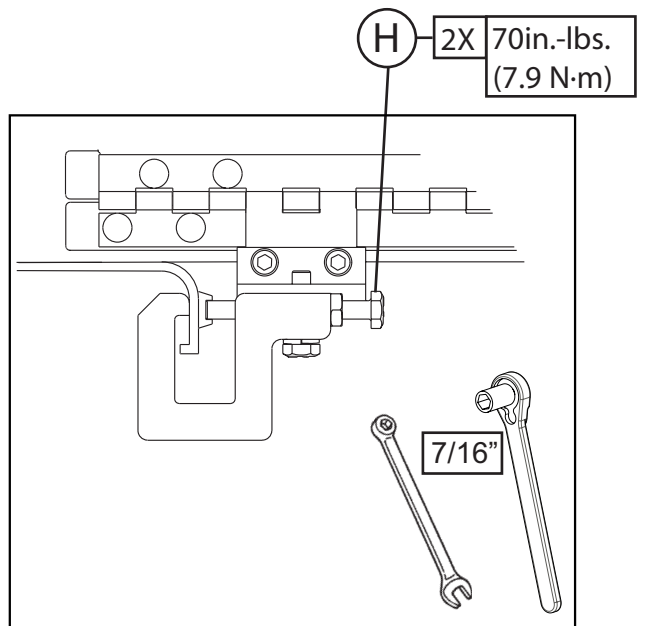
14

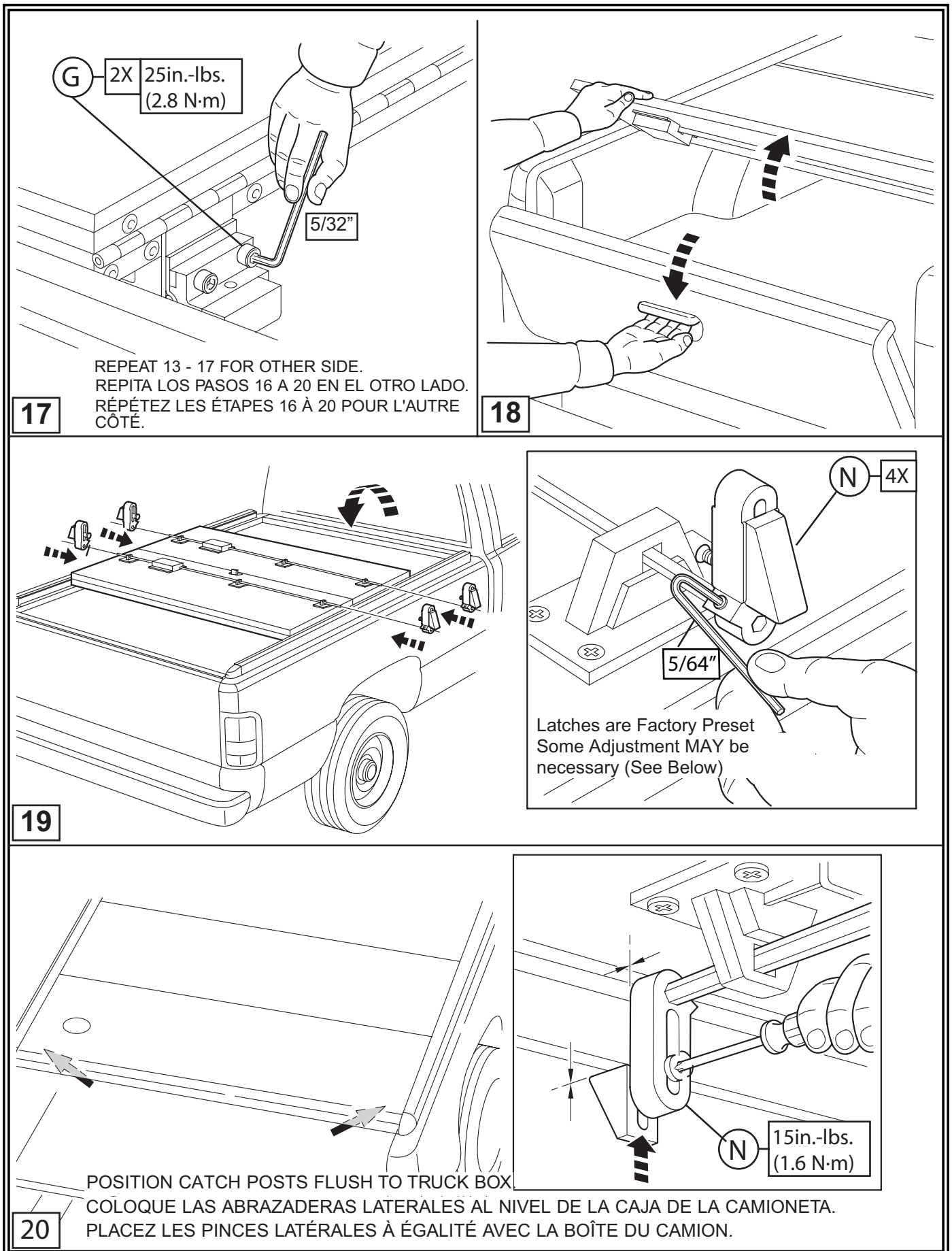


15



16





G 2X 25in.-lbs.
(2.8 N·m)

5/32"

REPEAT 13 - 17 FOR OTHER SIDE.
REPITA LOS PASOS 16 A 20 EN EL OTRO LADO.
RÉPÉTEZ LES ÉTAPES 16 À 20 POUR L'AUTRE CÔTÉ.

17

18

19

N 4X

5/64"

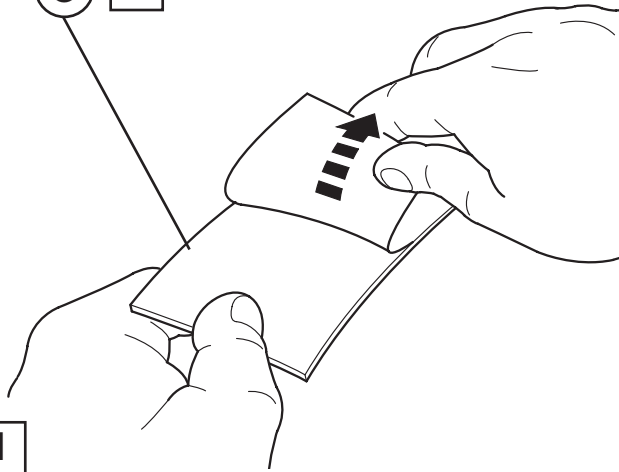
Latches are Factory Preset
Some Adjustment MAY be
necessary (See Below)

20

N 15in.-lbs.
(1.6 N·m)

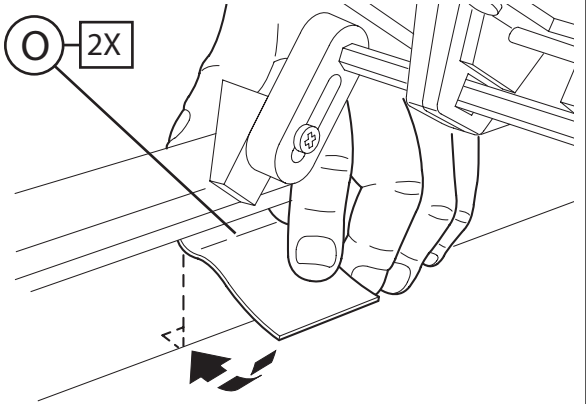
POSITION CATCH POSTS FLUSH TO TRUCK BOX.
COLOQUE LAS ABRAZADERAS LATERALES AL NIVEL DE LA CAJA DE LA CAMIONETA.
PLACEZ LES PINCES LATÉRALES À ÉGALITÉ AVEC LA BOÎTE DU CAMION.

O-2X



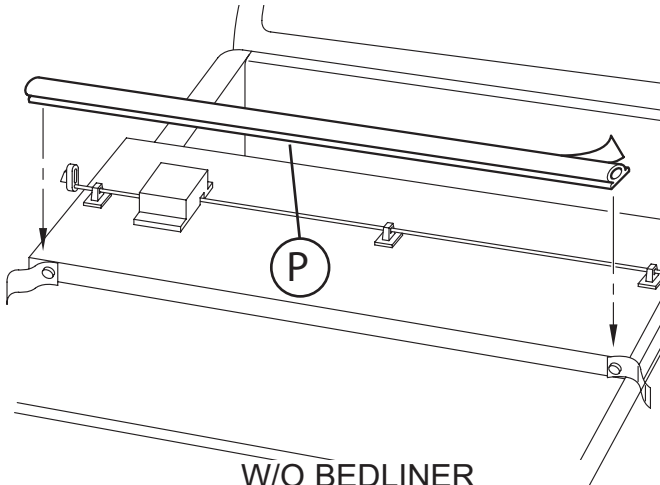
21

O-2X



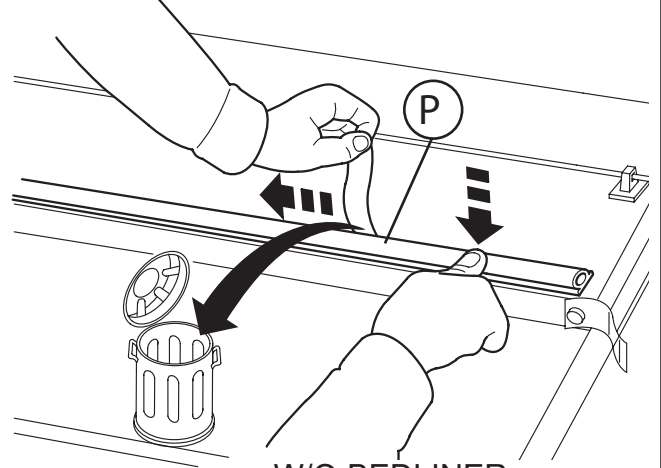
22

REPEAT STEPS 20 - 22 FOR FRONT CATCH POSTS.
REPITA LOS PASOS 20 A 22 PARA LAS
ABRAZADERAS LATERALES DELANTERAS.
RÉPÉTEZ LES ÉTAPES 20 À 22 POUR LES
PINCES LATÉRALES AVANT.



W/O BEDLINER
SIN CAMISA DE CAJA
SANS DOUBLURE

23



W/O BEDLINER
SIN CAMISA DE CAJA
SANS DOUBLURE

24

Note: The Front Seal is really only needed if the Truck DOES NOT HAVE a bedliner.
- If Seal is USED, then the Front Latches will need to be Re-Adjusted.