

Fold a Cover® / LS series

Built for your lifestyle

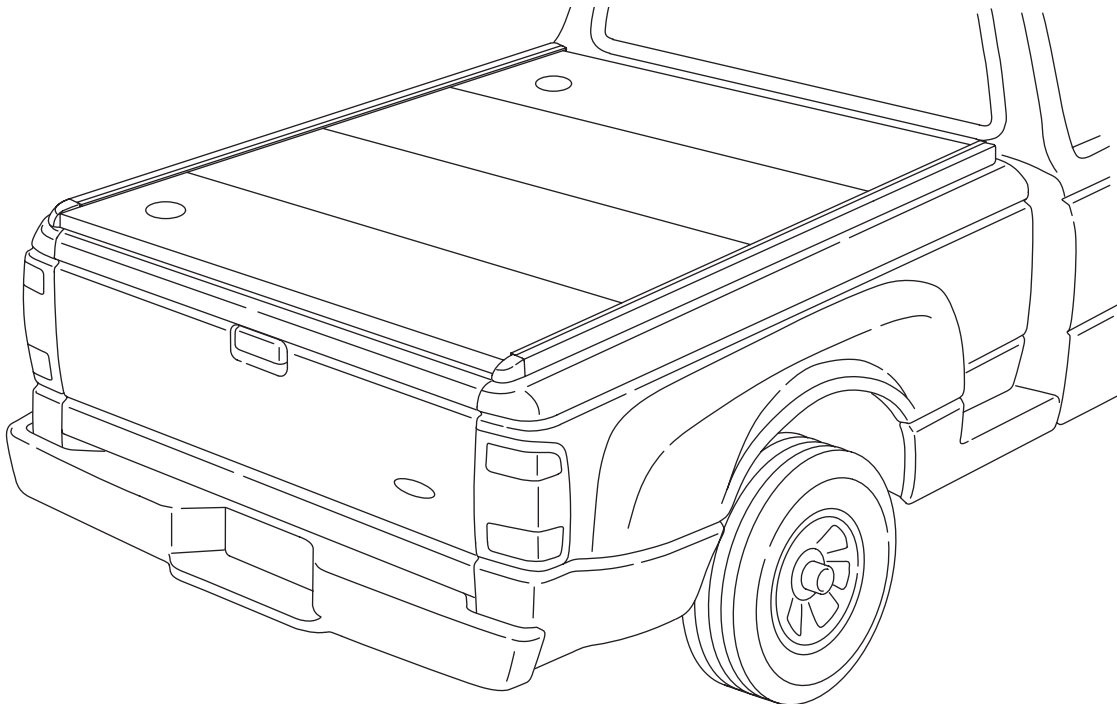
A Division of Steffens Enterprises, Inc.

4045 Karona Ct. • Caledonia, MI 49316

(616) 656-6886

Fax (616) 656-3771

FORD RANGER FLARESIDE HARD FOLDING TONNEAU COVER INSTALLATION INSTRUCTIONS

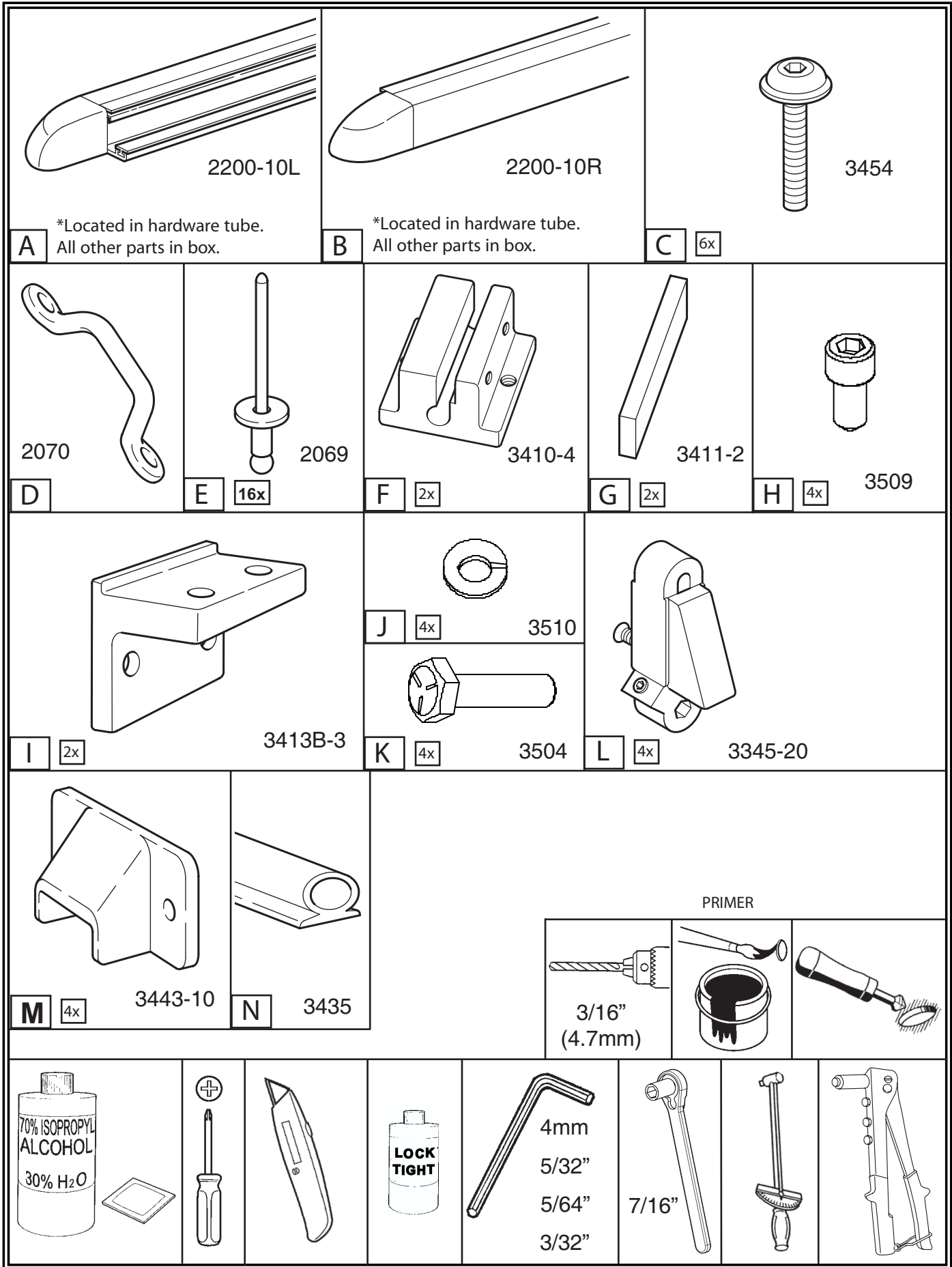


Notes to Installer:

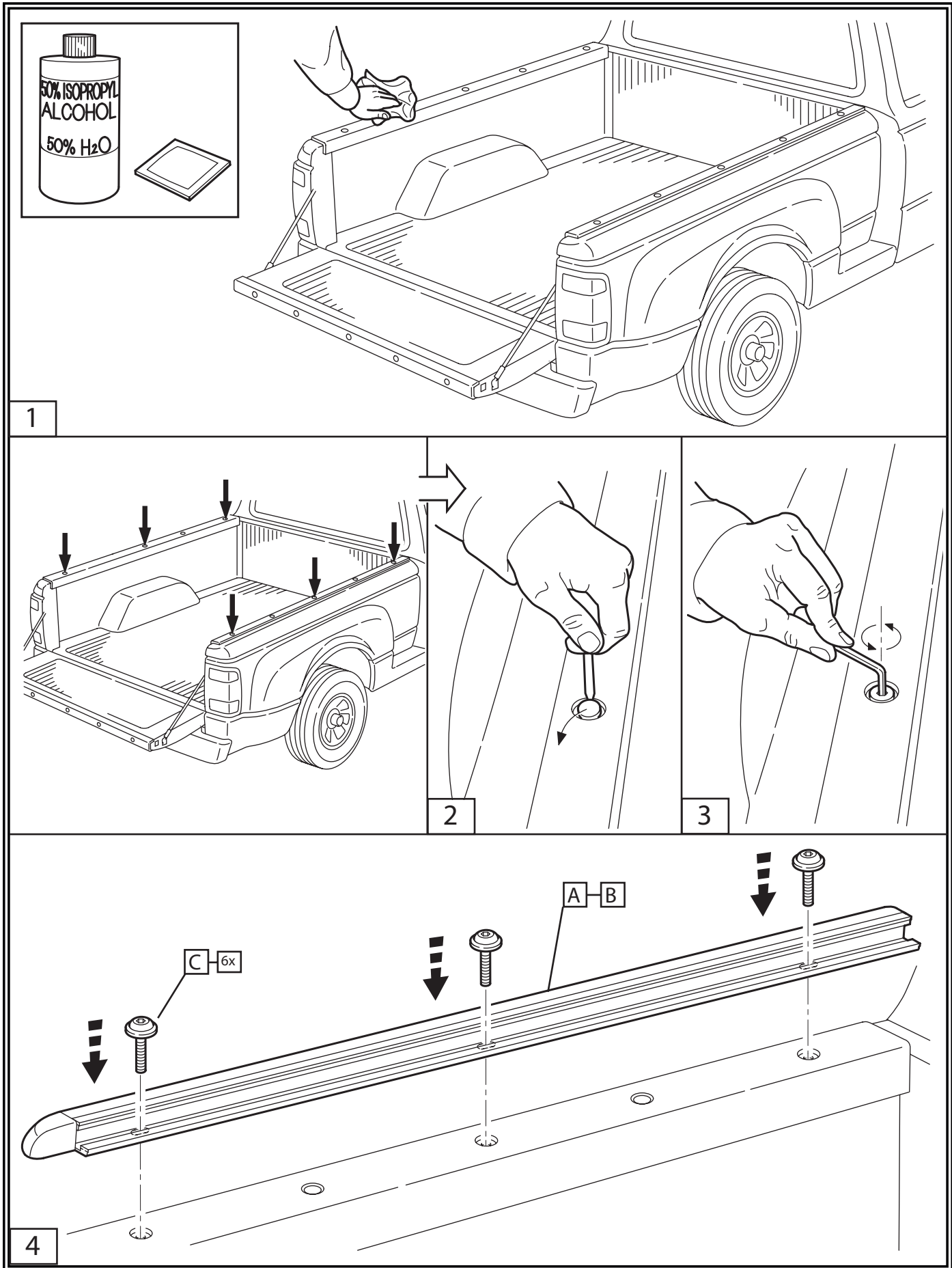
- Install Parts as shown on illustrations.
- Temperature should be no lower than 50° when installing.
- Be sure the truck is setting on a level surface.
- Apply a dab of lock tight to each fastener before use.
- Some trimming of bed liner may be required for proper fit and function.

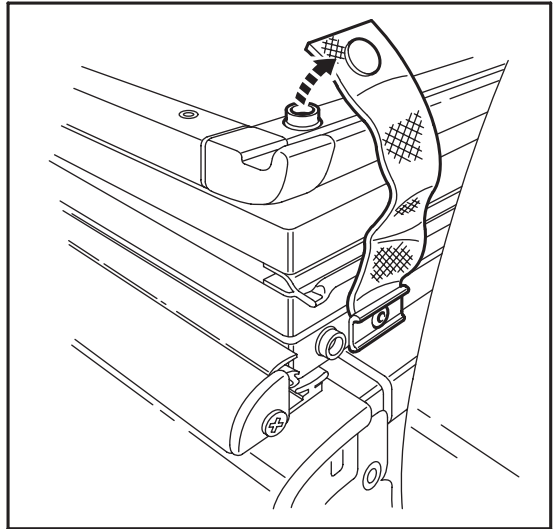
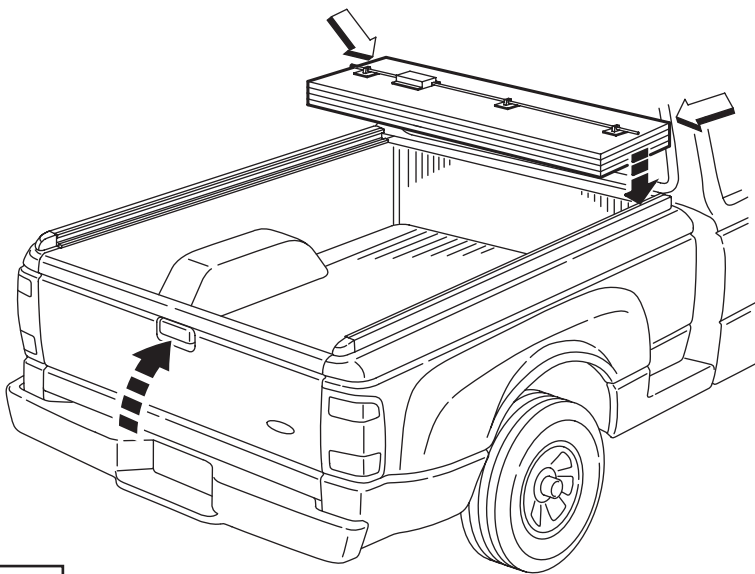
Notes to customer:

- Record the key number and place in glove box or write it in your owner's manual.
- Refer to the Operation and Care Label located on the underside of the rearmost panel on cover (driver's side).

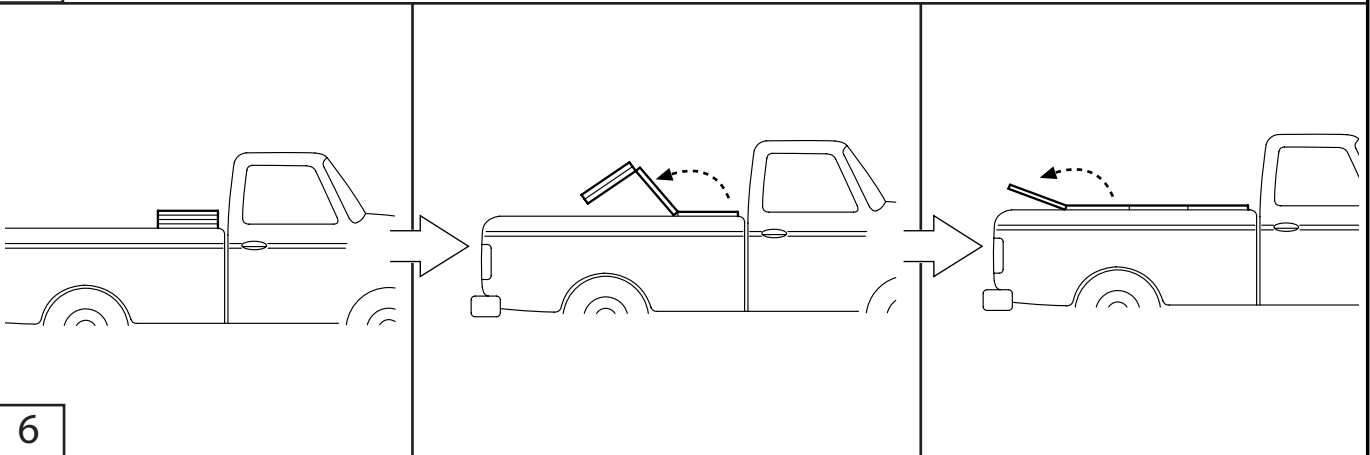


A	2200-10L	Driver Side Rail
B	2200-10R	Passenger Side Rail
C	3454	M6-1.0 x 40mm BHSC S/S
D	2070	Footman's Loop
E	2069	3/16" Pop Rivet S/S
F	3410-4	Hinge Bracket
G	3411-1	Hinge Bracket Shim
H	3509	#10-32 x 1/2 SHCS
I	3413B-3	Mounting Bracket
J	3510	1/4" Lock Washer
K	3504	1/4-20 x 1 HHCS
L	3345-20	Rod End and Catch Post
M	3443-10	Catch Pocket
N	3420	D-Seal

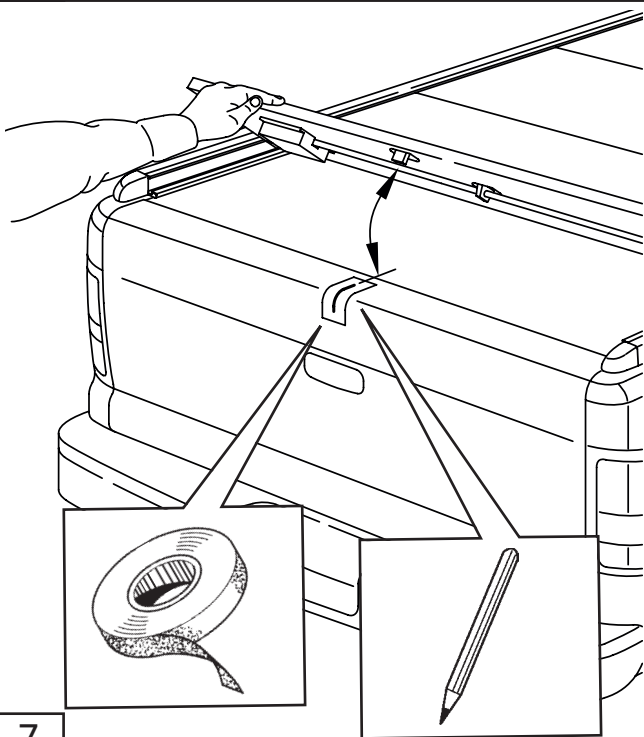




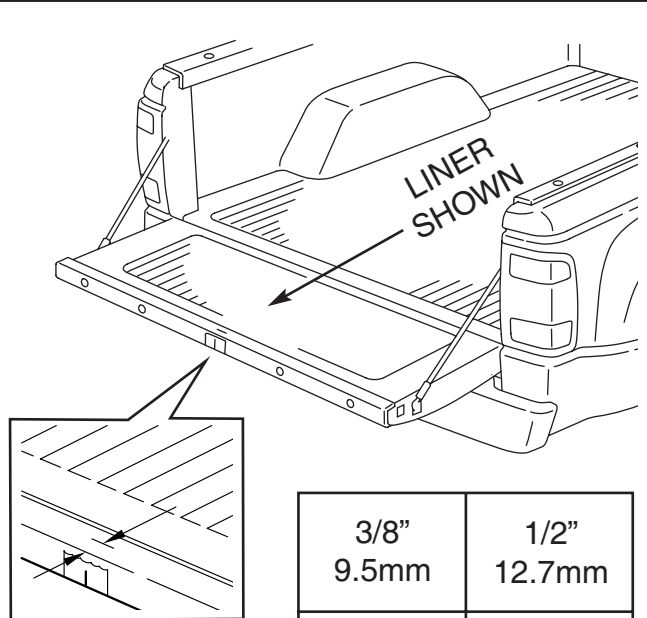
5



6



7



8

3/8" 9.5mm	1/2" 12.7mm
W/O LINER	W/ LINER

