

Fold a Cover[®] / LS series

Built for your lifestyle

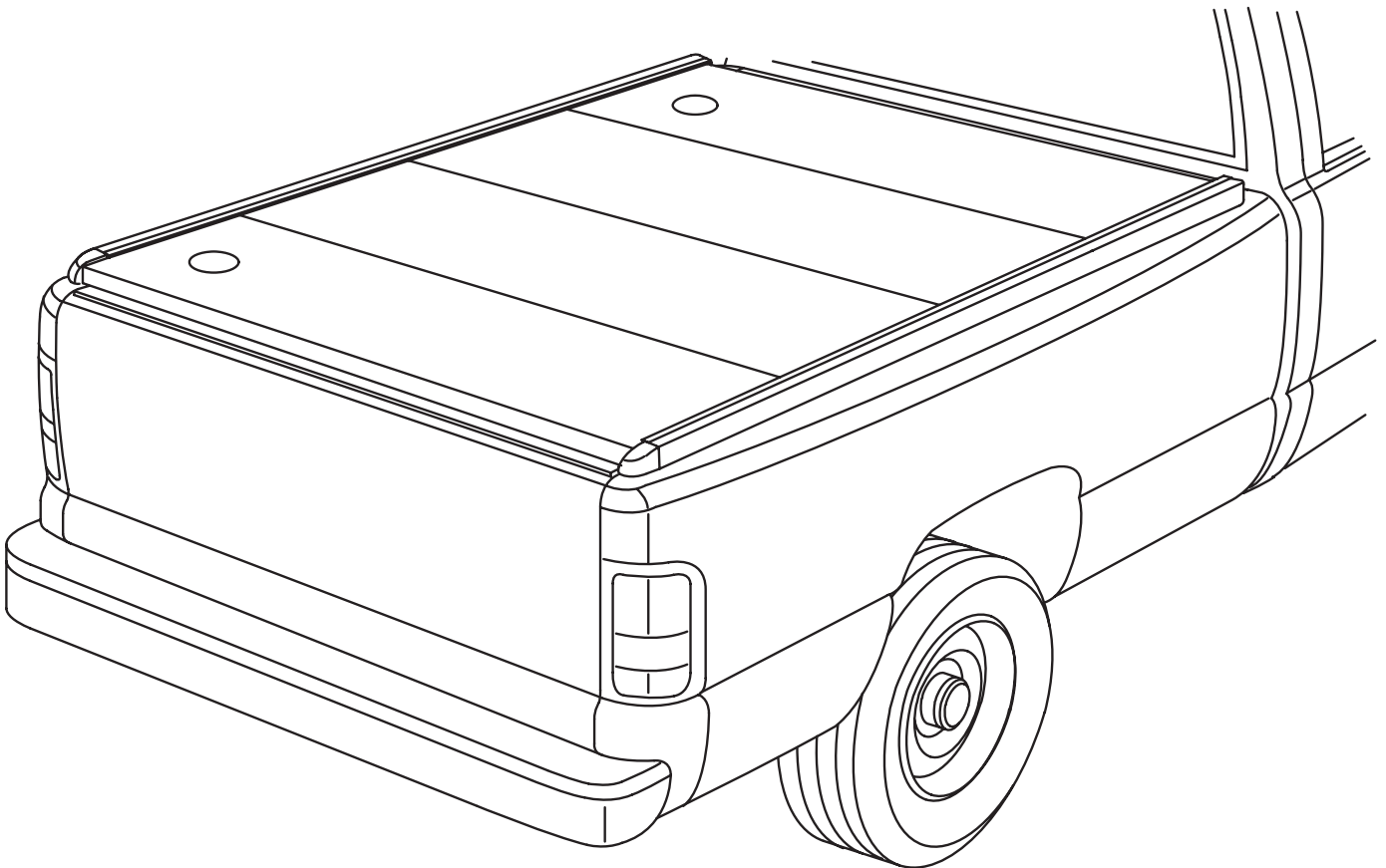
A Division of Steffens Enterprises, Inc.

4045 Karona Ct. • Caledonia, MI 49316

(616) 656-6886

Fax (616) 656-3771

HARD FOLDING TONNEAU COVER INSTALLATION INSTRUCTIONS - **FORD SUPERCREW**

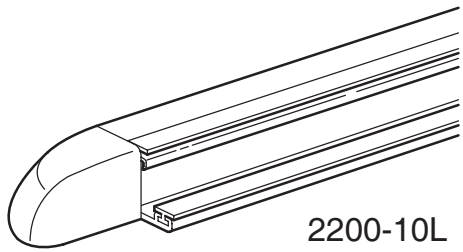


Notes to Installer:

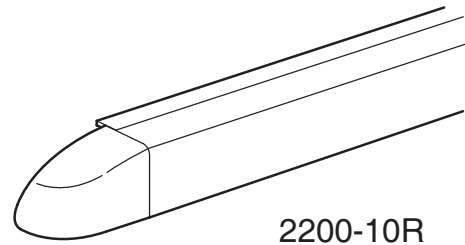
- Install Parts as shown on illustrations.
- Temperature should be no lower than 50° when installing.
- Be sure the truck is setting on a level surface.
- Apply a dab of lock tight to each fastener before use.
- Some trimming of bed liner may be required for proper fit and function.

Notes to customer:

- Record the key number and place in glove box or write it in your owner's manual.
- Refer to the Operation and Care Label located on the underside of the rearmost panel on cover (driver's side).



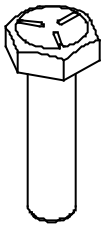
2200-10L



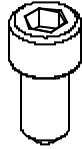
2200-10R

A 1x

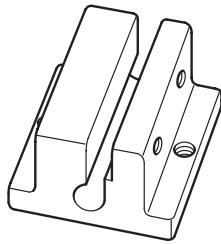
B 1x



3504



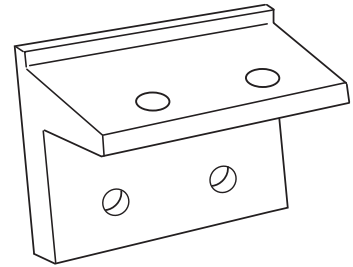
3509



3410-004



3411-001



3413C-004

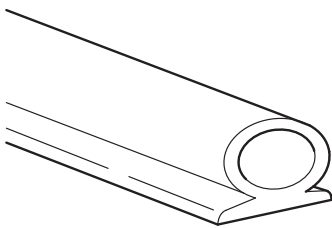
C 4x

D 4x

E 2x

F 2x

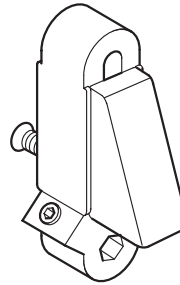
G 2x



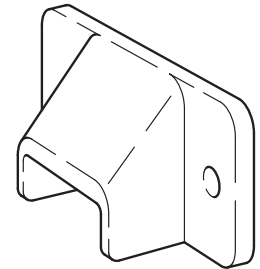
3420 3/8-3/4



3510



3345-20



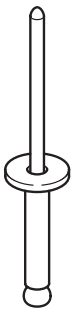
3443-10

H 1x

I 4x

J 4x

K 4x



2069

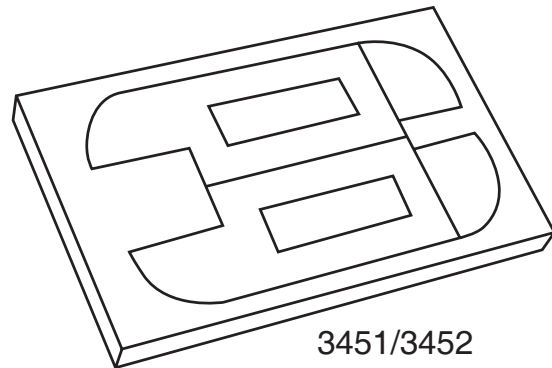


3422

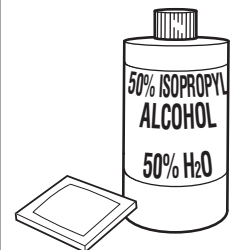
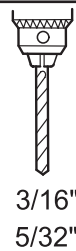
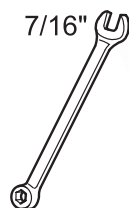
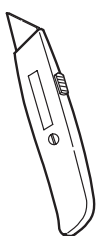
L 16x

M 6x

N 1x

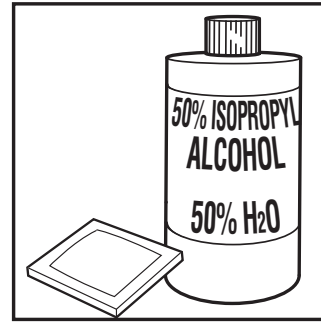
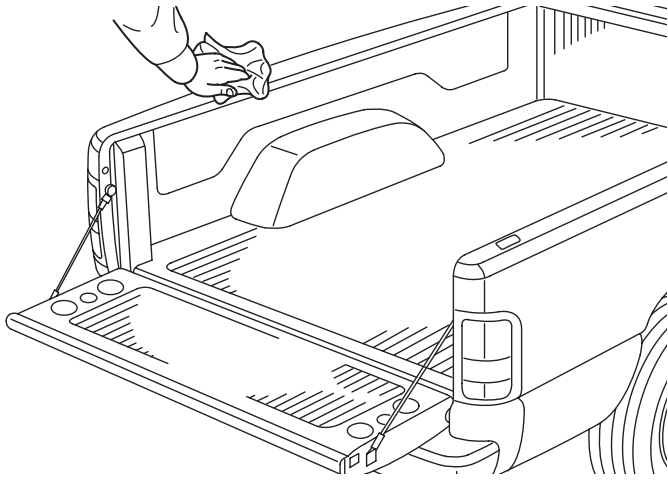


3451/3452



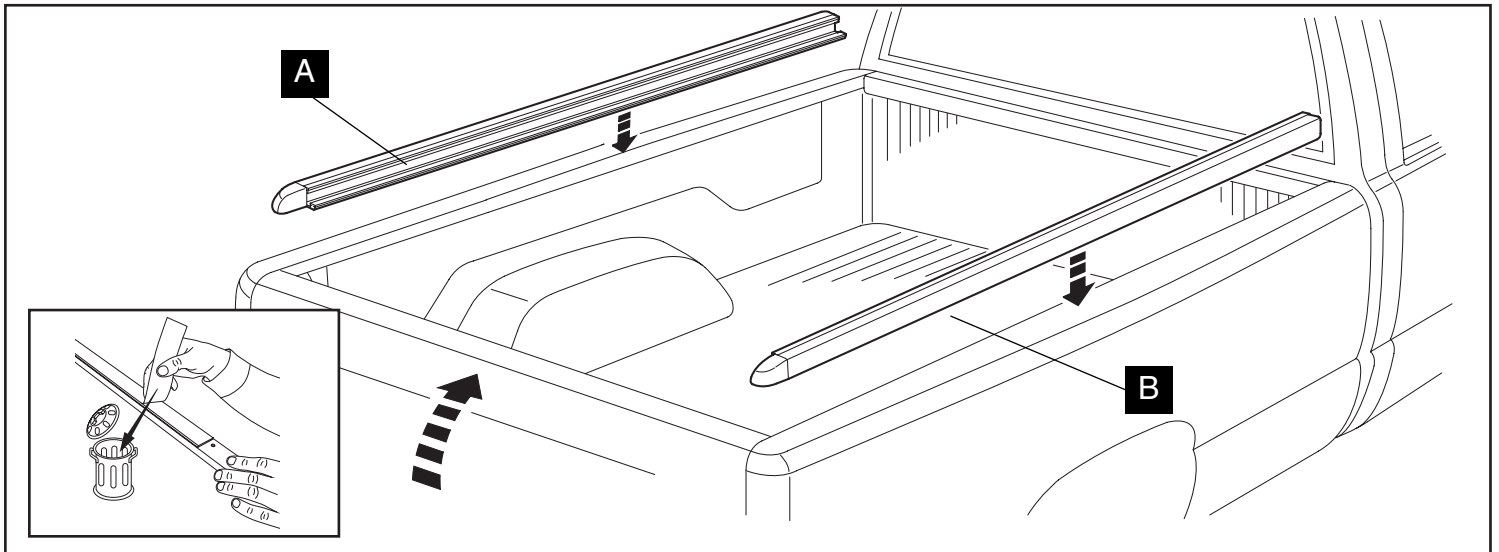
Parts List

Part Number	Description
2200-10L	LH Wind Seal
2200-10R	RH Wind Seal
2069	Pop Rivet S/S 3/16 X 3/4
3345-20	Rod End Assembly
3410-004	Hinge Bracket
3411-001	Shim-Hinge Bracket
3509	#10-32 x 1/2 SHCS
3413C-004	Mounting Bracket
3504	1/4-20 x 1 HHCS
3420	Tall Front Seal
3422	Pop Rivet 5/32 x 1
3510	1/4 Lock Washer
3451/3452	Foam End Cap
3443-10	Catch Pocket



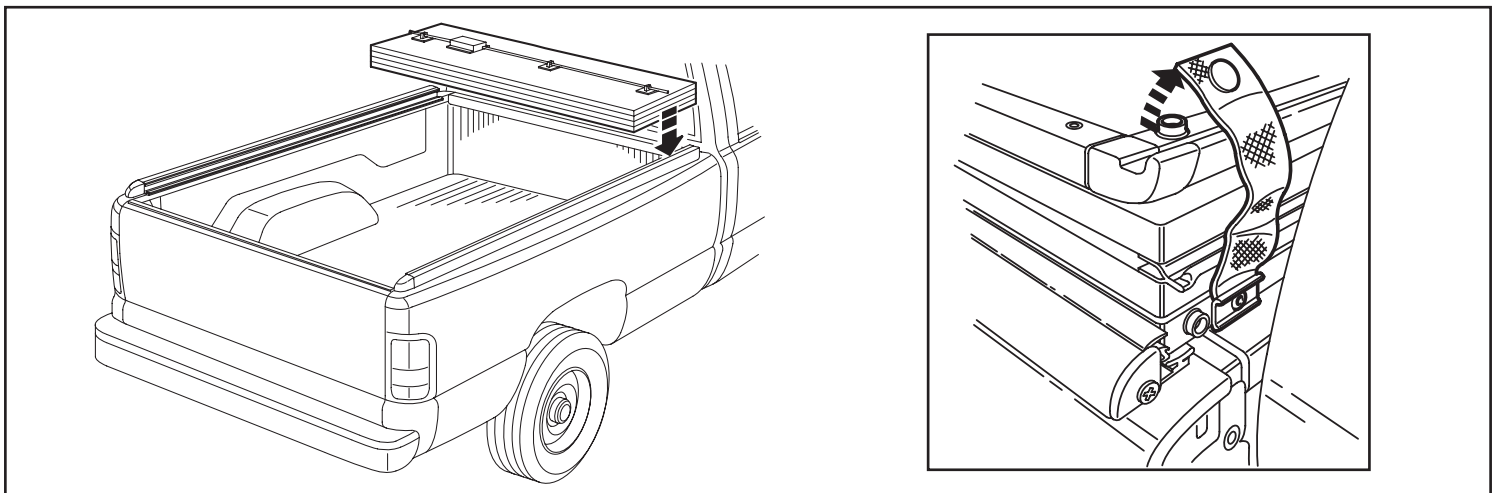
1

Wipe down surfaces to which the cover will be attached with a 50/50 solution of Isopropyl Alcohol and water.



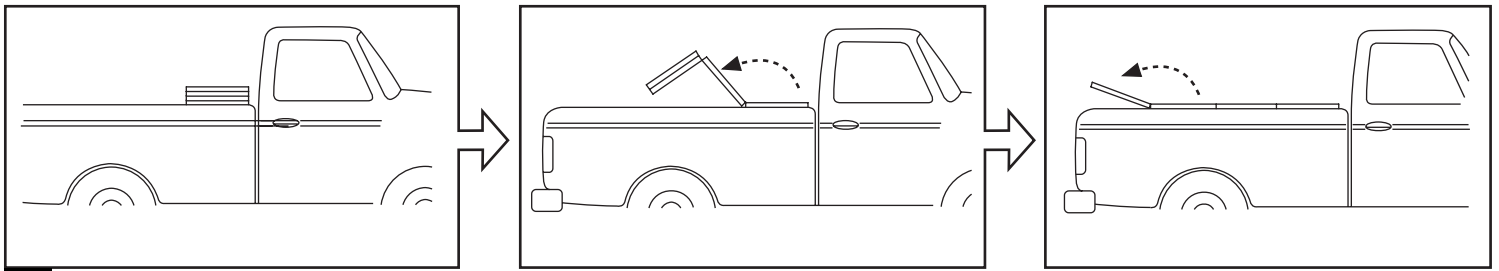
2

Peel backer paper away from side rails and discard (inset). Close tailgate. Rest rails on sides of truck.

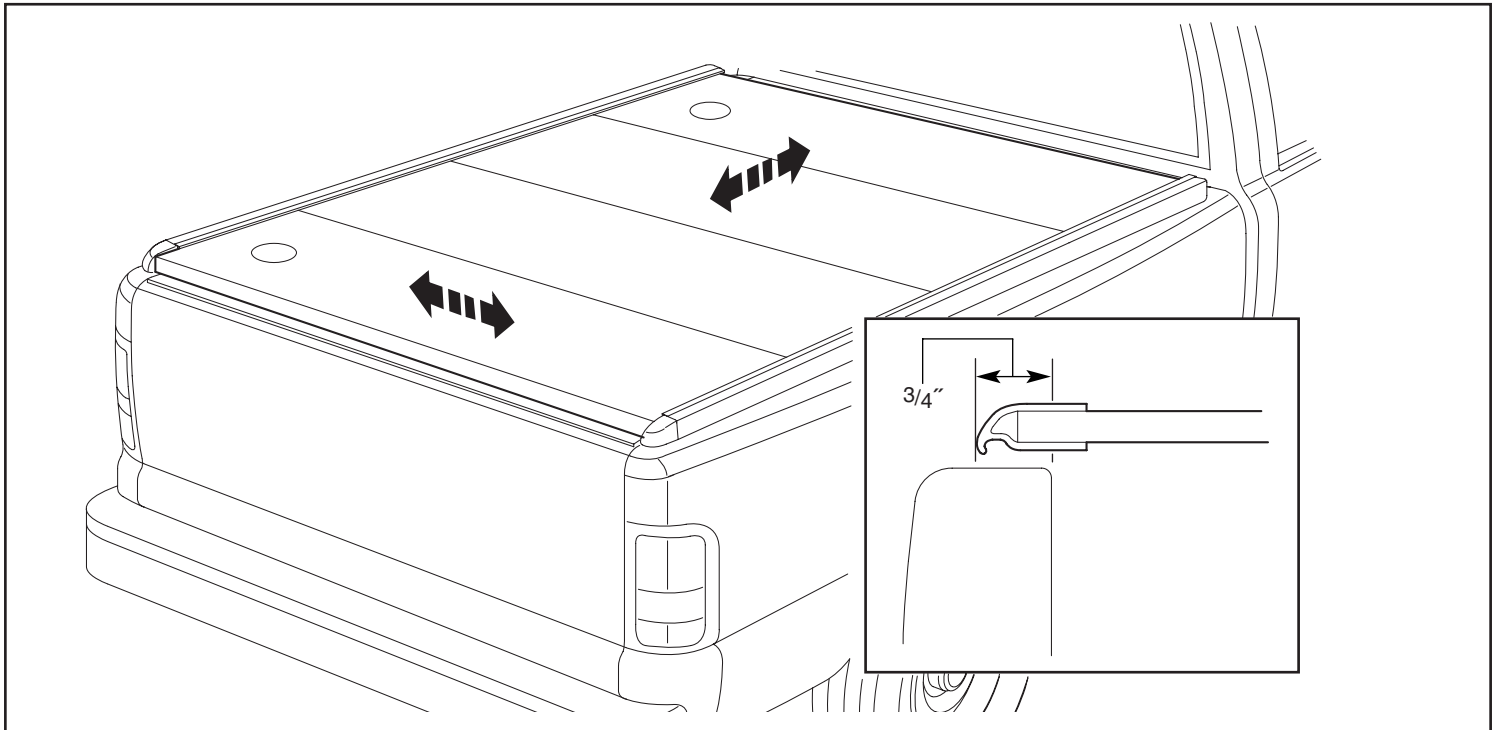


3

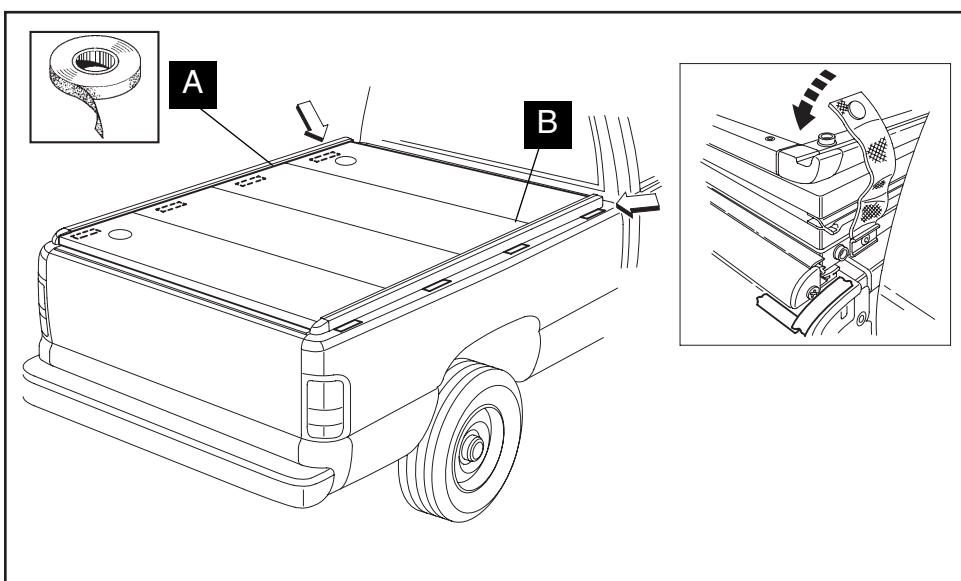
Set the cover on the rails. Unsnap the straps that hold the cover sections together.



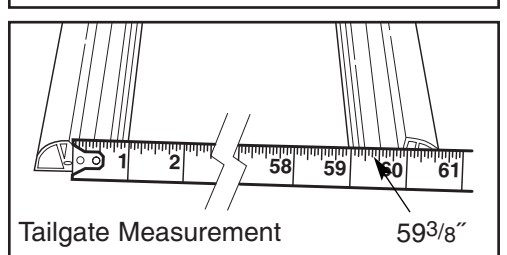
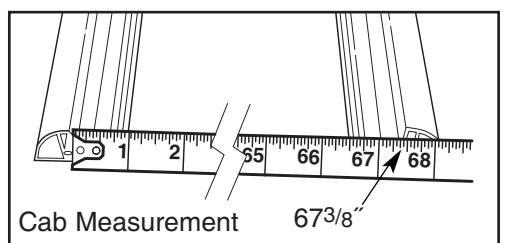
4 Unfold the cover.



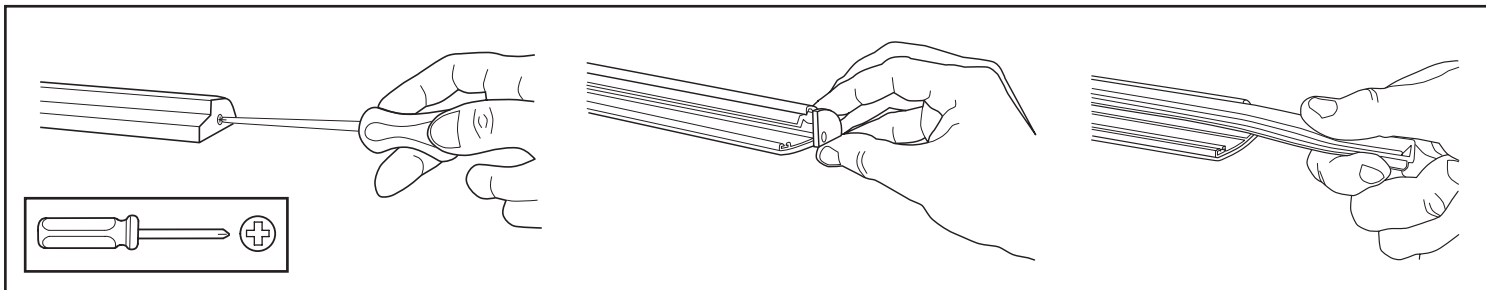
5 Adjust the cover so that it and the rails lay on the bed evenly from side-to-side and from front to back. Make sure the back edge lays $3/4$ " from the inside edge of the tailgate (inset).



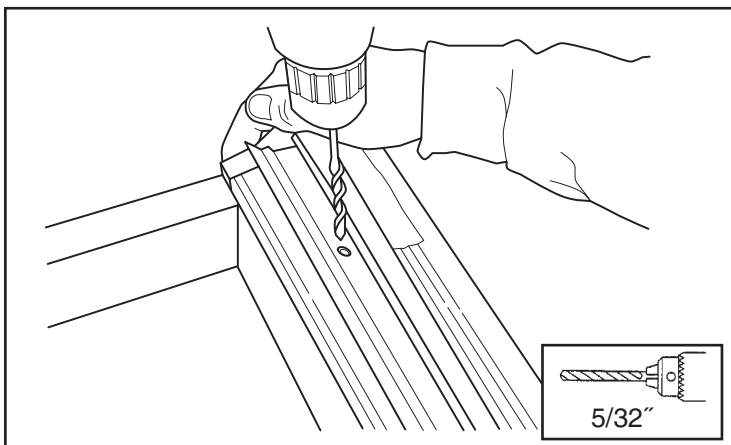
6 Using tape, mark the position of the rails. Then refold the cover, snap the protective strap back in place, and remove the cover.



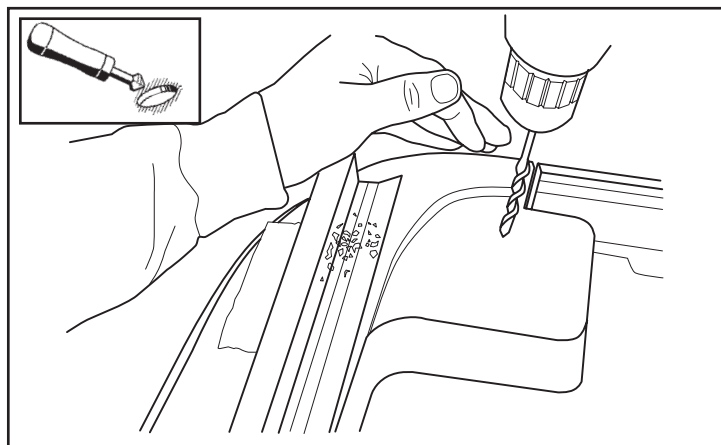
7 Double check to make sure the rails are the correct distance apart. At the cab the rails should be $67\frac{3}{8}$ ", excluding the rubber gasket. At the tailgate the rails should be $59\frac{3}{8}$ ", excluding the rubber gasket. If necessary, re-adjust tape placement.



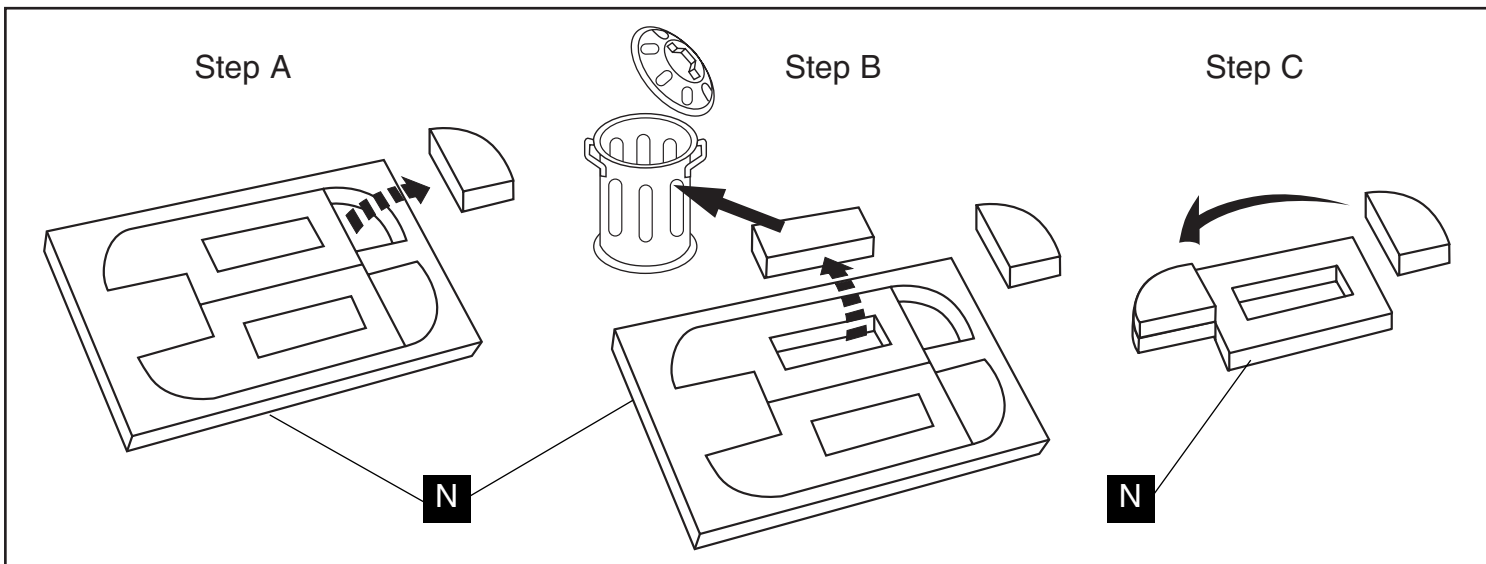
8 Remove front end caps from side rails as shown above. Remove rubber gasket to gain access to holes through which you will drill the holes in the truck sides.



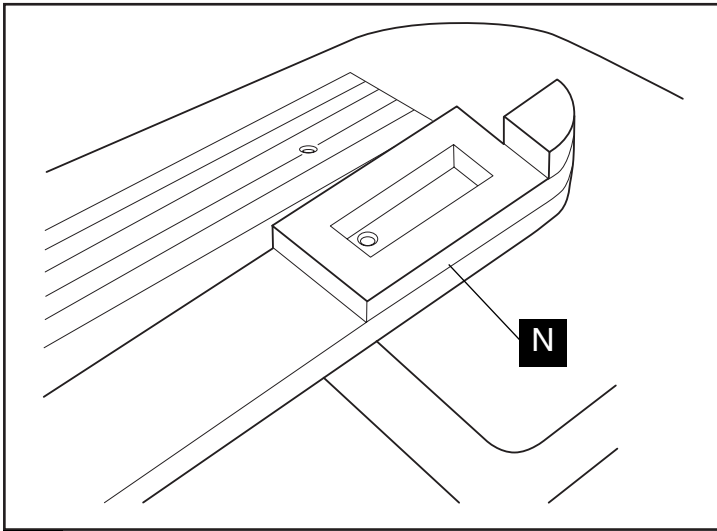
9 Set rails on truck using tape as a guide for position. Starting at the front (cab end) of truck, drill through the holes in the rail, through the sides of the truck, holding rail firmly in position while drilling.



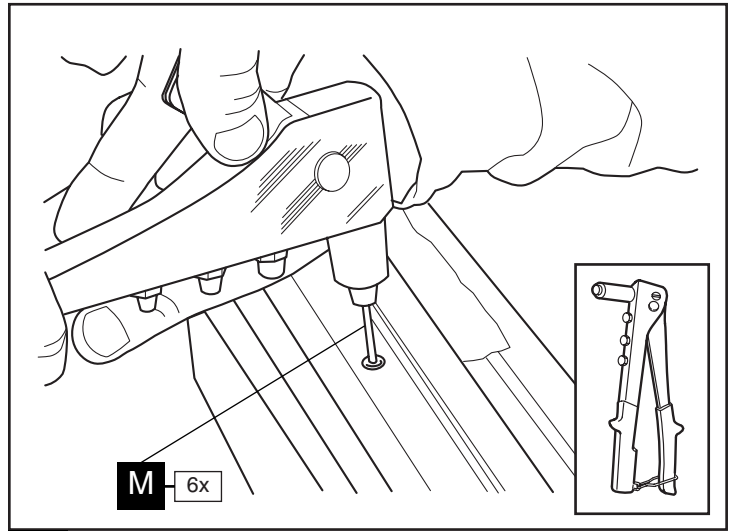
10 Once you have drilled the rail holes, be sure to remove any burrs and rough edges with a deburring tool.



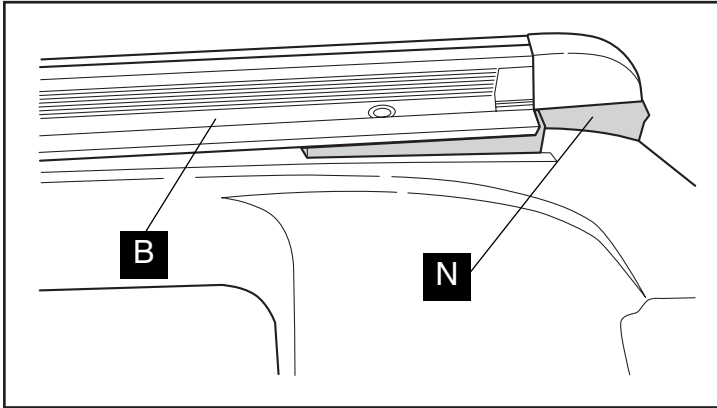
11 When the rails are in position, you will notice a gap at the rear of the truck between the rail and the top of the quarter panel, because the back edge of the quarter panel slopes downward. We have created a spacer to fill that gap. Using the Foam End Cap supplied, remove the curved end of the cap as shown in Step A. Do not discard this piece. Next, remove the center rectangle of foam and discard as shown in Step B. Next, flip the foam piece you removed in Step A 90° and set it on top of the curved foam piece directly opposite as shown in Step C. Remove this whole piece from the foam block. Repeat for the foam spacer for the other side.



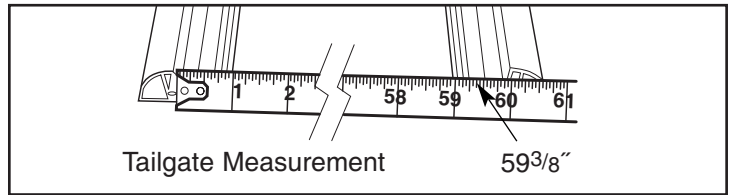
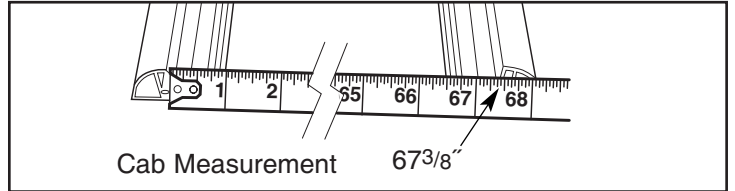
12 Turn rails over and place Foam End Caps on the tailgate end of the corresponding rails (note how the hole for the rivet appears in the rectangular area).



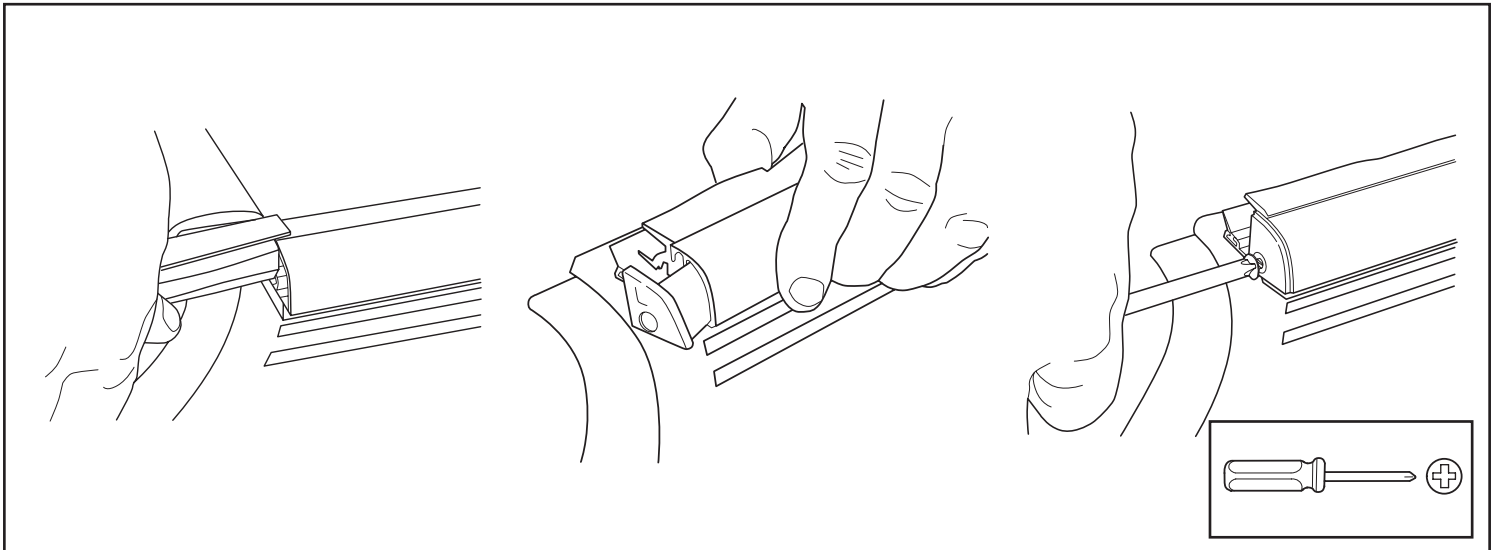
13 Turn the first rail over and rivet in place along the sides of the truck.



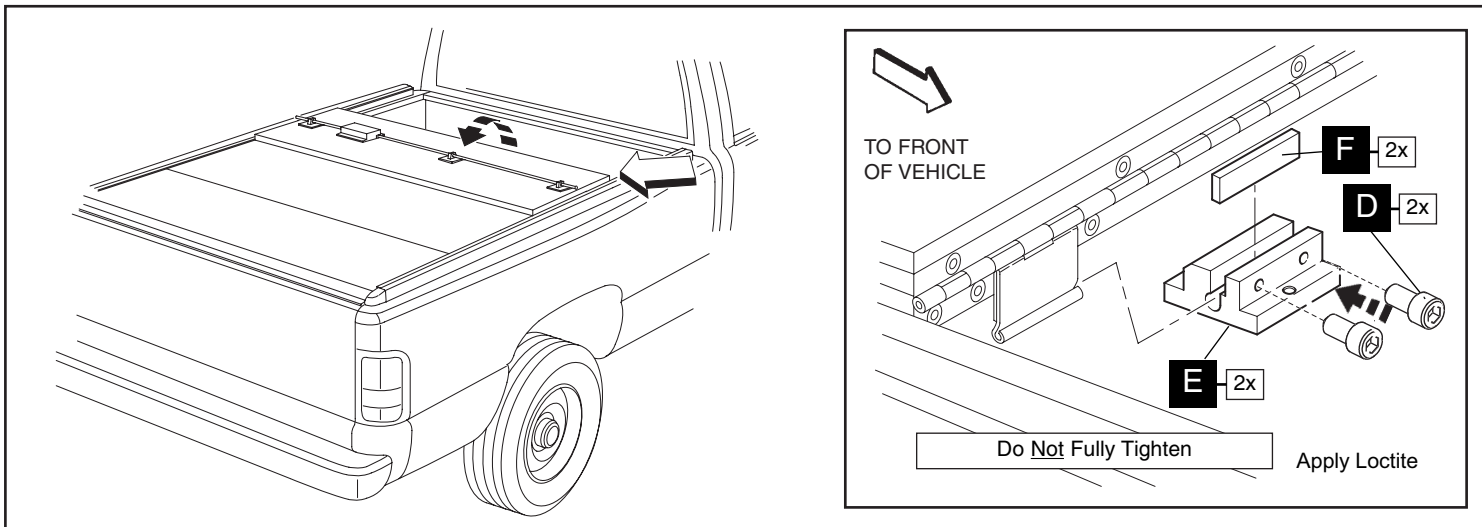
14 This is how the final placement of the rail should look with the Foam End Cap in place.



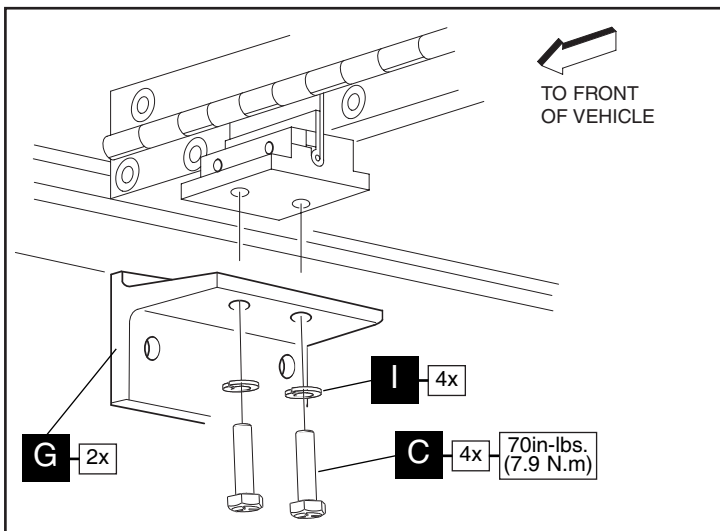
15 One again, double check to make sure the rails are the correct distance apart. If necessary, readjust tape placement, then rivet the second rail in place. You may now remove the tape from the sides of the truck.



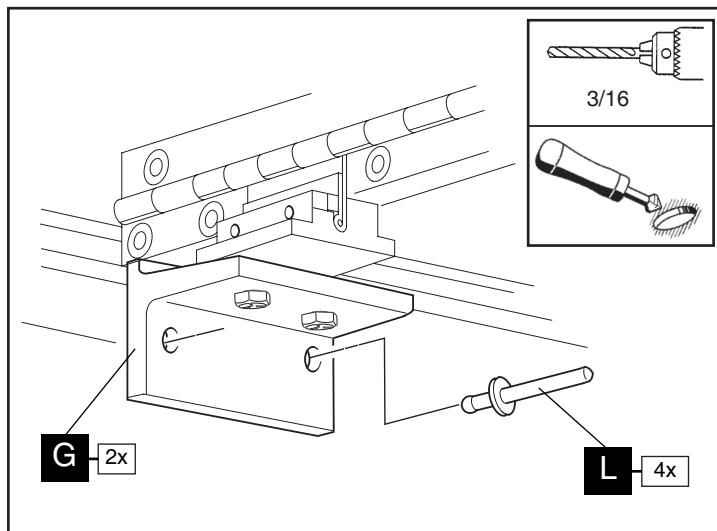
16 Replace the rubber gasket in each rail by feeding it into the rail from the front (cab end) of the truck. After the gasket is in place, place the end cap on the end of the rail. Then screw the end cap back in place to secure.



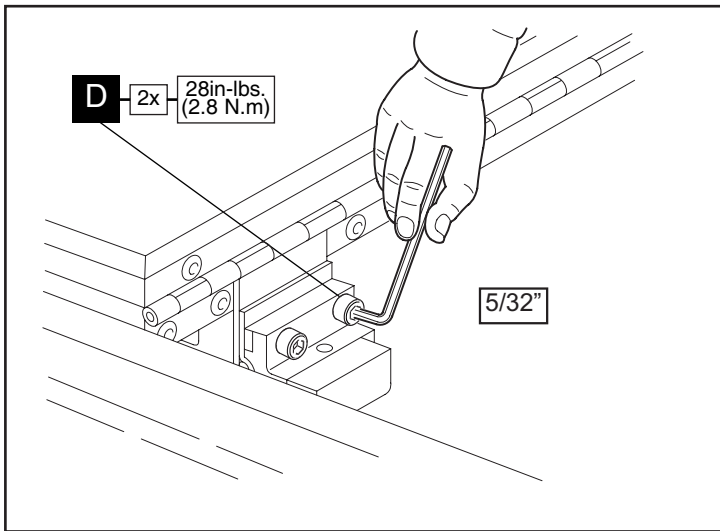
17



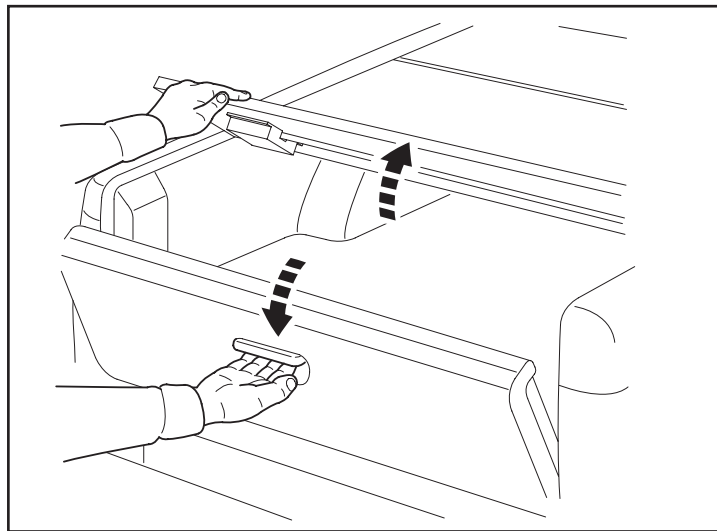
18



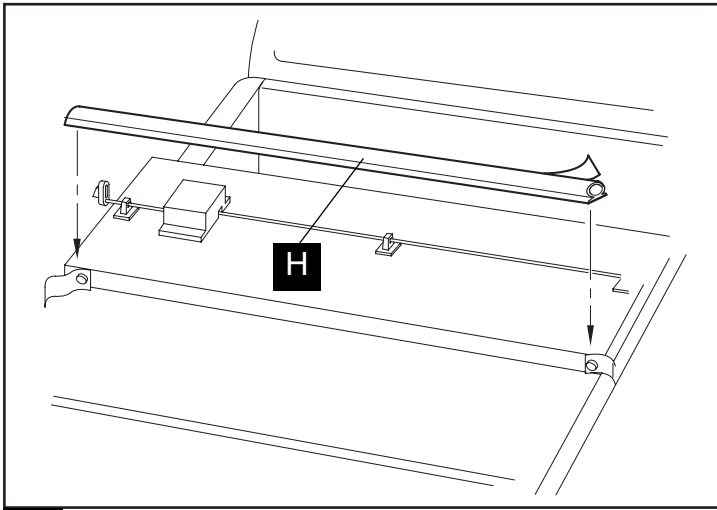
19 Using Bracket G as a drill template, drill two 3/16" holes and secure Bracket with supplied pop rivets.



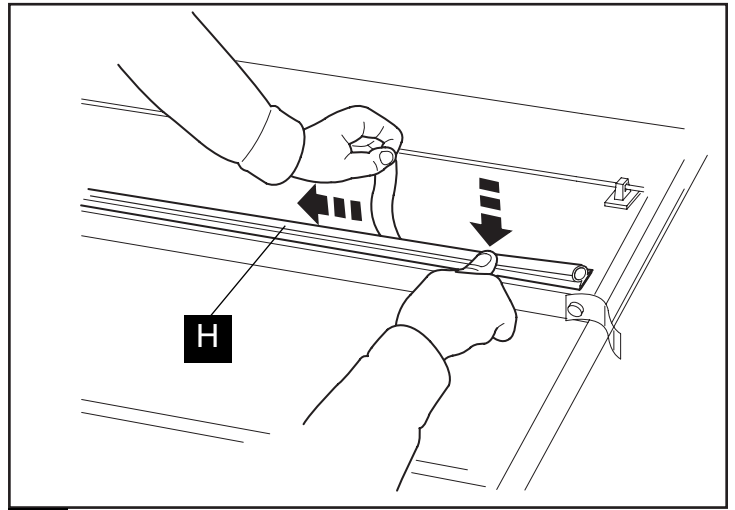
20



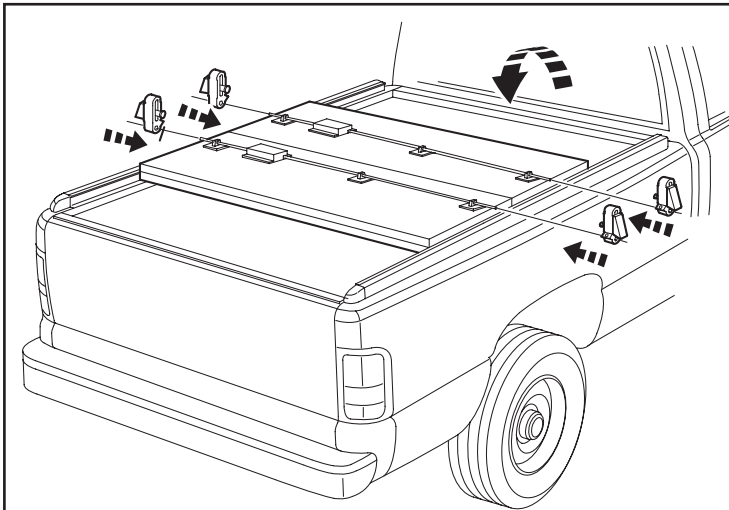
21



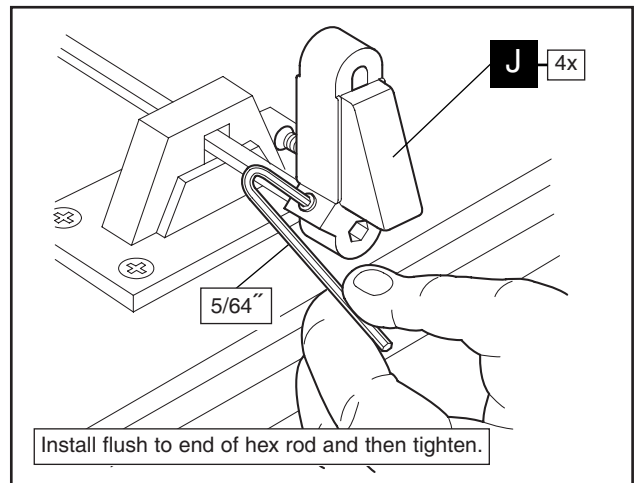
22 Cut length of Strip H to fit between side rails, then apply as shown. If you have an over-the-rail bed liner this strip may not work.



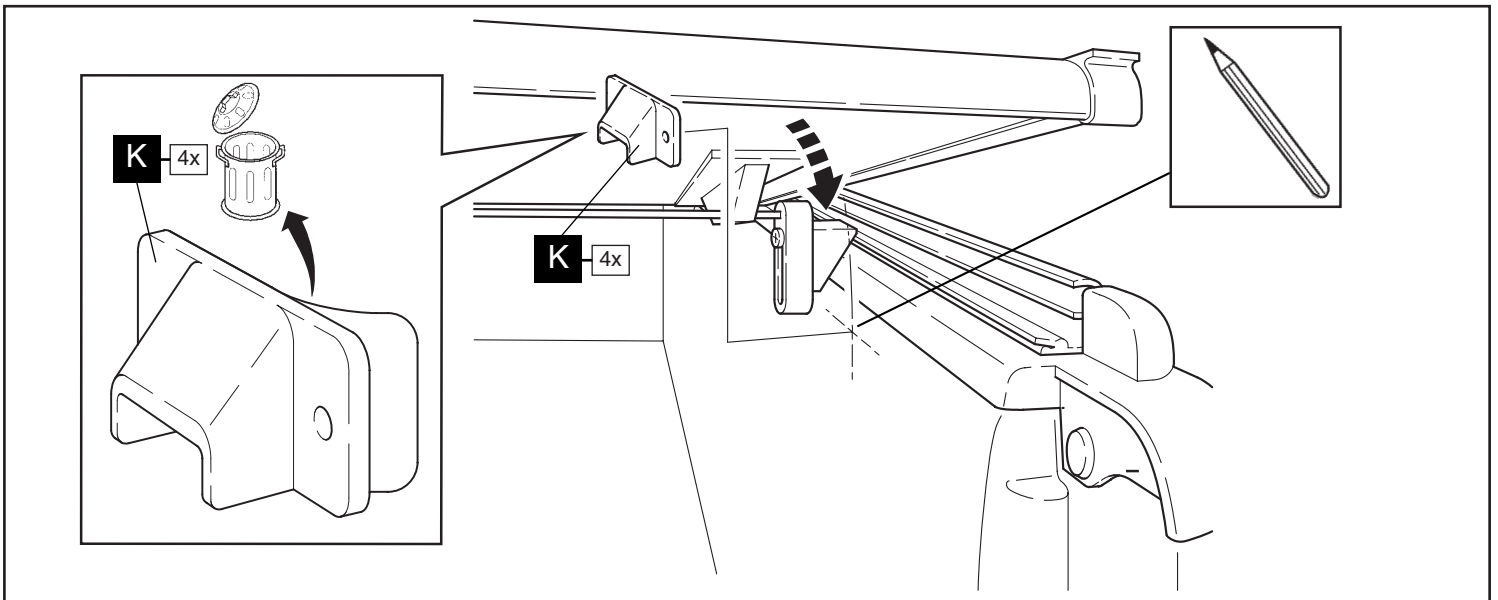
23



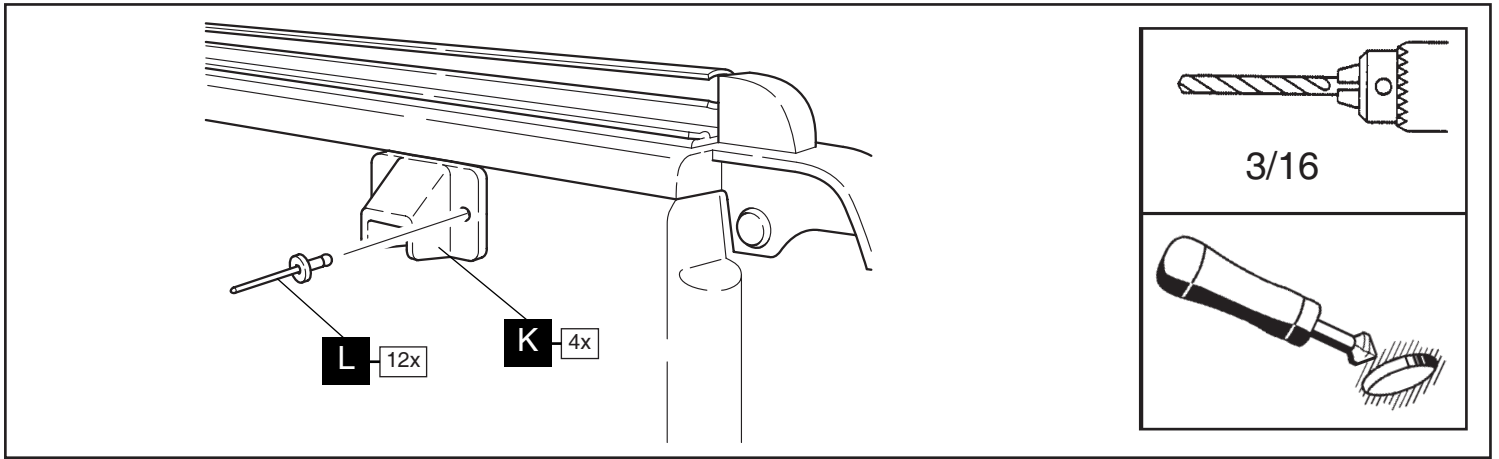
24



Install flush to end of hex rod and then tighten.

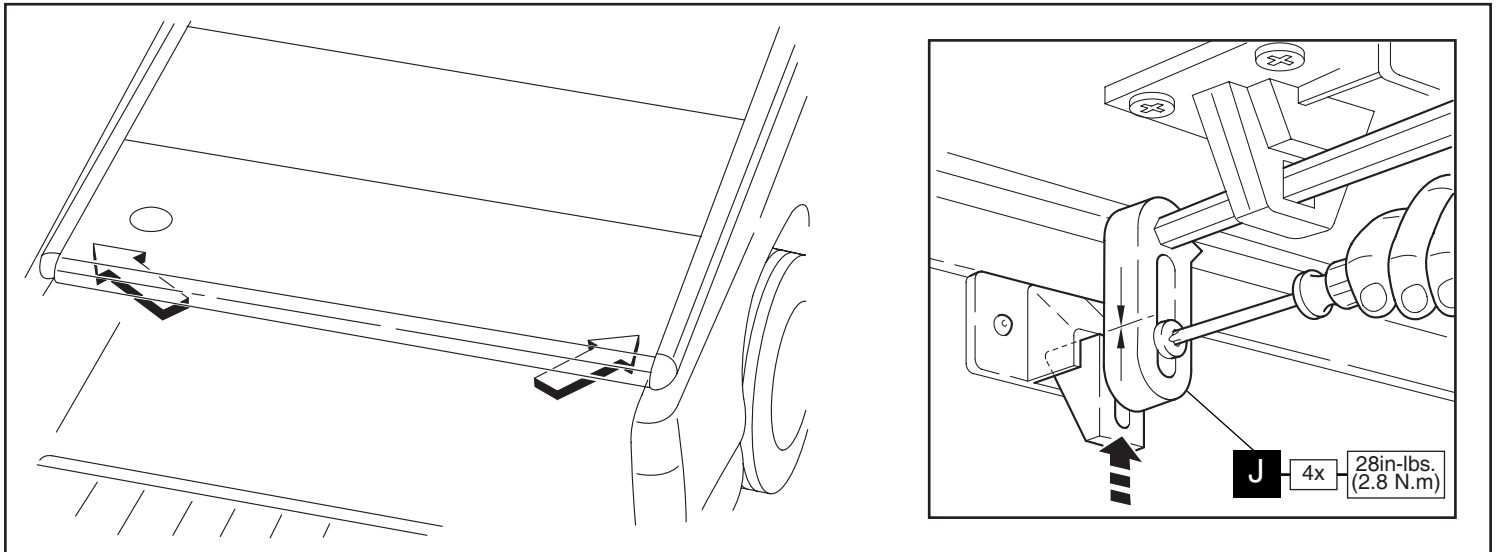


25



26

At least two rivets are required to secure Bracket K. The third rivet is optional.



27