

Fold a Cover® / LS series

Built for your lifestyle

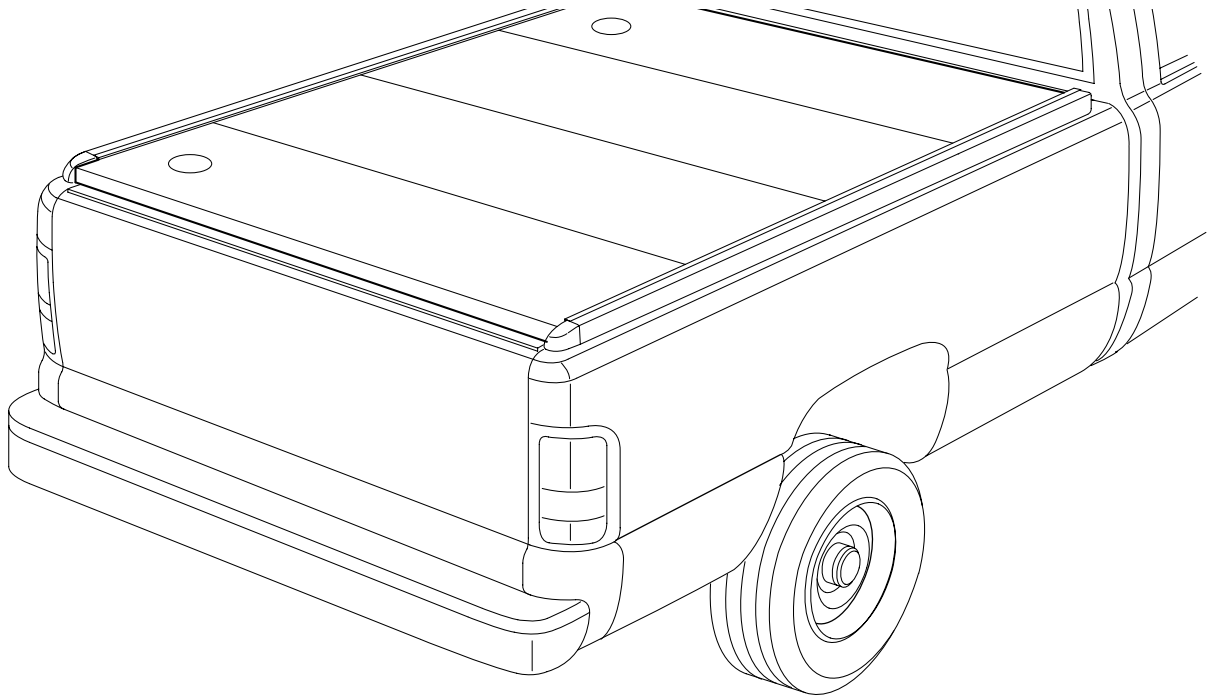
A Division of Steffens Enterprises, Inc.

4045 Karona Ct. • Caledonia, MI 49316

(616) 656-6886

Fax (616) 656-3771

HARD FOLDING TONNEAU COVER INSTALLATION INSTRUCTIONS - WITHOUT STAKE POCKETS

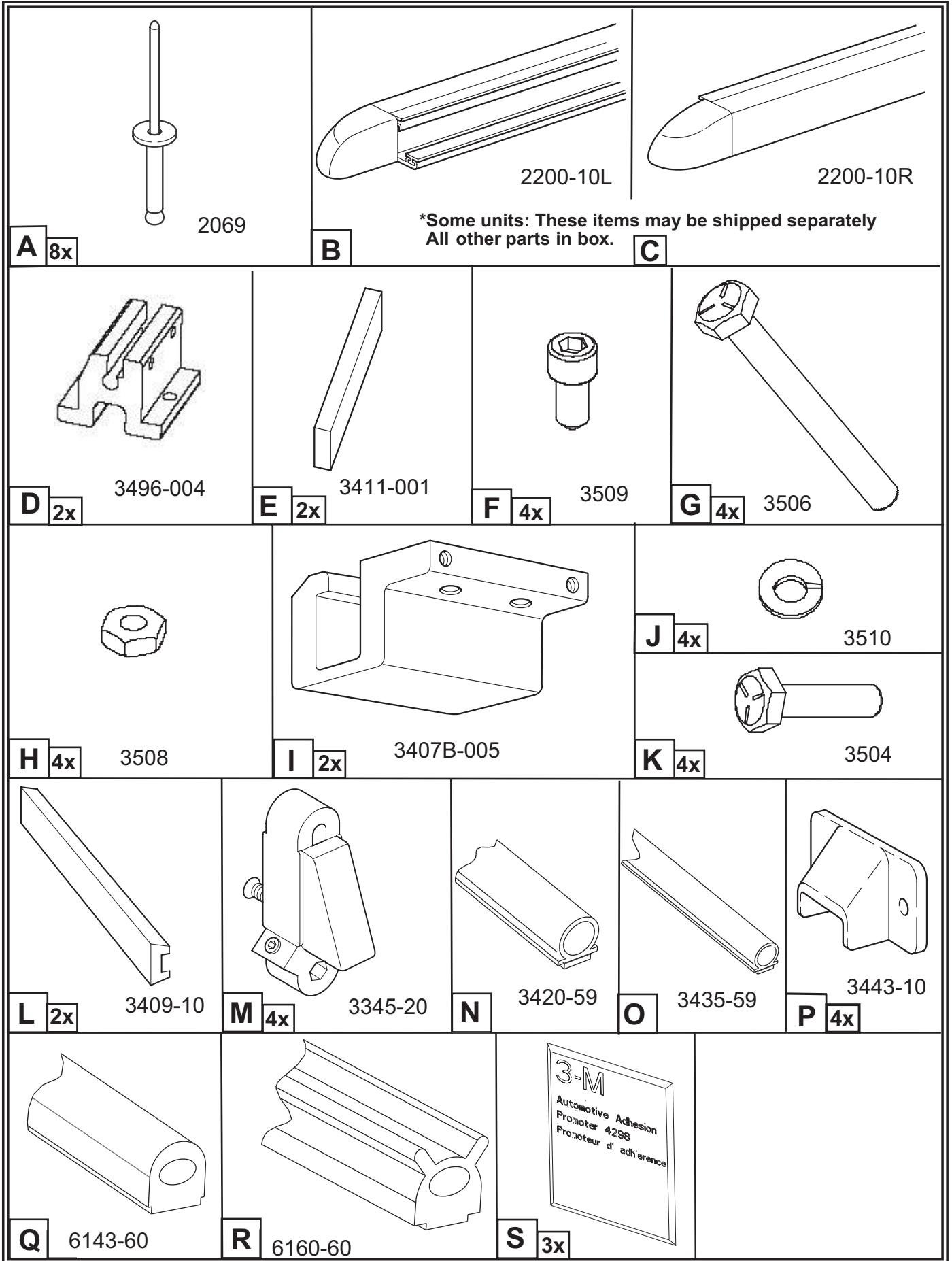


Notes to Installer:

- Read instructions completely before starting.
- Install parts as shown on illustrations.
- Temperature should be no lower than 50°F when installing.
- Be sure the truck is setting on a level surface.
- Apply a dab of lock tight to each fastener before use.
- Some trimming of bed liner may be required for proper fit and function.

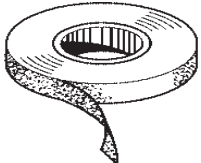
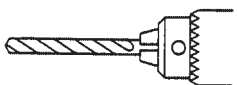
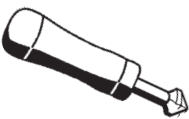





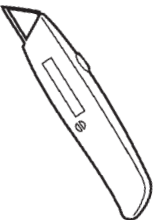

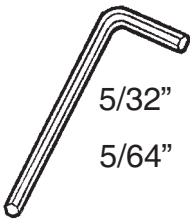
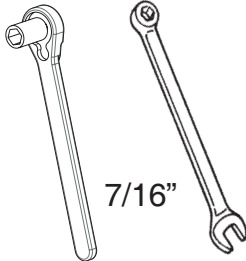
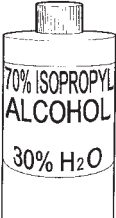
Notes to customer:

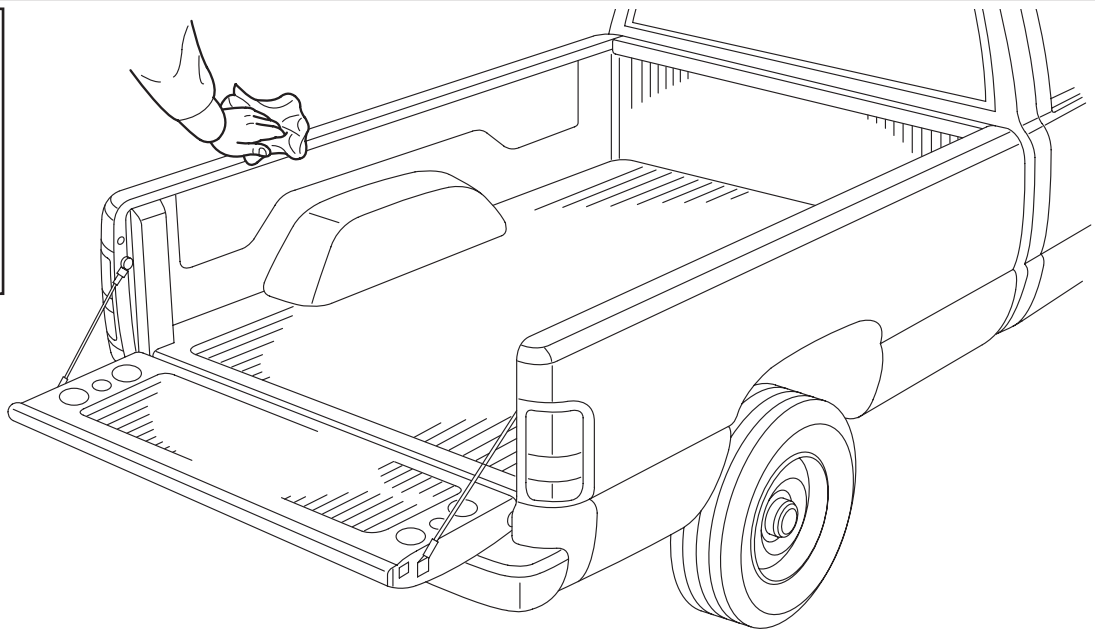
- Record the key number and place in glove box or write it in your owner's manual.
- Refer to the Operation and Care Label located on the underside of the rearmost panel on cover (driver's side).



A	2069	Pop Rivet
B	2200-10L	Drivers Side Wind-Rail
C	2200-10R	Passenger Side Wind-Rail
D	3496-004	Hinge Bracket
E	3411-001	Hinge Bracket Shim
F	3509	#10-32 x 1/2 SHCS
G	3506	1/4-20 x 2 1/4 HHCS
H	3508	1/4-20 Jam Nut
I	3407B-005	C-Clamp
J	3510	1/4" Lock Washer
K	3504	1/4-20 x 1 HHCS
L	3409-10	C-Clamp Shim
M	3345-20	Rod End/Catch Post
N	3420-59	3/4" Dia Seal
O	3435-59	3/8" Dia Seal
P	3443-10	Catch Pocket
Q	6143-60	Rear Seal
R	6160-60	Prong Seal
S	2095	Adhesion Promoter

TOOLS REQUIRED

 MASKING TAPE	 3/16" DRILL	 DEBURR TOOL	 PRIMER & BRUSH	 RIVET GUN	 LOCK TIGHT	
 TORQUE WRENCH			 1/4" Nut Drive	 5/32" 5/64"	 7/16"	 70% ISOPROPYL ALCOHOL 30% H ₂ O

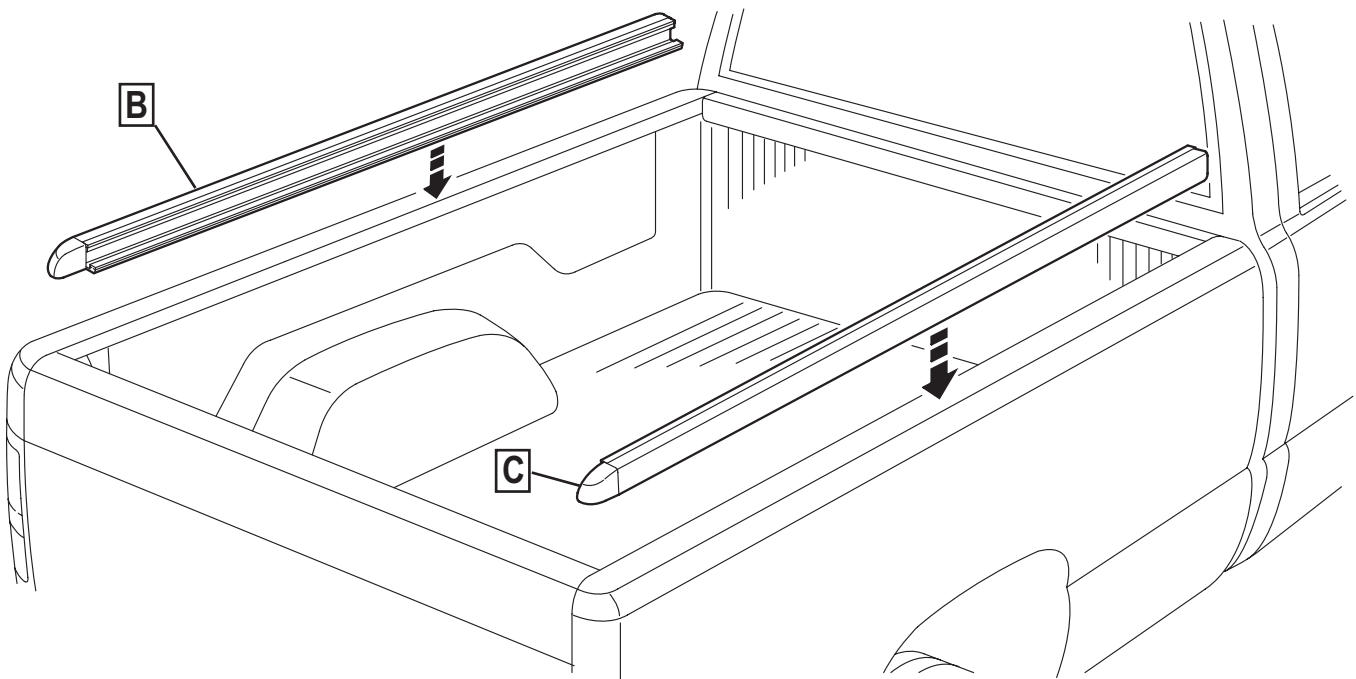


1

CLEAN THE DRIVER AND PASSENGER BED RAILS BEFORE BEGINNING INSTALLATION.

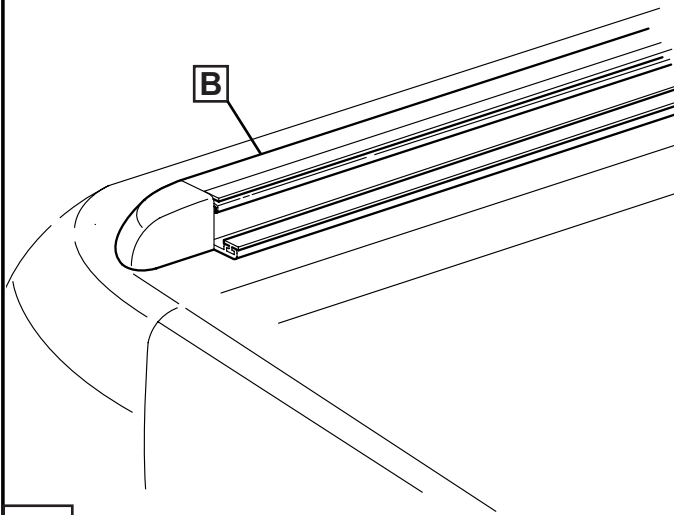
ORIENT ITEMS **B** & **C** (WIND-RAILS) AS SHOWN .

!!! DO NOT REMOVE ADHESIVE BACKING AT THIS TIME !!!

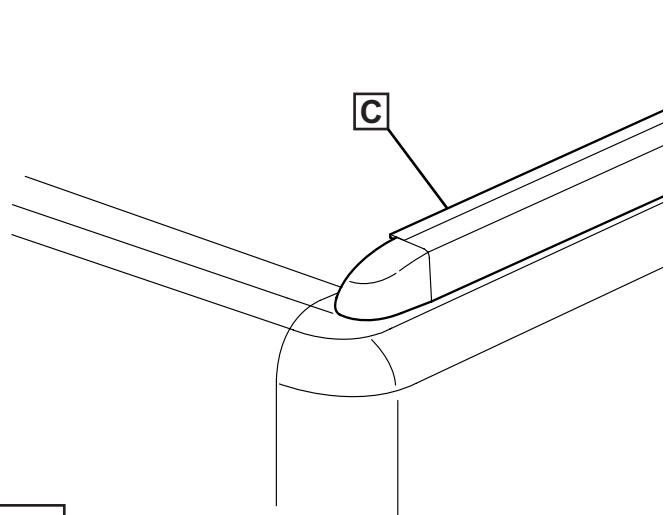


2

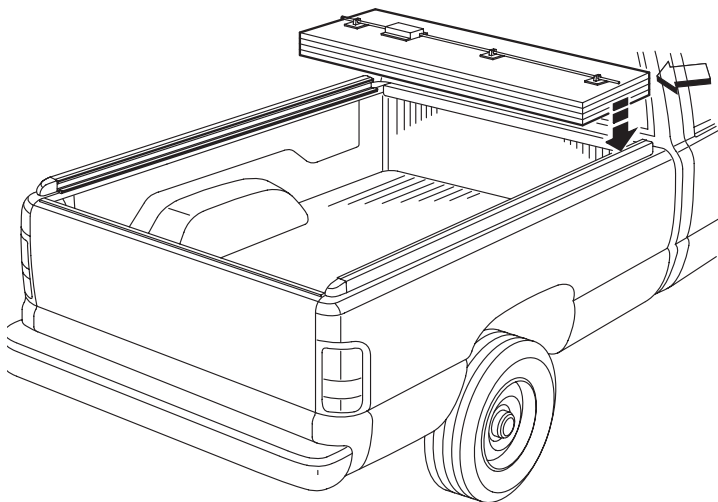
CENTER ITEMS B & C (WIND-RAILS) EVENLY ON THE TRUCK BOX.



3

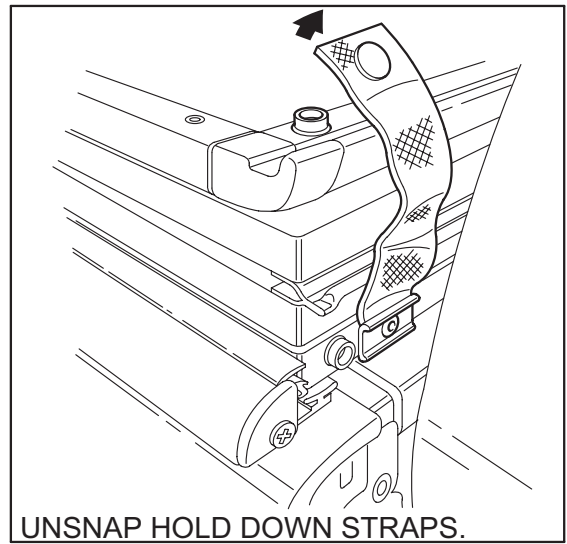


4

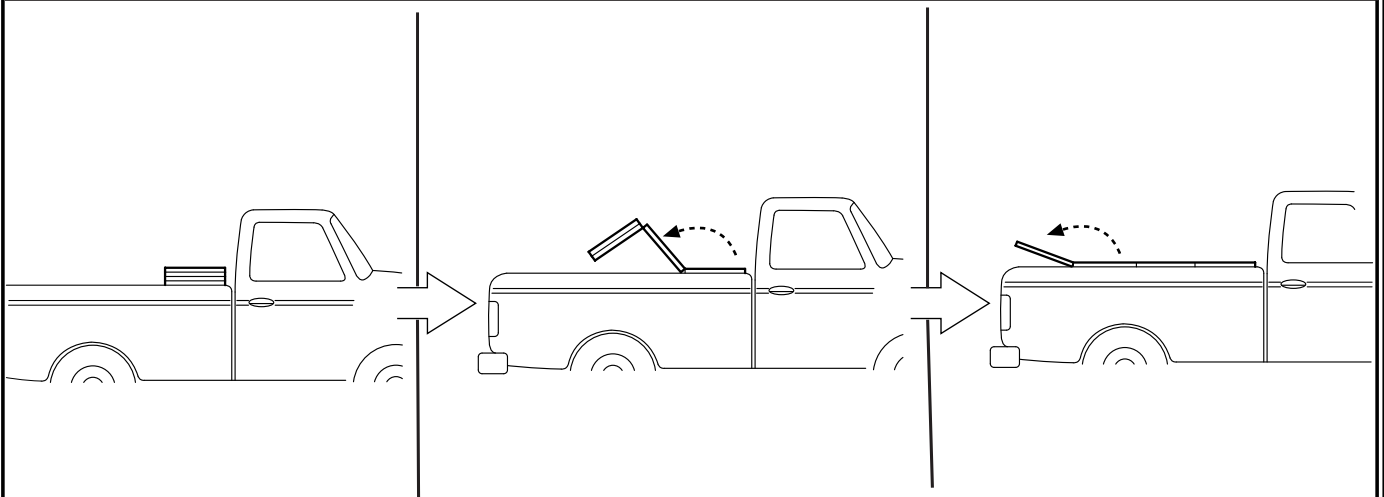


5

PLACE COVER ONTO ITEMS B & C (WINDRAILS), WIND RAILS ARE NOT YET ATTACHED TO TRUCK SO USE CAUTION.



UNSNAP HOLD DOWN STRAPS.



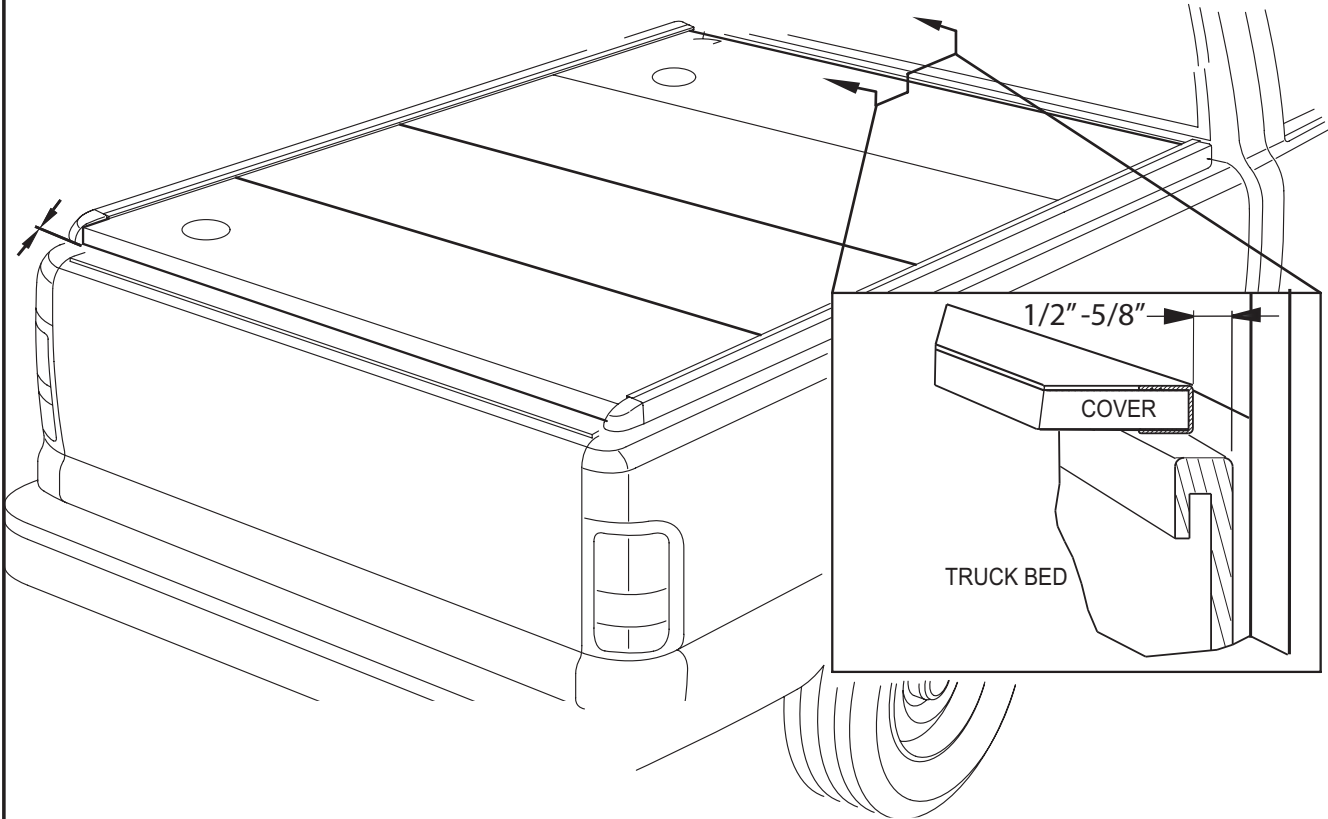
6

UNFOLD COVER AS SHOWN

7

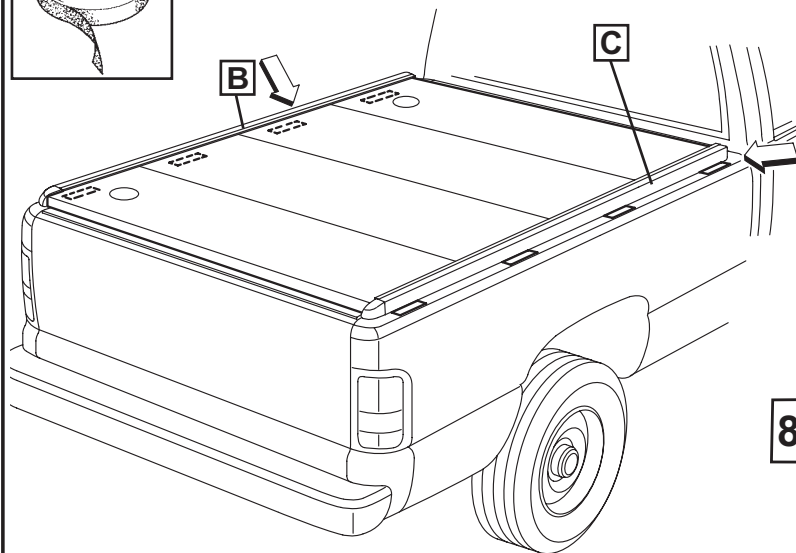
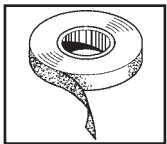
CENTER THE COVER AND THE SIDE RAILS EVENLY ONTO THE TRUCK BOX.

LOCATE THE COVER RELATIVE TO THE FRONT OF THE TRUCK BED AS SHOWN IN THE DETAIL VIEW.



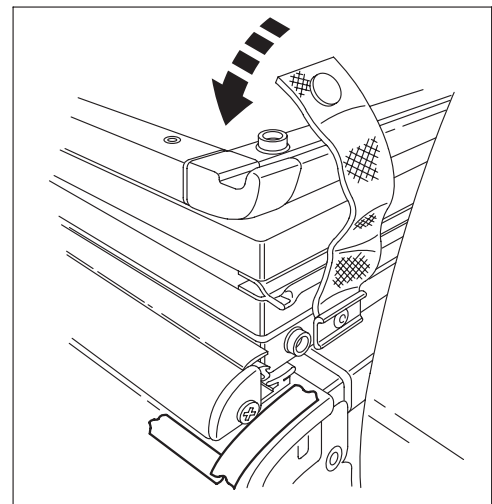
8a.

USE MASKING TAPE TO CAREFULLY AND ACCURATELY MARK THE LOCATIONS OF BOTH RAILS. MARK LOCATION SIDE TO SIDE AND FRONT TO BACK.

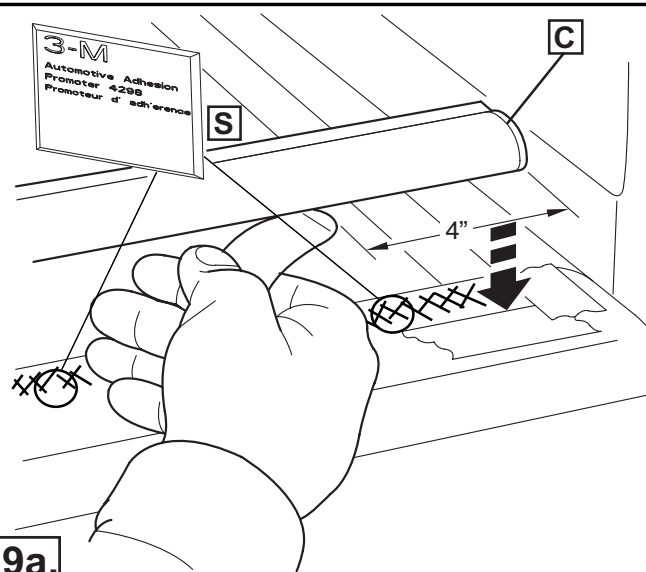


8b.

AFTER MARKING RAIL LOCATIONS, FOLD UP AND REMOVE THE COVER.



WARNING: WIND-RAILS WILL IMMEDIATELY BOND WITH TRUCK SURFACE. USE CARE IN LOCATING PROPERLY!

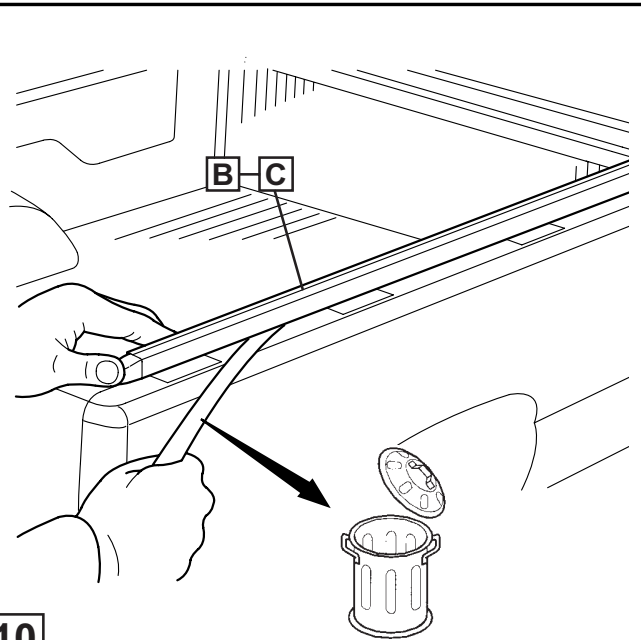


9a.

APPLY ADHESION PROMOTER **S** ALL ALONG THE TOP OF THE BED RAIL WHERE ITEM **C** (WIND-RAIL) WILL BE PLACED.

9b.

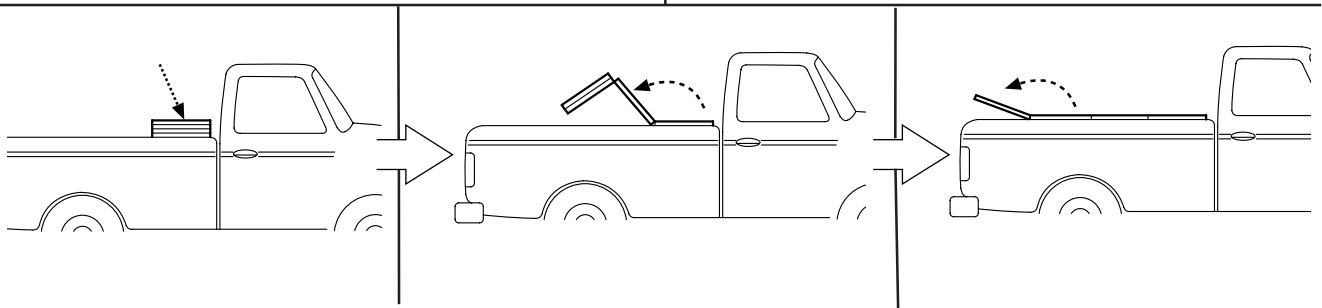
PEEL BACK APPROXIMATELY 4" OF LINER FROM THE WIND RAIL. DO NOT REMOVE ENTIRE LINER. PLACE WINDRAIL ONTO BED RAIL AS SHOWN MAKING USE OF MASKING TAPE MARKERS FROM STEP 8a.



10

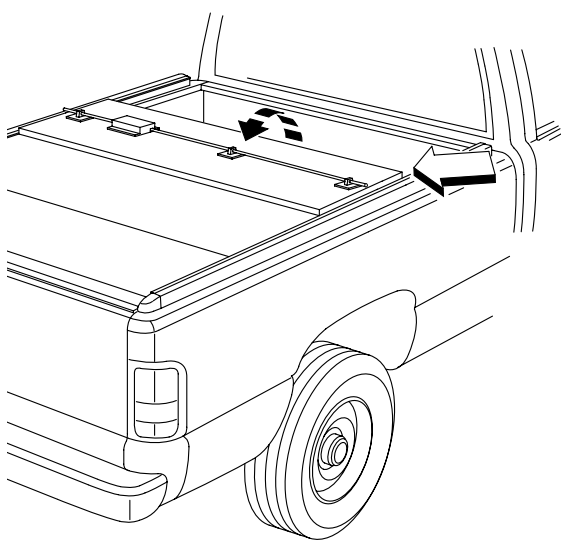
SLOWLY PEEL BACK THE REST OF THE LINER STARTING FROM THE OTHER END; AGAIN USE THE MASKING TAPE MARKERS FROM STEP 8a. TO LOCATE.

REPEAT STEPS 9 AND 10 FOR DRIVER'S SIDE.

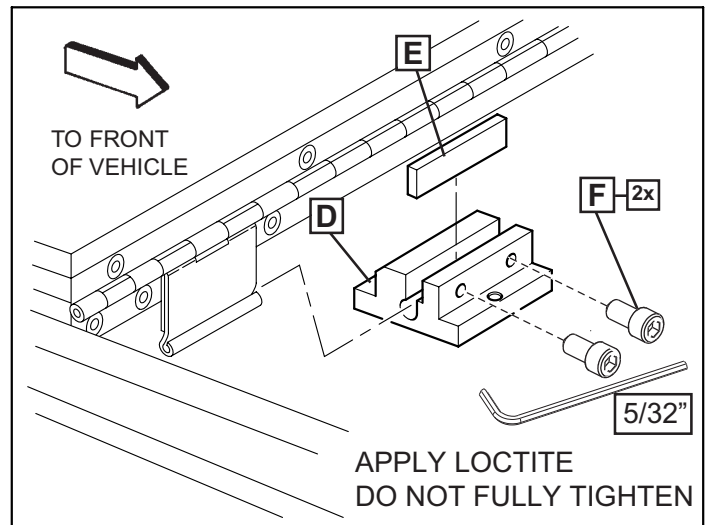


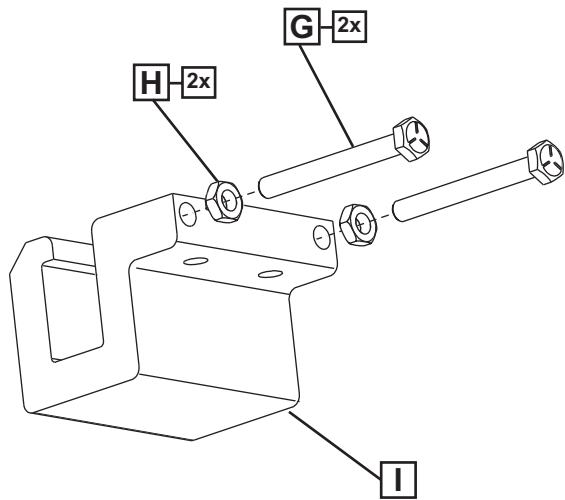
11

PLACE COVER BACK ONTO TRUCK. UNSNAP HOLD DOWN SNAPS AND UNFOLD AS SHOWN.

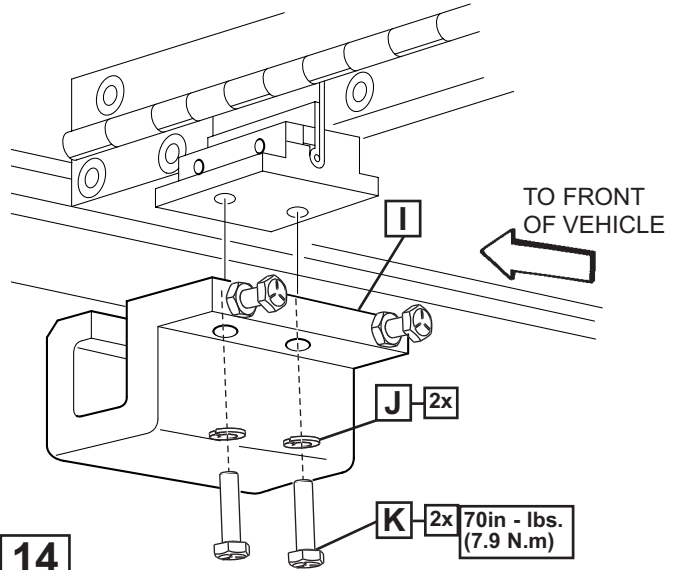


12

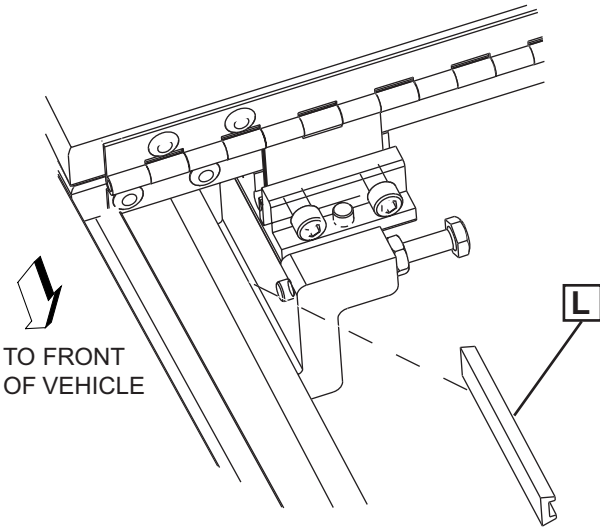




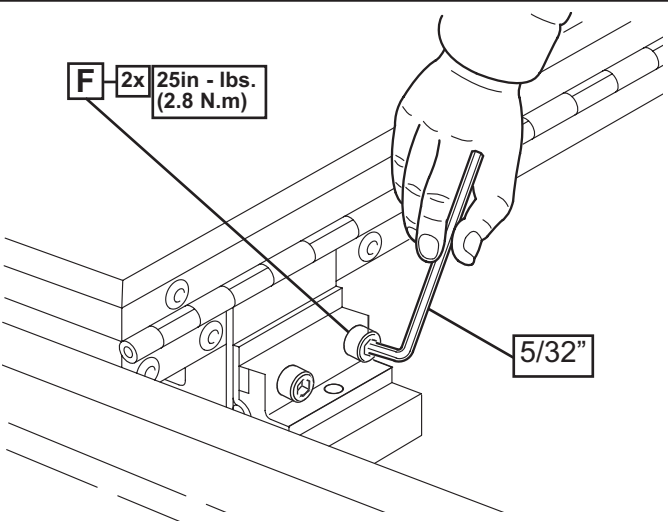
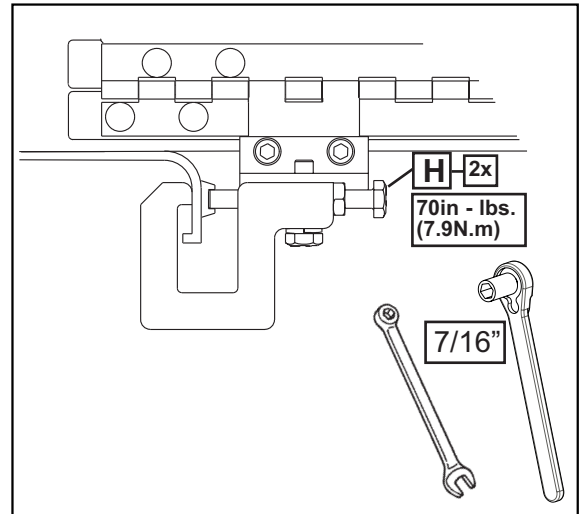
13 PRE-ASSEMBLE COMPONENTS.



14

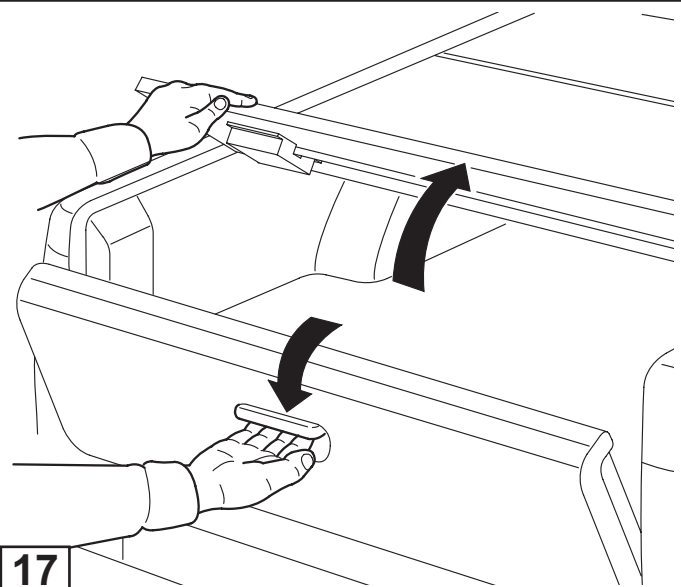


15

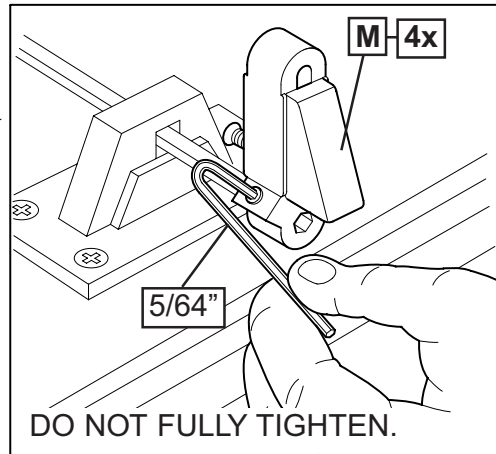
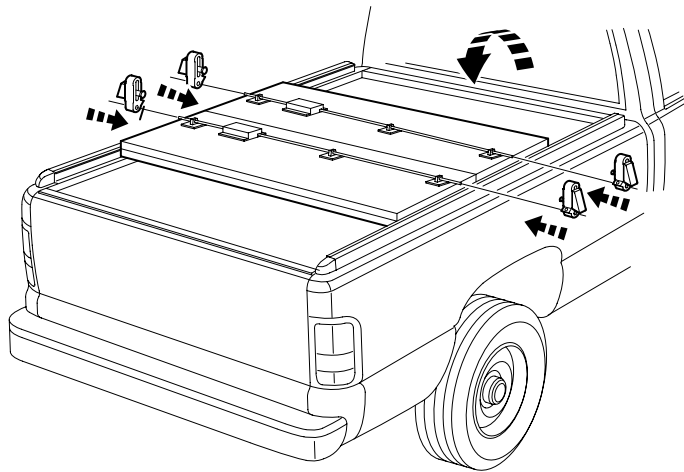


16

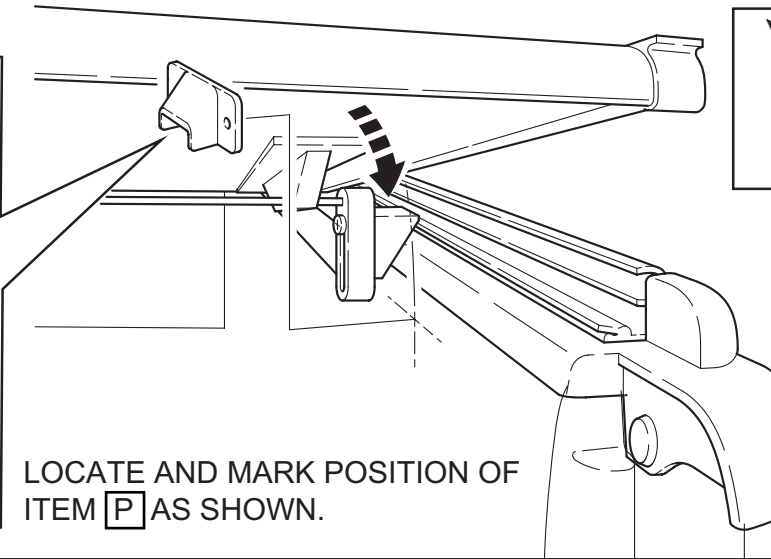
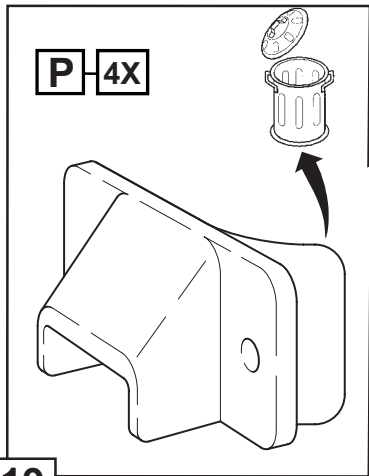
REPEAT STEPS 12-16 FOR OTHER SIDE.



17

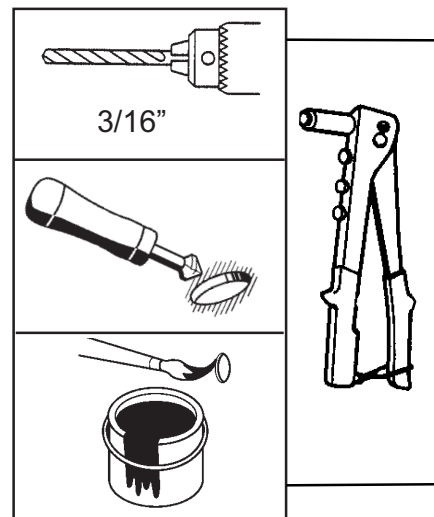
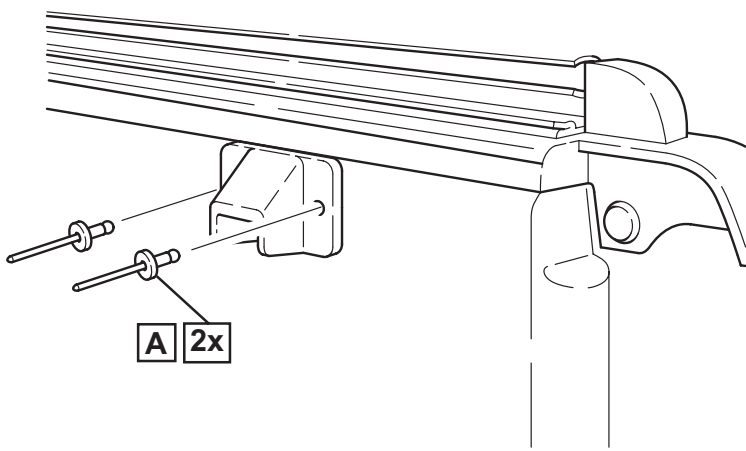


18

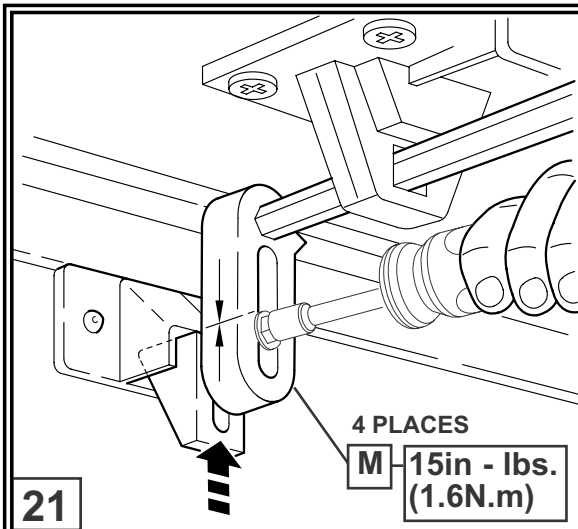


LOCATE AND MARK POSITION OF ITEM **P** AS SHOWN.

19

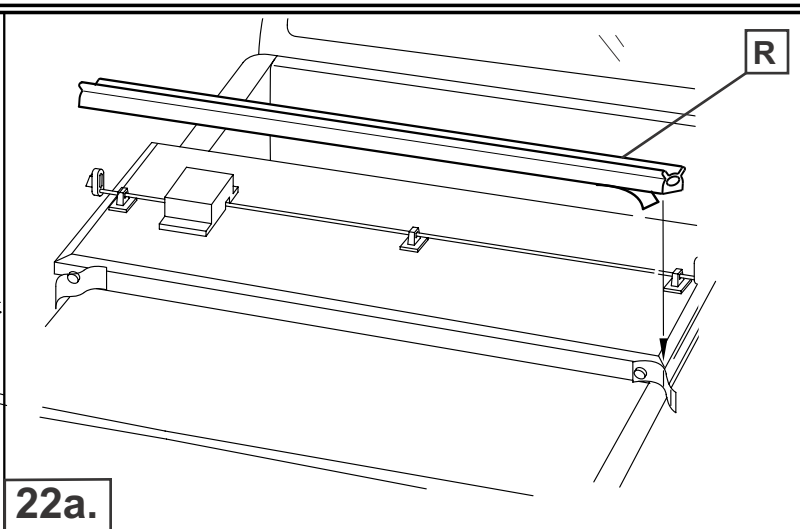


20

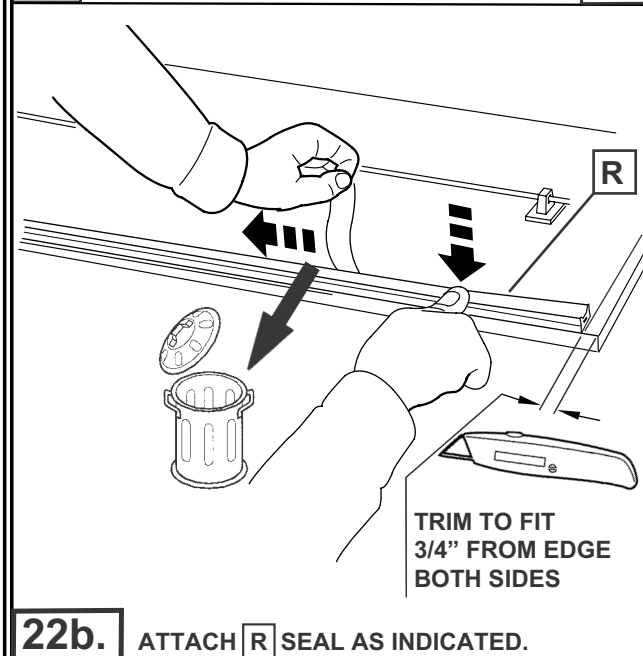


21

4 PLACES
M 15in - lbs.
 (1.6N.m)

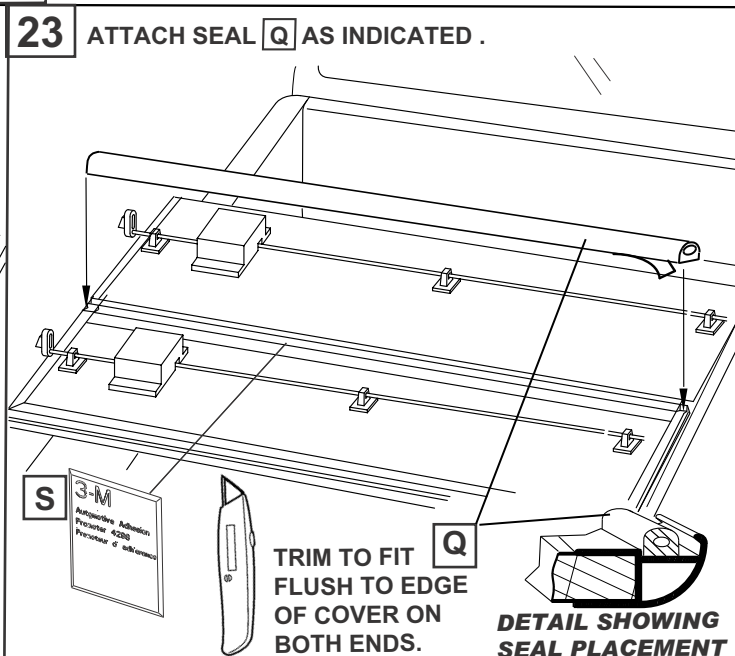


22a.



22b.

ATTACH **R** SEAL AS INDICATED.



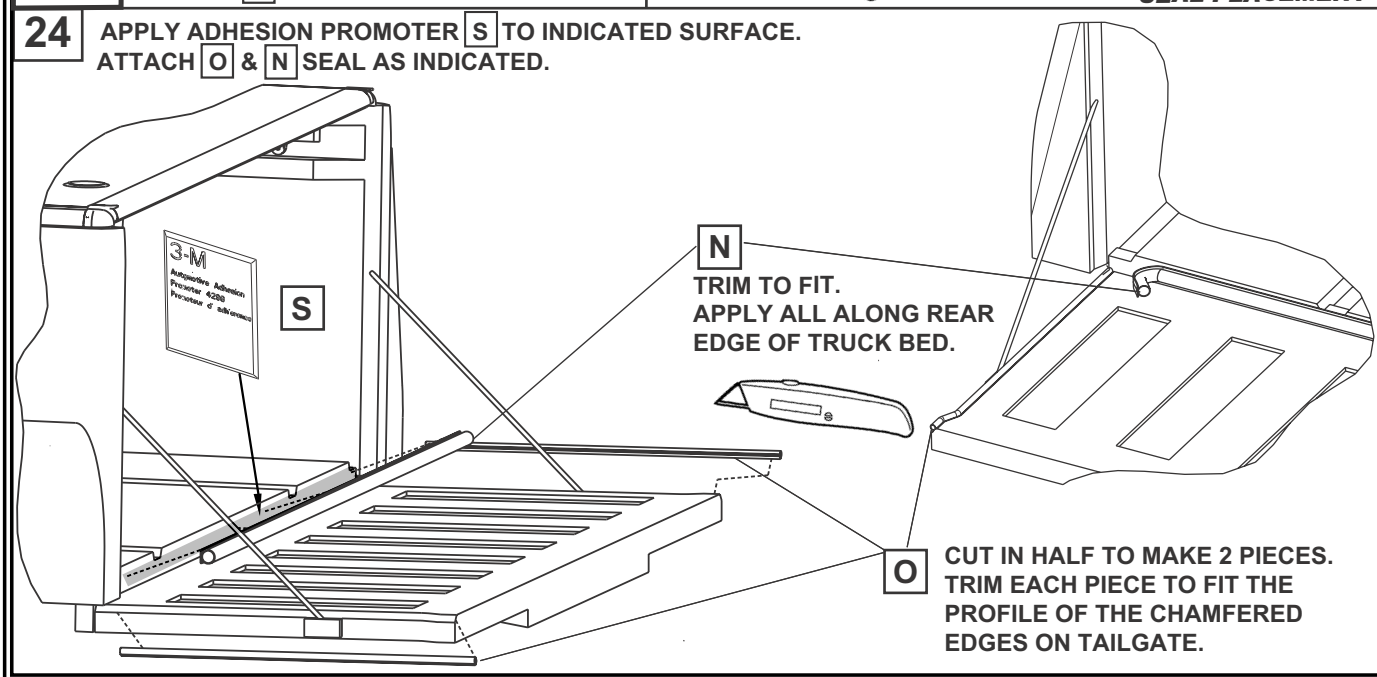
23

ATTACH SEAL **Q** AS INDICATED .

TRIM TO FIT
 3/4" FROM EDGE
 BOTH SIDES

TRIM TO FIT
 FLUSH TO EDGE
 OF COVER ON
 BOTH ENDS.

DETAIL SHOWING
 SEAL PLACEMENT



24

APPLY ADHESION PROMOTER **S** TO INDICATED SURFACE.
 ATTACH **O** & **N** SEAL AS INDICATED.

N
 TRIM TO FIT.
 APPLY ALL ALONG REAR
 EDGE OF TRUCK BED.

O
 CUT IN HALF TO MAKE 2 PIECES.
 TRIM EACH PIECE TO FIT THE
 PROFILE OF THE CHAMFERED
 EDGES ON TAILGATE.