

Fold a Cover[®] / LS series

Built for your lifestyle

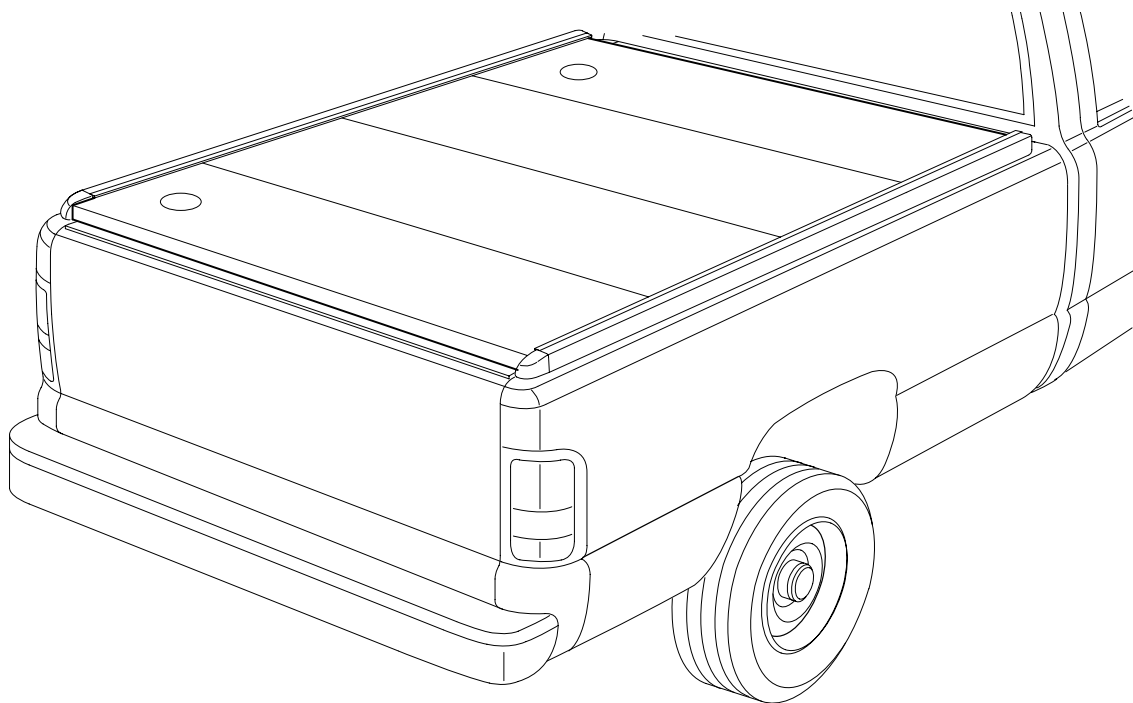
A Division of Steffens Enterprises, Inc.

4045 Karona Ct. • Caledonia, MI 49316

(616) 656-6886

Fax (616) 656-3771

HARD FOLDING TONNEAU COVER INSTALLATION INSTRUCTIONS - 2004 FORD SUPERCREW

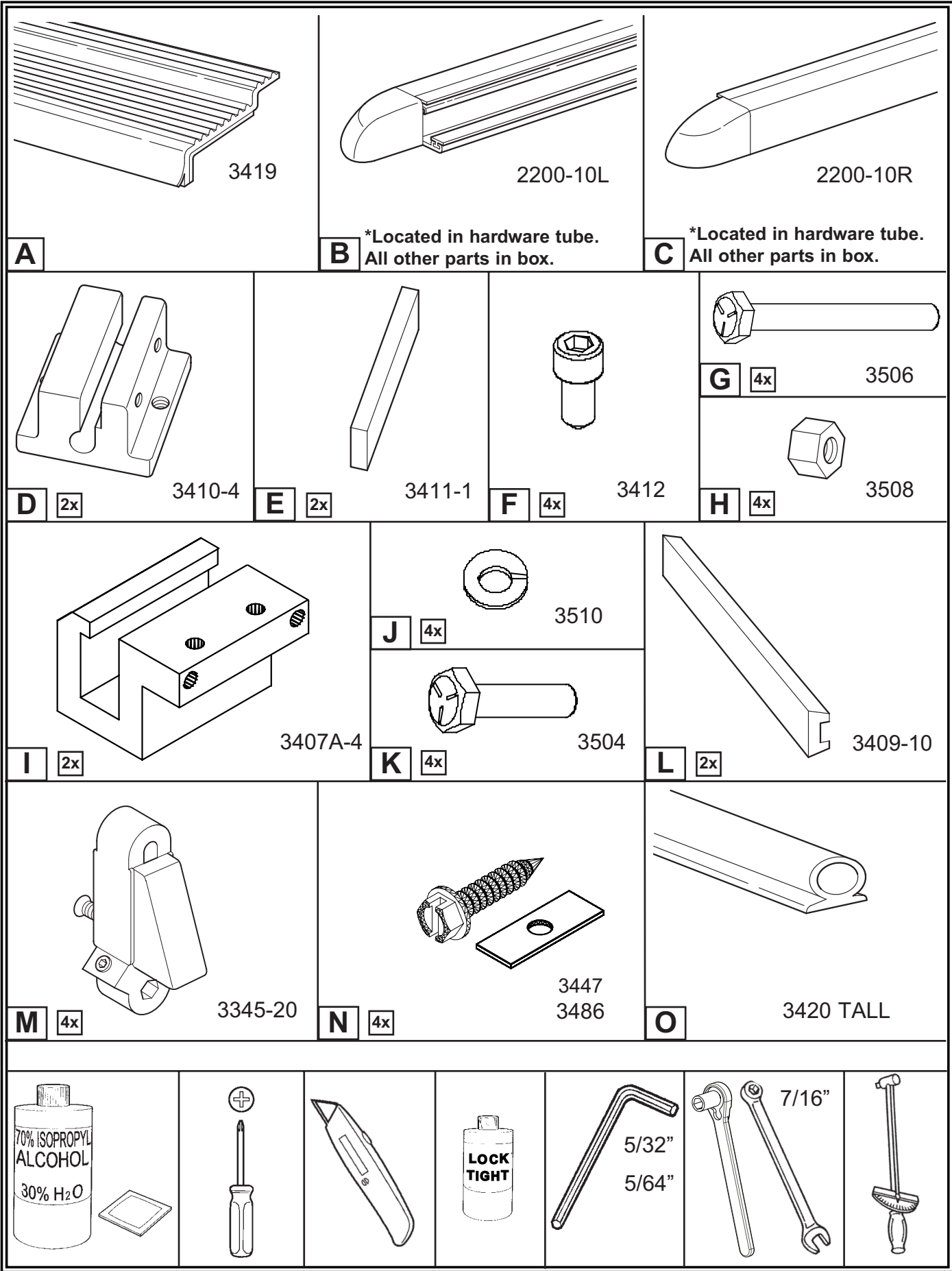


Notes to Installer:

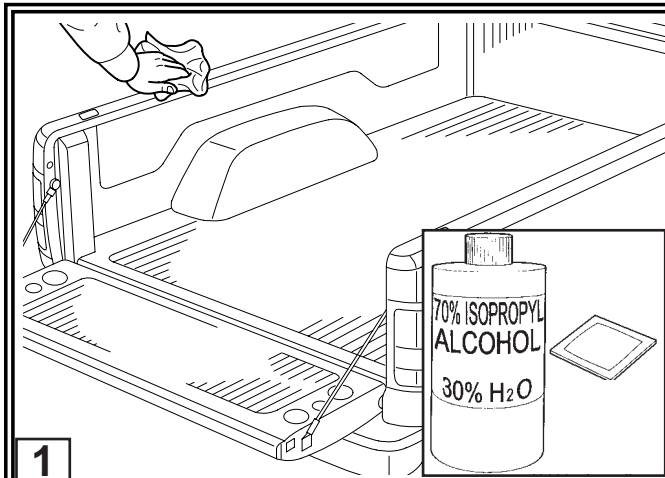
- Install Parts as shown on illustrations.
- Temperature should be no lower than 50° when installing.
- Be sure the truck is setting on a level surface.
- Apply a dab of lock tight to each fastener before use.
- Some trimming of bed liner may be required for proper fit and function.

Notes to customer:

- Record the key number and place in glove box or write it in your owner's manual.
- Refer to the Operation and Care Label located on the underside of the rearmost panel on cover (driver's side).

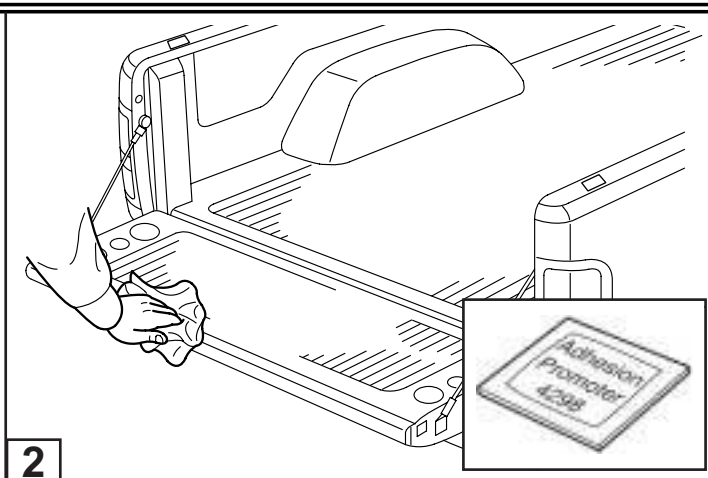


A	3419	Latch Strip
B	2200-10L	Driver Side Rail
C	2200-10R	Passenger Side Rail
D	3410-4	Hinge Bracket
E	3411-1	Hinge Bracket Shim
F	3509	#10-32 x 1/2 SHCS
G	3506	1/4-20 x 2 1/4 HHCS
H	3508	1/4-20 Jam Nut
I	3407A-4	C-Clamp No Mill
J	3510	1/4" Lock Washer
K	3504	1/4-20 x 1 HHCS
L	3409-10	C-Clamp Shim
M	3345-20	Rod End and Catch Post
N	3486	#12 x 1 Slotted Hex Head SMS
N	3447	Support Washer
O	3420-70	D-Seal Large



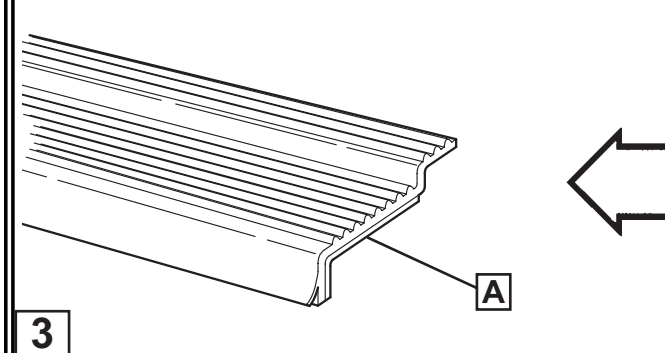
1

USE LATCH STRIP AS SHOWN FOR TRUCKS EQUIPPED WITH TAILGATE COVER.

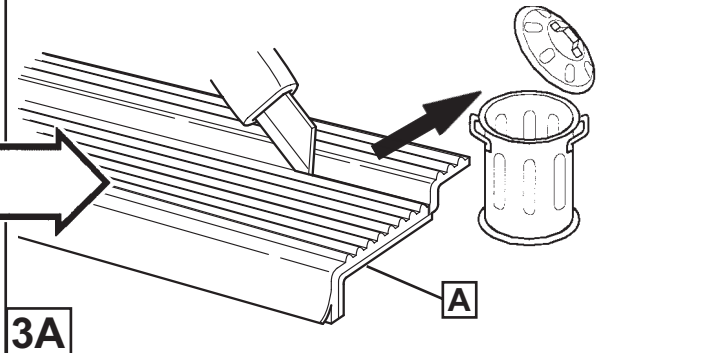


2

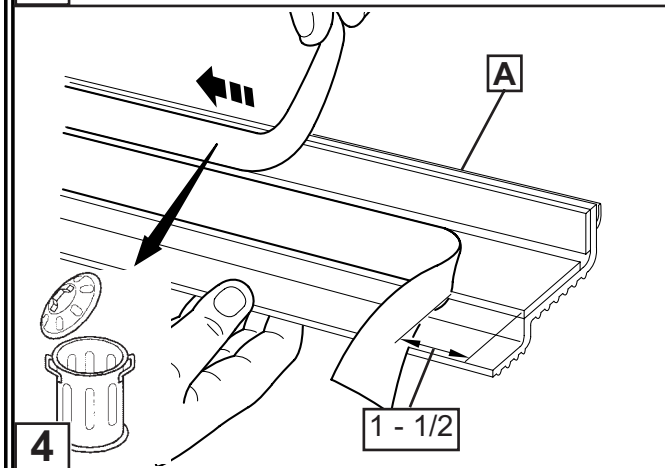
TRIM THE LATCH STRIP AS SHOWN FOR TRUCKS WITHOUT TAILGATE COVER.



3

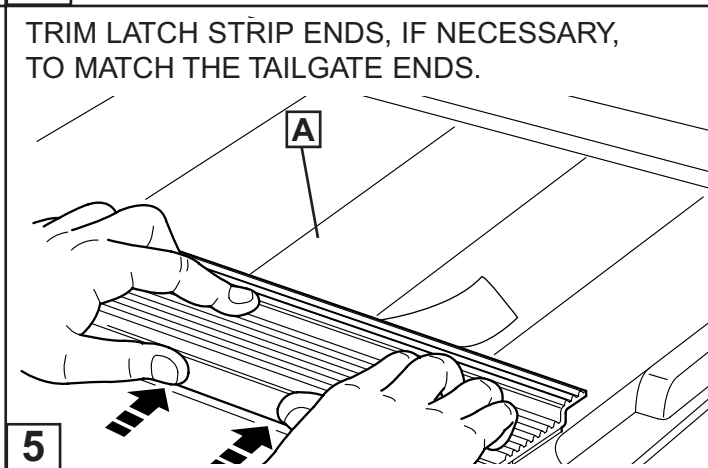


3A



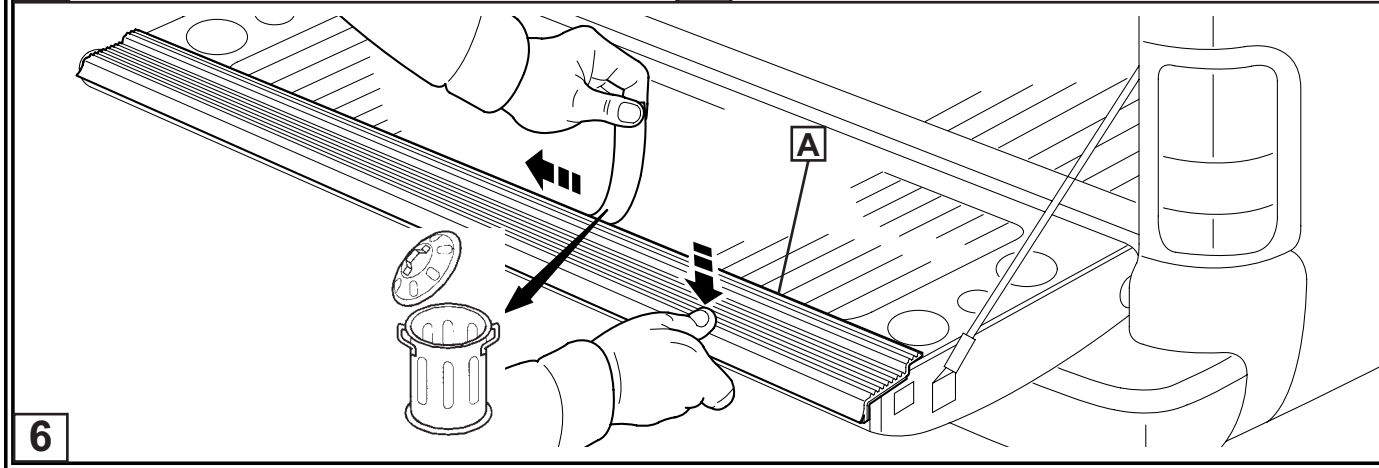
4

1 - 1/2

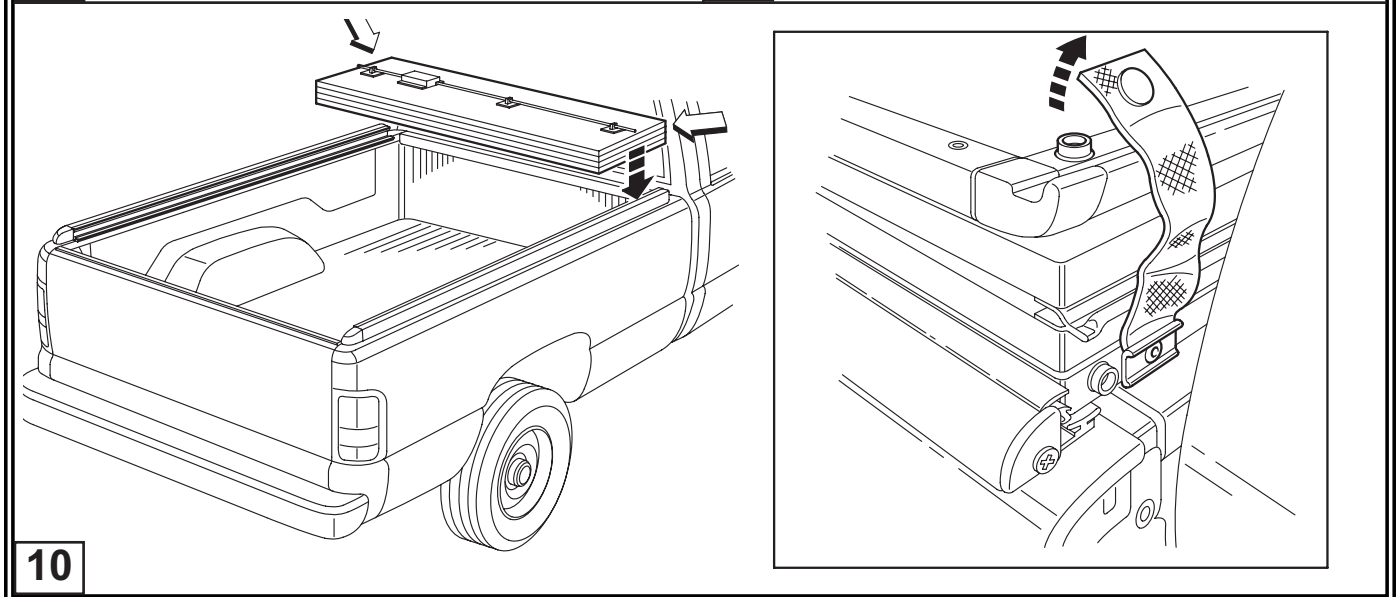
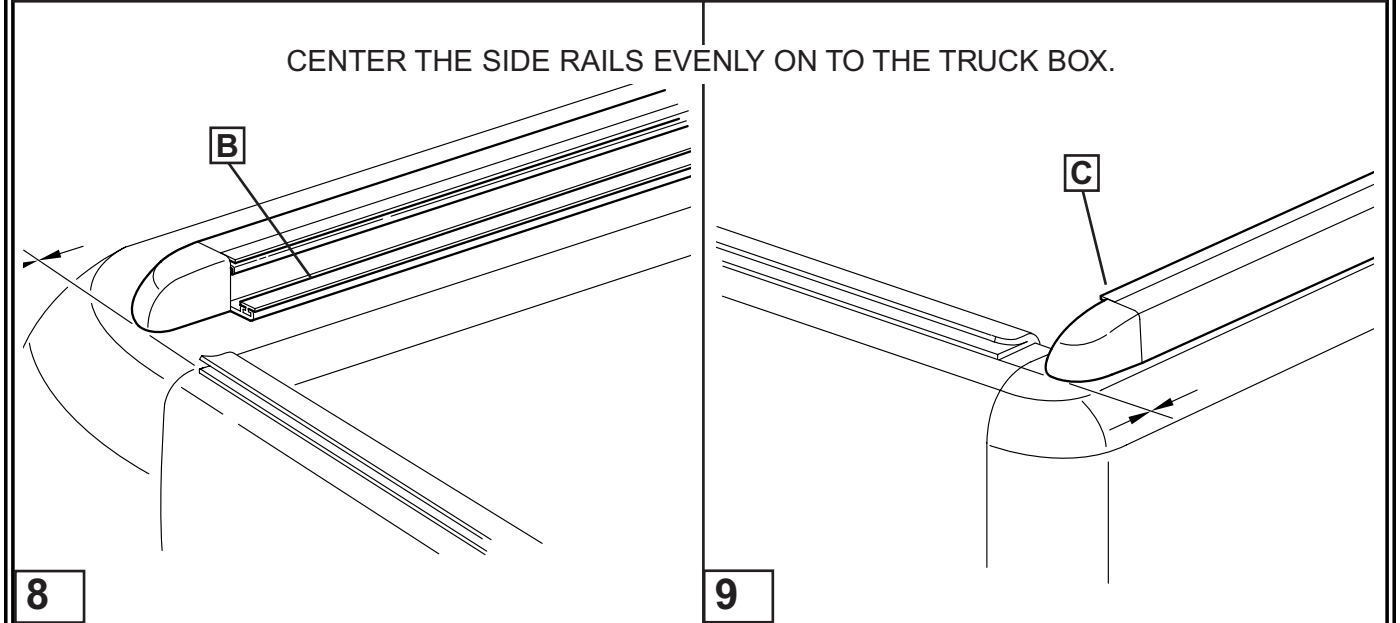
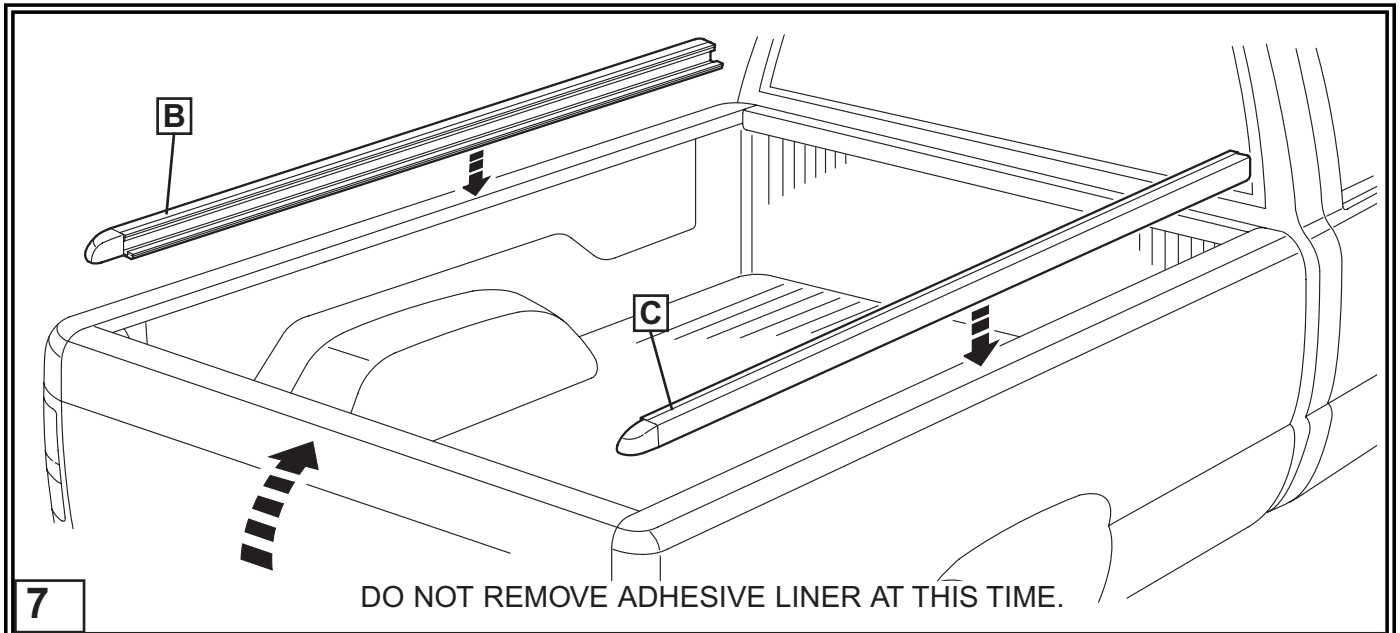


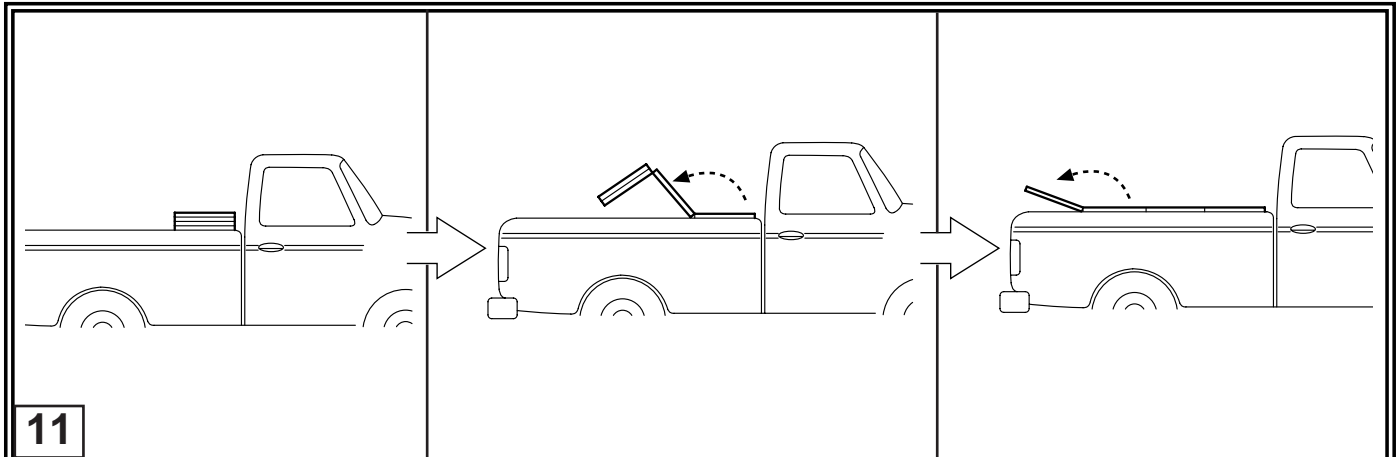
5

TRIM LATCH STRIP ENDS, IF NECESSARY, TO MATCH THE TAILGATE ENDS.



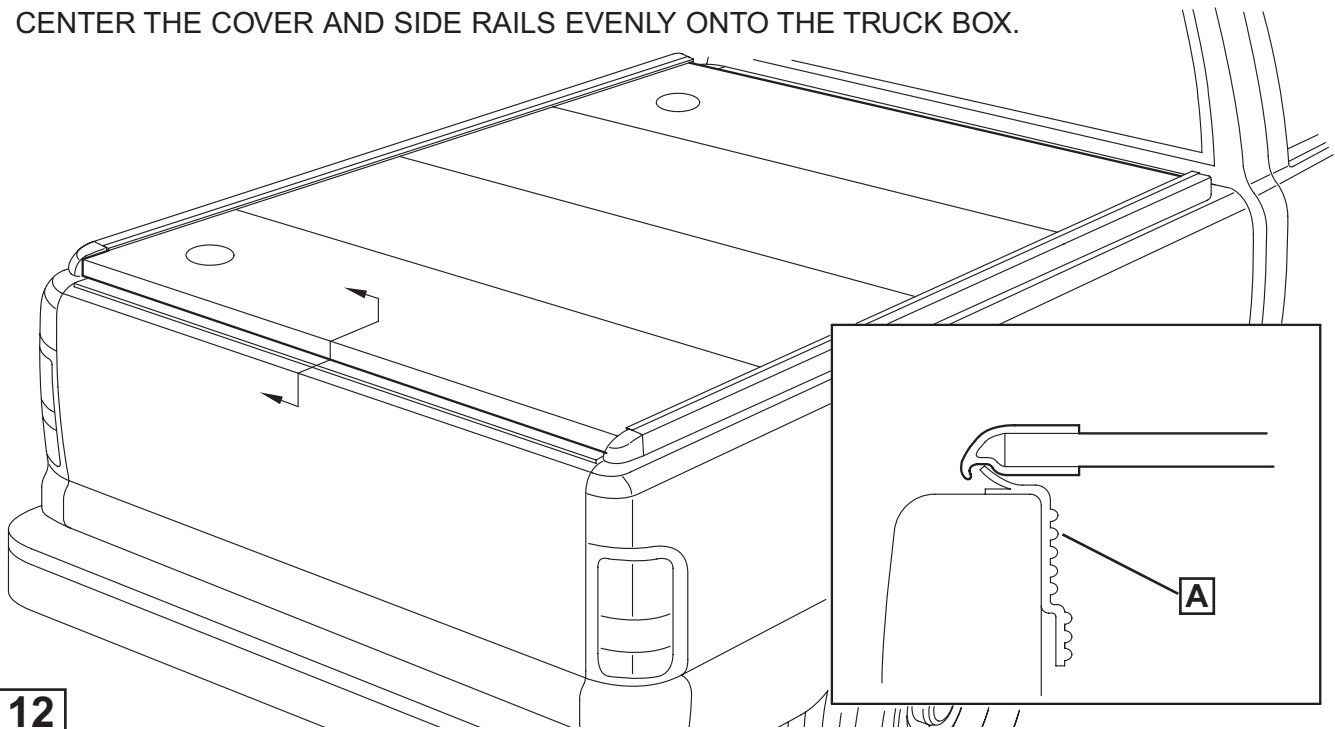
6



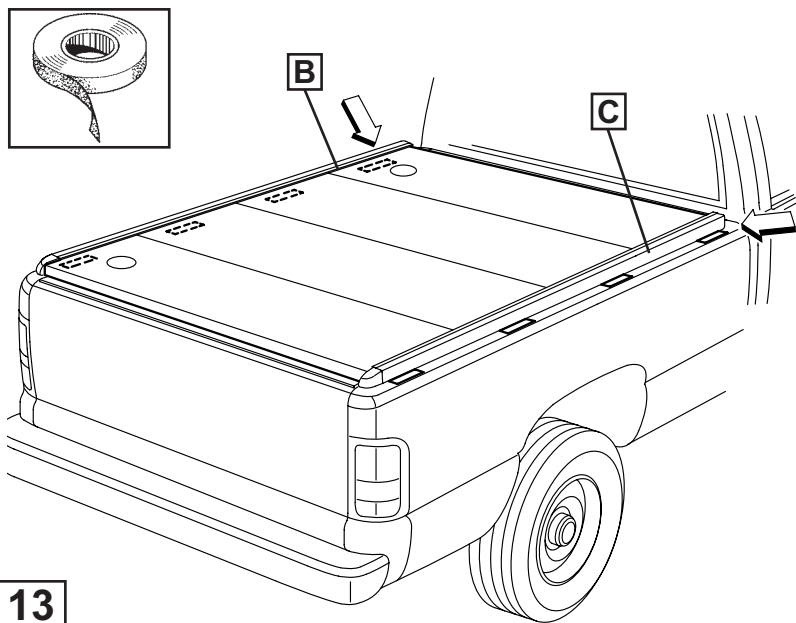


11

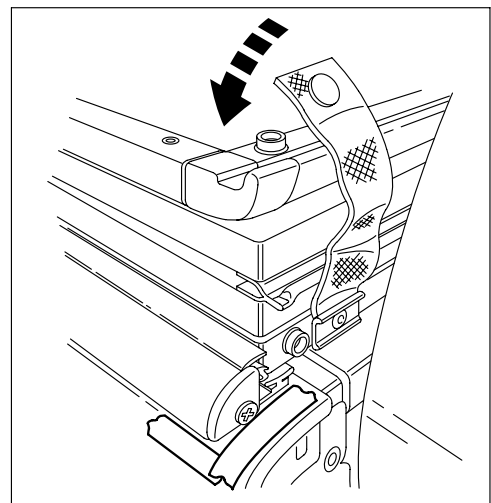
CENTER THE COVER AND SIDE RAILS EVENLY ONTO THE TRUCK BOX.



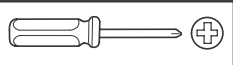
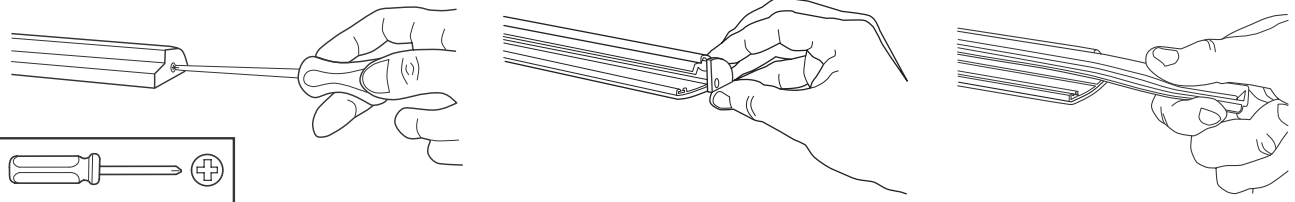
12



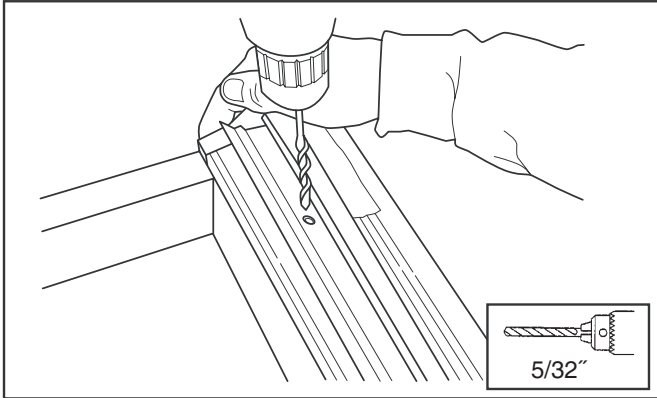
13



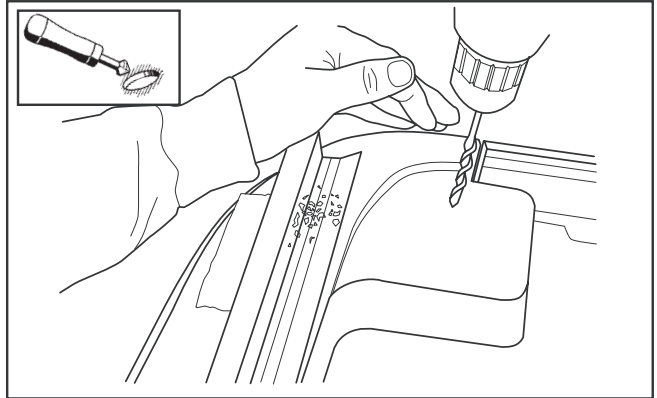
FOLD UP AND REMOVE THE COVER.



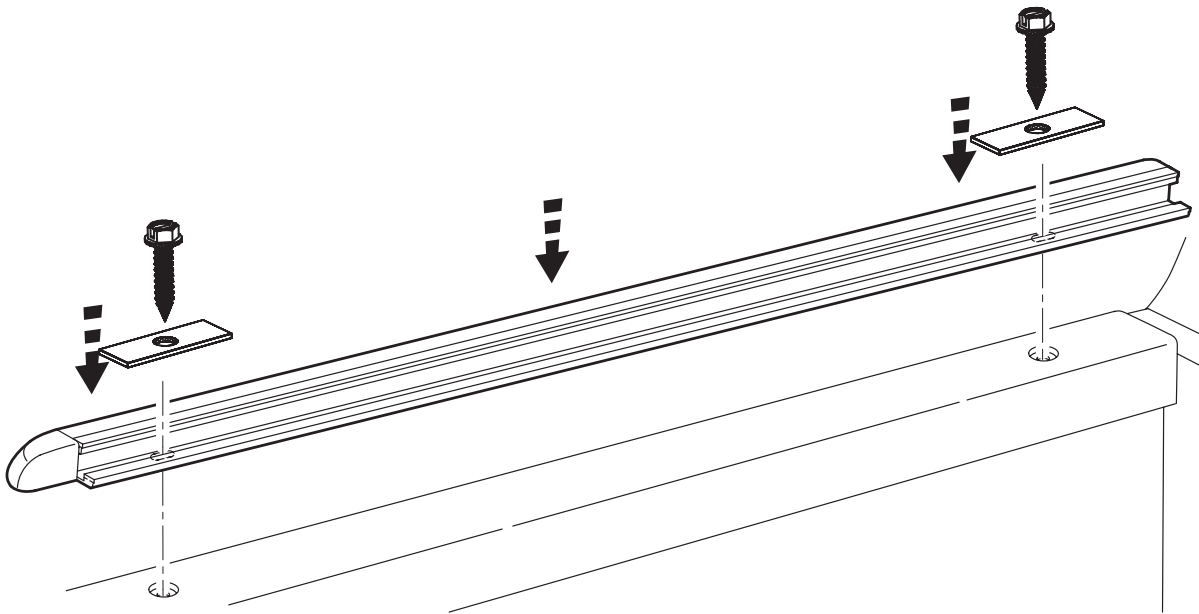
14 Remove front end caps from side rails as shown above. Remove rubber gasket to gain access to holes through which you will drill the holes in the truck sides.



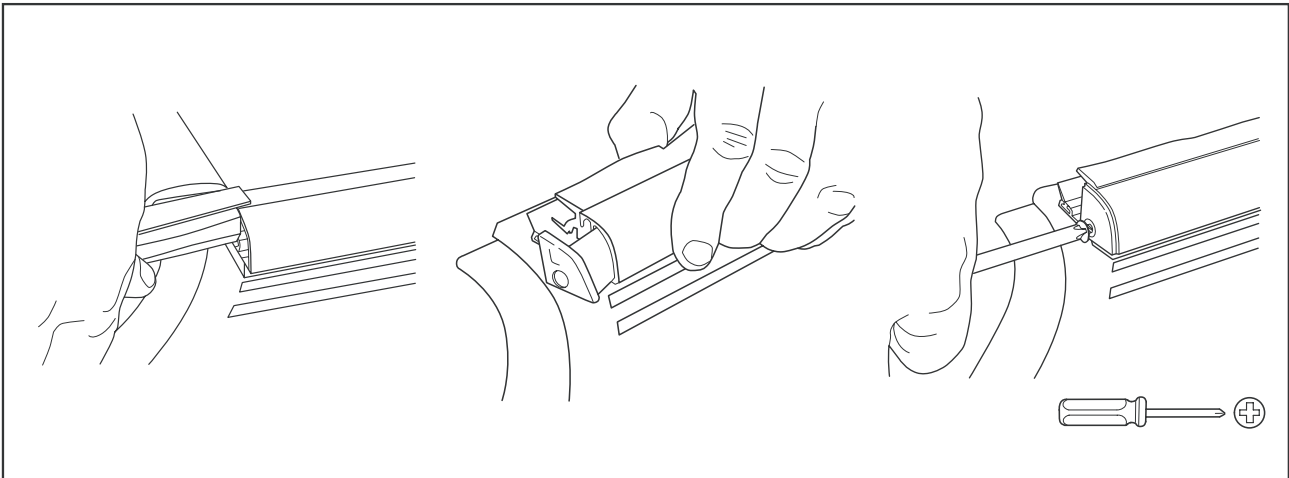
15 Set rails on truck using tape as a guide for position. Starting at the front (cab end) of truck, drill through the holes in the rail, through the sides of the truck, holding rail firmly in position while drilling.



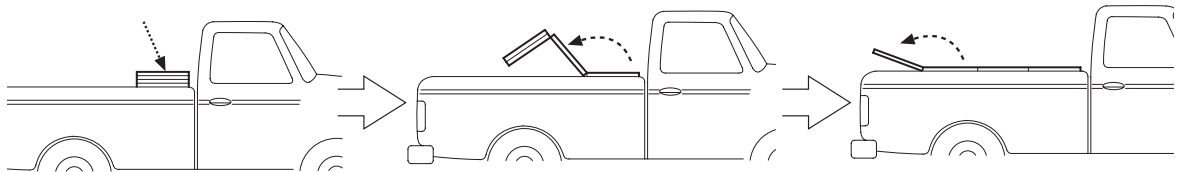
16 Once you have drilled the rail holes, be sure to remove any burrs and rough edges with a deburring tool.



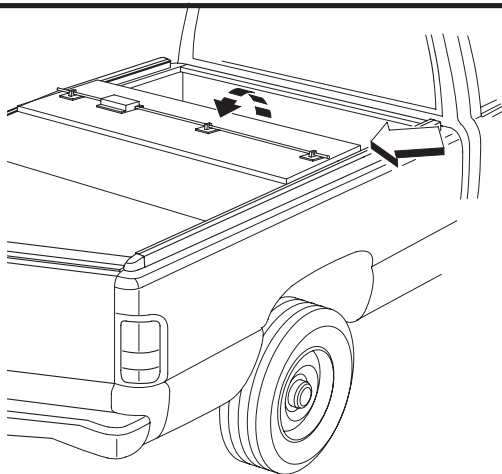
17



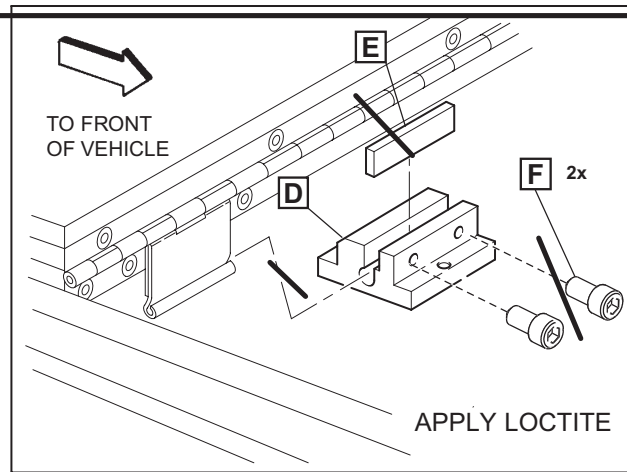
18 Replace the rubber gasket in each rail by feeding it into the rail from the front (cab end) of the truck. After the gasket is in place, place the end cap on the end of the rail. Then screw the end cap back in place to secure.

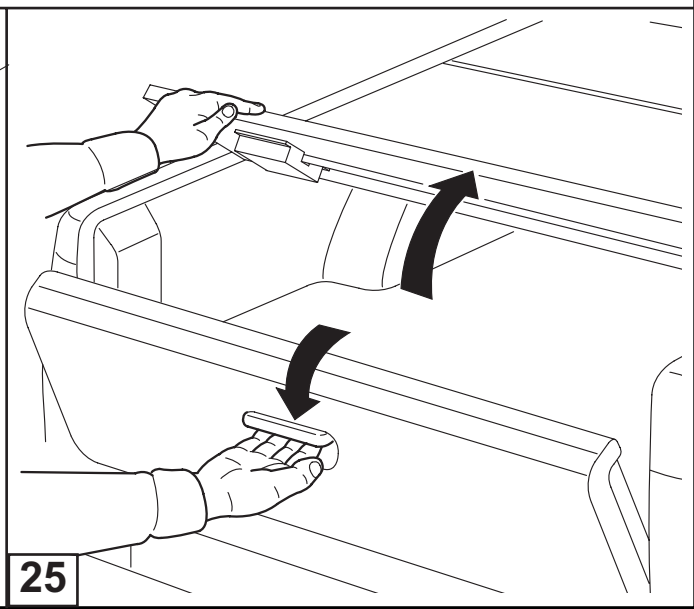
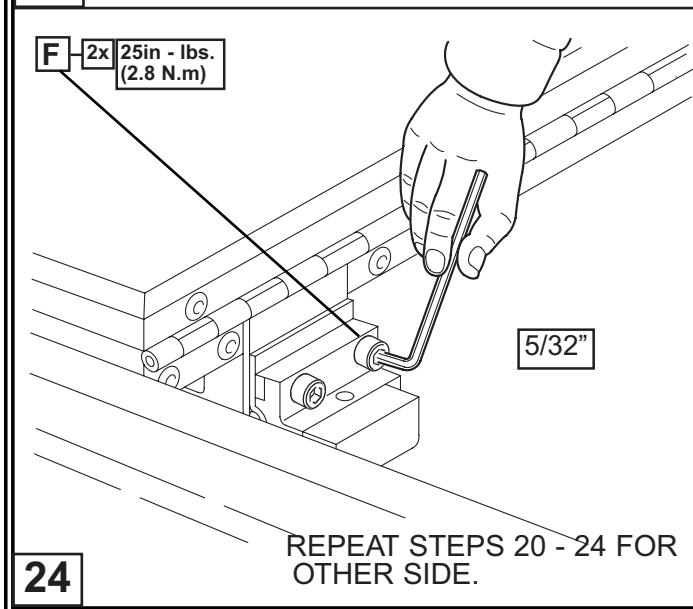
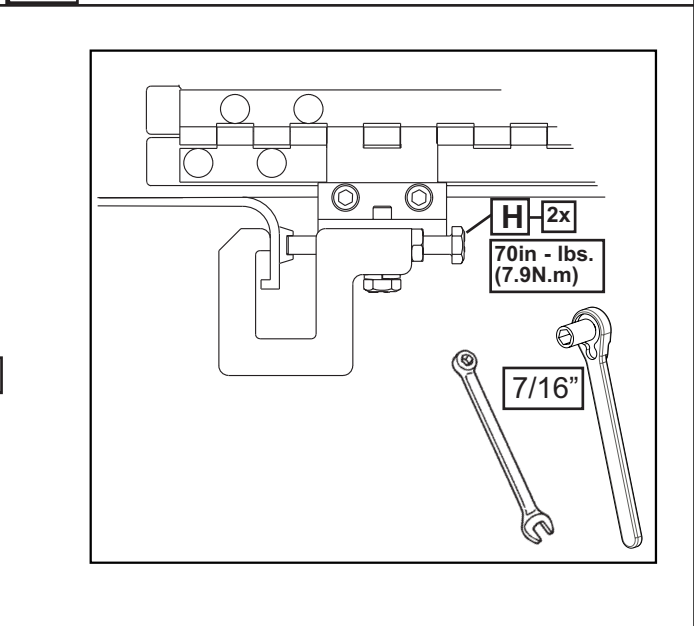
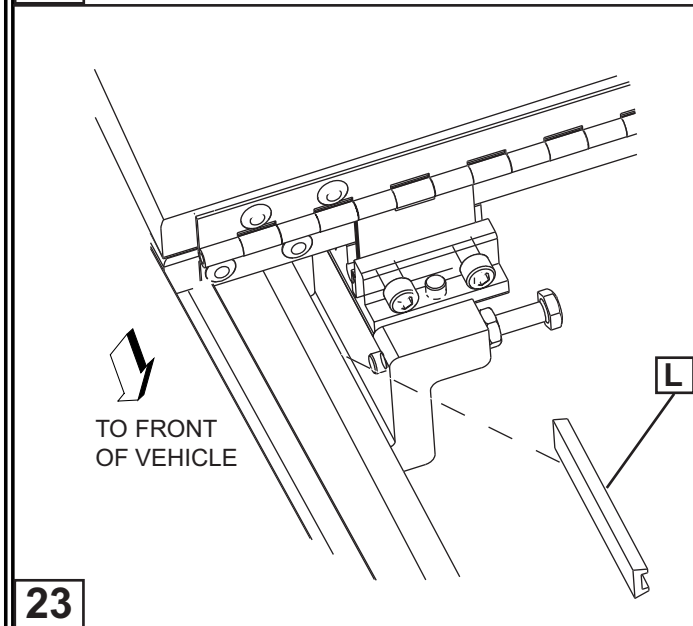
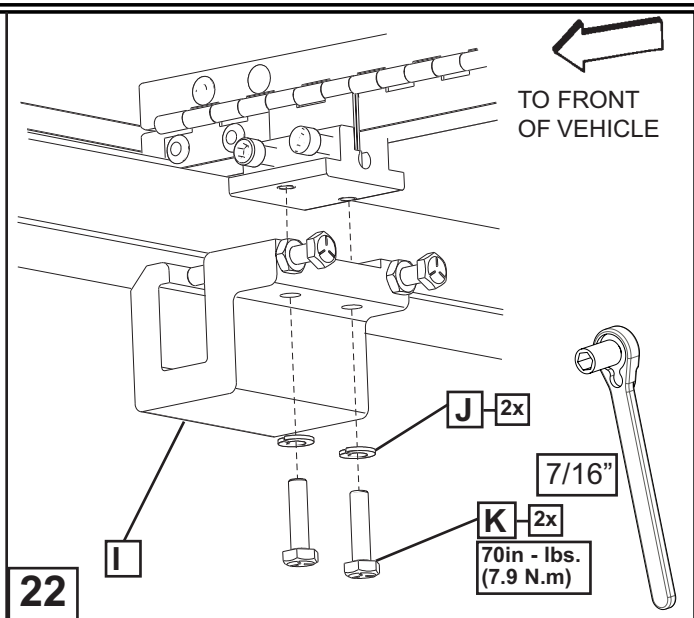
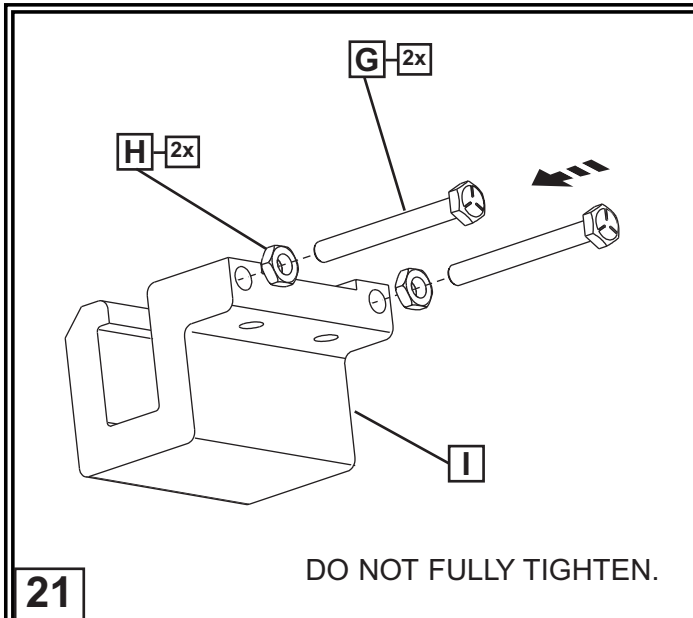


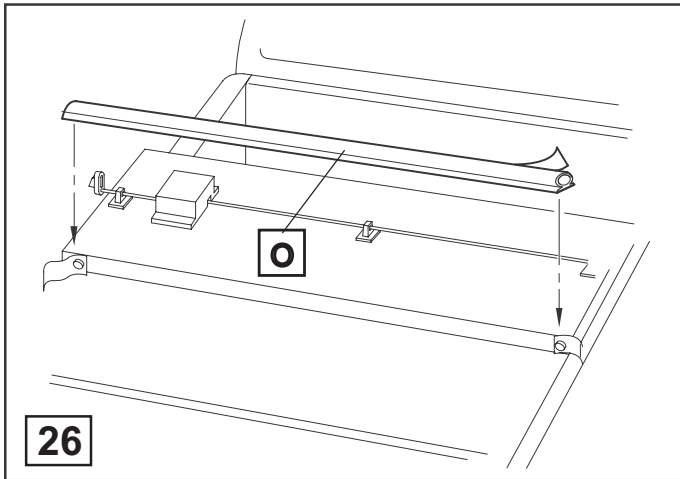
19



20

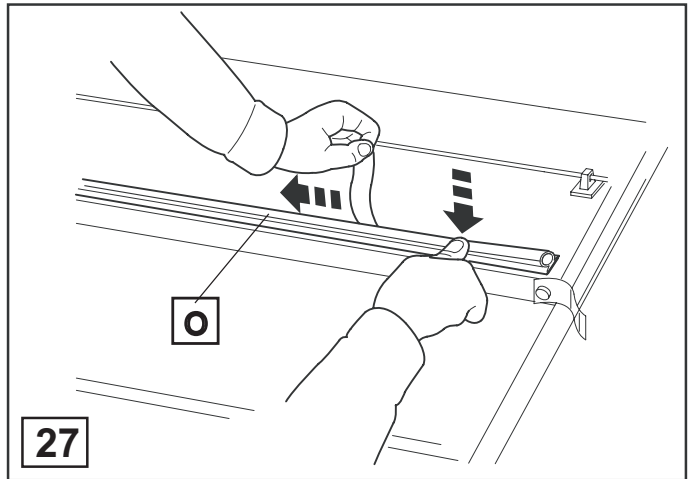




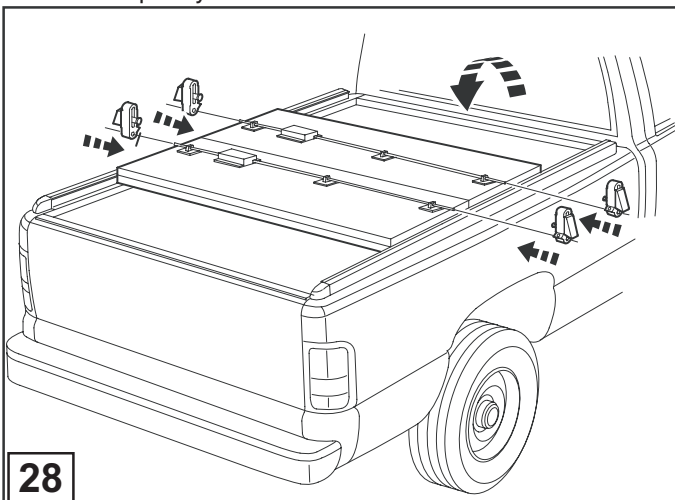


26

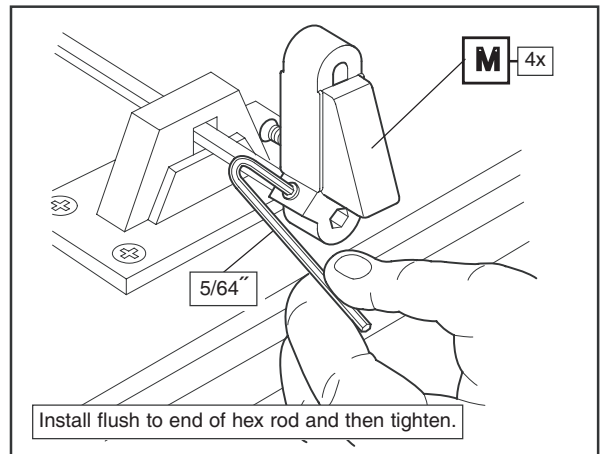
Cut length of Strip O to fit between side rails, then apply as shown. If you have an over-the-rail bed liner this strip may not work.



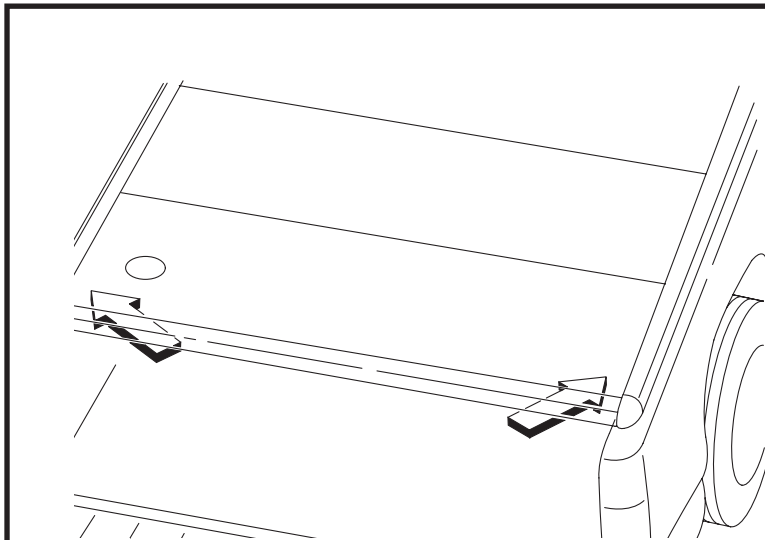
27



28



Install flush to end of hex rod and then tighten.



29

POSITION REAR SIDE CLAMPS FLUSH TO TRUCK BOX.

