



# HARD FOLDING TONNEAU COVER INSTALLATION GUIDE

<b>3641K</b> MAY/2008	GUIDE FOR FOLD-A-COVER®: TT6322	TRUCK MODEL(S): <b>2007 TOYOTA TUNDRA</b>
--------------------------	------------------------------------	---

### NOTES TO INSTALLER:

- Install Parts as shown in illustrations.
- Temperature should be no lower than 70° F when installing.
- Be sure the truck is setting on a level surface.
- Apply lock tight to each fastener during installation.
- **Some trimming of bed liner may be required for proper fit and function.**
- Make sure the end user receives the warranty registration envelope, keys, and the operation instructions.



\* Truck model shown in images may or may not represent the truck referred to in this installation guide.

### NOTES TO CUSTOMER:

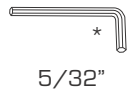
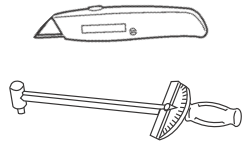
- For proper use and maintenance, refer to the operation and care label located on the underside of the rearmost panel on cover (driver's side).



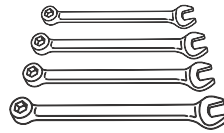
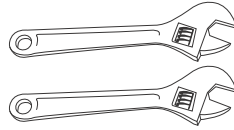
Fold-a-Cover® is a division of Steffens Enterprises, Inc.  
4045 Karona Ct. Caledonia, MI 49316  
phone: (616) 656.6886 fax: (616) 656.3771

**HARD FOLDING TONNEAU COVER INSTALLATION GUIDE**

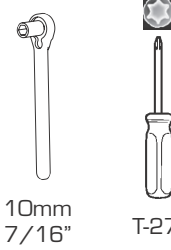
**RECOMMENDED TOOLS:**



\*Ball end allen wrench recommended

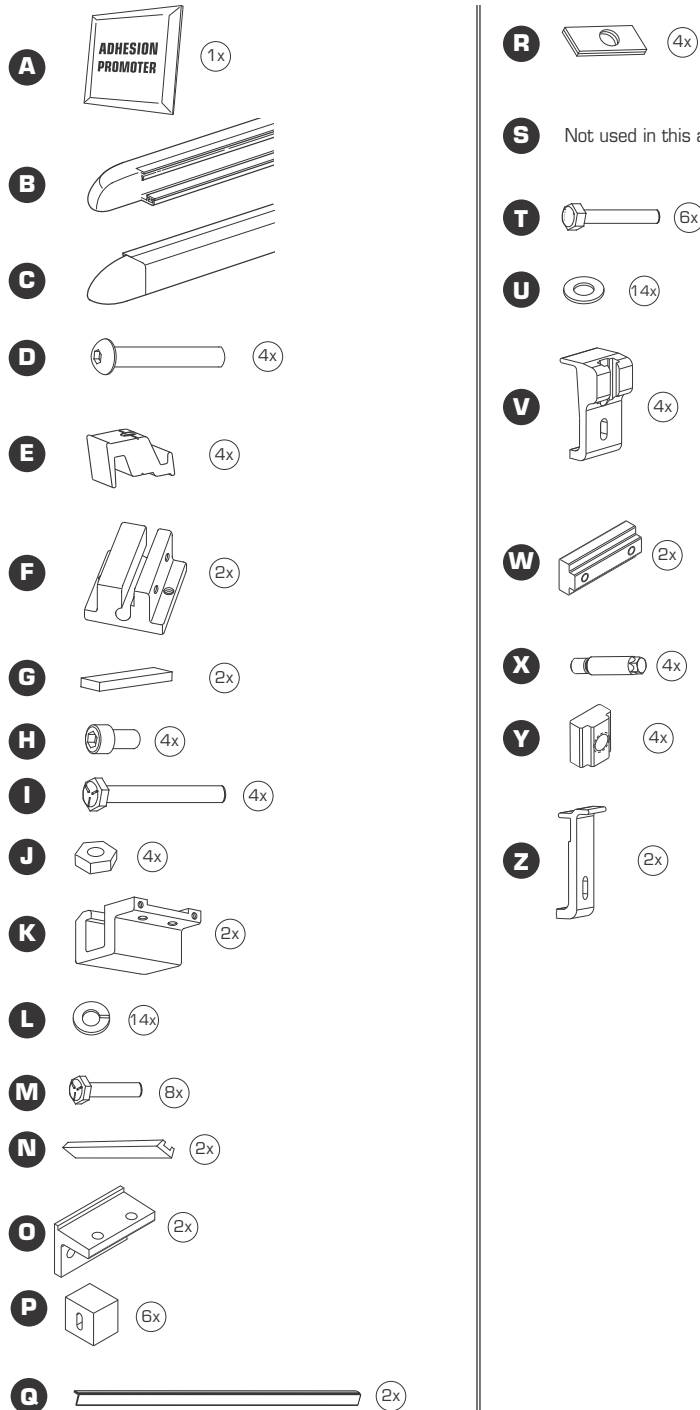


5/16"  
3/8"  
7/16"  
10mm



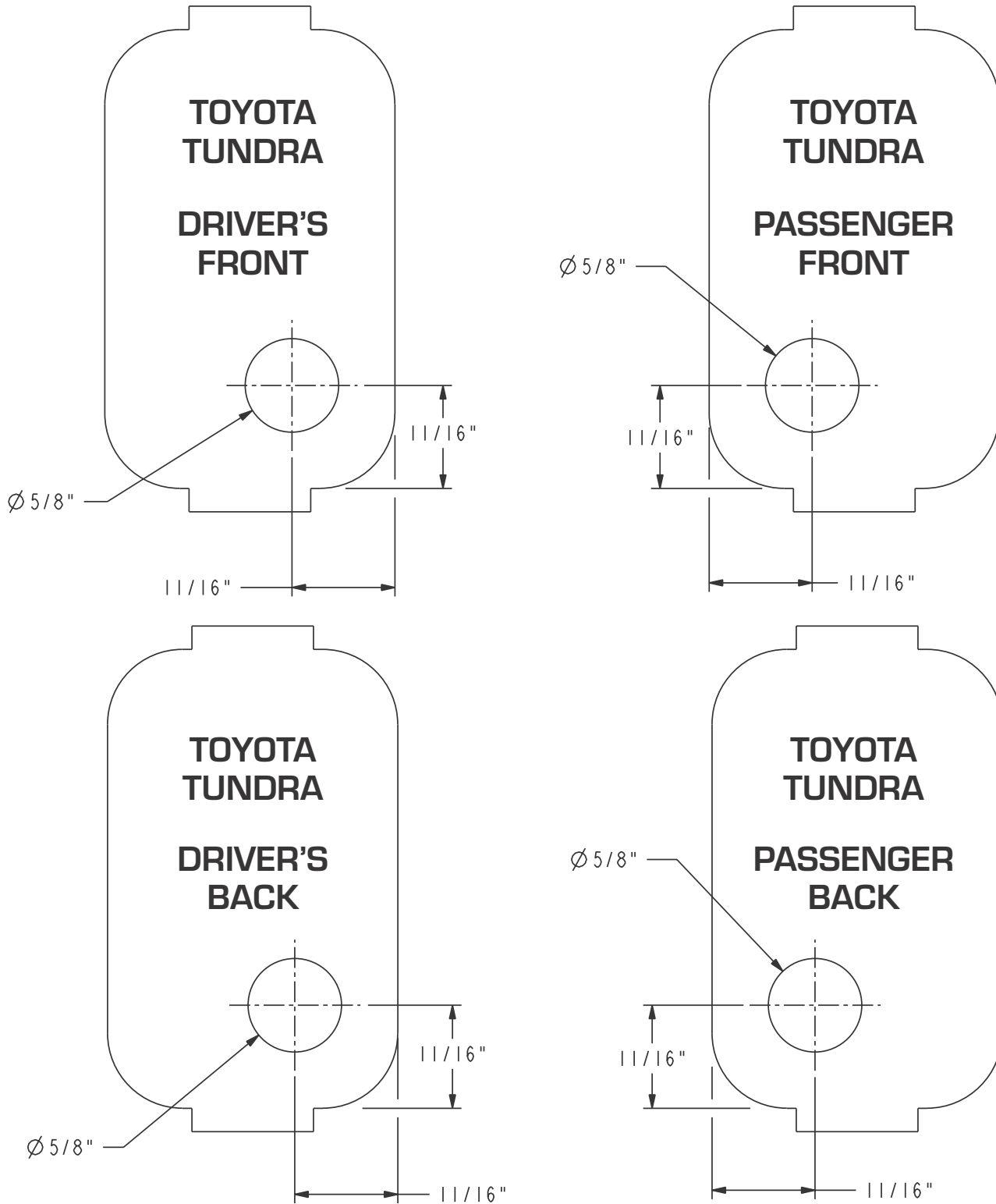
**PARTS LIST:**

A	2095	Adhesion Promoter
B	3682-10L	LH Wind Seal
C	3682-10R	RH Wind Seal
D	3505	1/4-20 x 1 3/4 SHCS
E	3324B	Stake Pocket Nut
F	3410	Hinge Bracket
G	3411	Hinge Bracket Shim
H	3509	#10-32 x 1/2 SHCS
I	3506	1/4-20 x 2 1/4 HHCS
J	3508	1/4-20 Jam Nut
K	3407C	C-Clamp
L	3510	1/4" Lock Washer
M	3504	1/4-20 x 1 HHCS
N	3409SA	C-Clamp Shim
O	3413E	Mounting Bracket
P	3694	Plastic Spacer, 1.00" Sq.
Q	3689-70	Blade Seal
R	3447	Support Washer
S	N/A	Not used in this application
T	3621	M6 x 50mm HHCS, Magni 565
U	3658	Flat Washer, 1/4 USS
V	3669	Striker Clamp Bracket
W	3687A	T-Nut, Mounting Bracket
X	3651	Striker Bolt
Y	3656	T-Nut 5/16-18
Z	3653	Center Latch Clamp



**TEMPLATE: STAKE POCKET TEMPLATES**

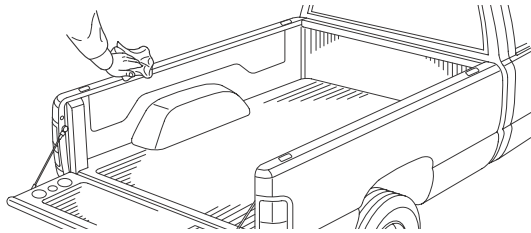
TEMPLATE:  
USE THIS TEMPLATE TO MARK THE EXACT LOCATIONS  
ON THE TUNDRA STAKE POCKET CAPS



**HARD FOLDING TONNEAU COVER INSTALLATION GUIDE**

**PRE-INSTALLATION NOTICE:**

**SURFACE PREPARATION**

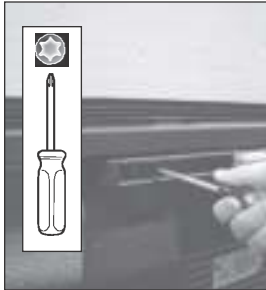


**WIPE DOWN BOTH SIDE RAILS**

Using a clean cloth and 70% Isopropyl Alcohol, wipe down both side rails to ensure a clean surface for installation.

**STEP ONE (A):**

**CLAMP BRACKET INSTALLATION (with TRACK SYSTEM)**



**INSTALL REAR STRIKER CLAMP BRACKET:**

Using a T27 Torx driver remove the rear bolt (closest to the tailgate) that attaches the track system to the truck bed. Insert bolt (T) with washers (L & U) through the slot in the striker clamp bracket (V) and attach the complete assembly into the threaded hole where the bolt was removed.

Apply downward pressure to the striker clamp bracket assembly while tightening the bolt to 70 in. lbs. (7.9 N. m.). Repeat for both driver and passenger side.



**INSERT MOUNTING BRACKET T-NUT:**

Remove the plastic end piece at the front of the track system closest to the cab of the truck. Slide the hinge bracket t-nut (W) into the track as shown at left. Move the t-nut approximately 1/4 of the way towards the rear of the track.

*Note: Be sure to complete this step before installing the front striker clamp bracket. Repeat for both driver and passenger side.*



**INSTALL FRONT STRIKER CLAMP BRACKET:**

Using a T27 Torx driver remove the first bolt (closest to the cab) that attaches the track system to the truck bed. Insert bolt (T) with washers (L & U) through the slot in the striker clamp bracket (V) and attach the complete assembly into the threaded hole where the bolt was removed.

Apply downward pressure to the striker clamp bracket assembly while tightening the bolt to 70 in. lbs. (7.9 N. m.). Repeat for both driver and passenger side.

**HARD FOLDING TONNEAU COVER INSTALLATION GUIDE**

**STEP ONE (B): CLAMP BRACKET INSTALLATION (without TRACK SYSTEM)**

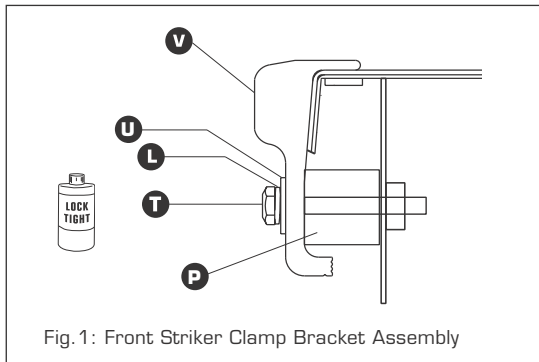
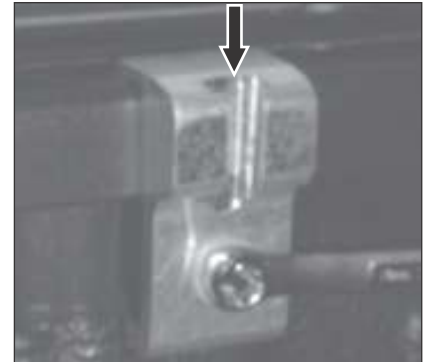
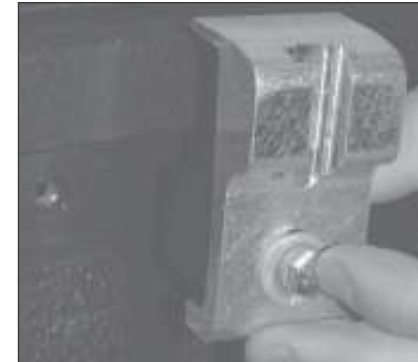


Fig. 1: Front Striker Clamp Bracket Assembly

**INSTALL FRONT STRIKER CLAMP BRACKETS:**

Locate the threaded hole in the box side at the front of the box (closest to the cab).



*Note: The bolt holes are present in the box even if the truck is not equipped with a track system. Insert bolt (T) with washers (L & U) through the slot in the striker clamp bracket (V) and the 1" plastic spacer (P). Attach the complete assembly into the threaded hole.*

Apply downward pressure to the striker clamp bracket assembly while tightening the bolt to 70 in. lbs. (7.9 N. m.). Repeat for both driver and passenger side.

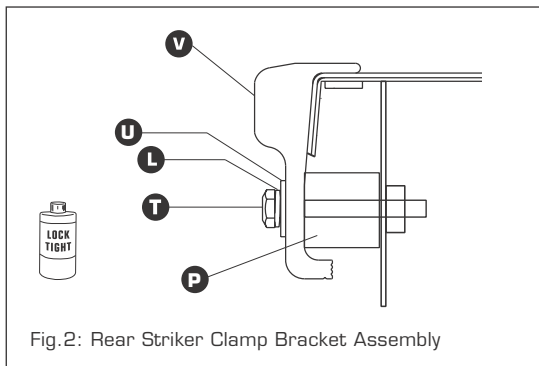


Fig. 2: Rear Striker Clamp Bracket Assembly

**INSTALL REAR STRIKER BRACKET CLAMPS:**

Locate the threaded hole in the box side at the rear of the box (closest to the tailgate).



*Note: The bolt holes are present in the box even if the truck is not equipped with a track system. Insert bolt (T) with washers (L & U) through the slot in the striker clamp bracket (V) and the 1" plastic spacer (P). Attach the complete assembly into the threaded hole.*

Apply downward pressure to the striker clamp bracket assembly while tightening the bolt to 70 in. lbs. (7.9 N. m.). Repeat for both driver and passenger side.

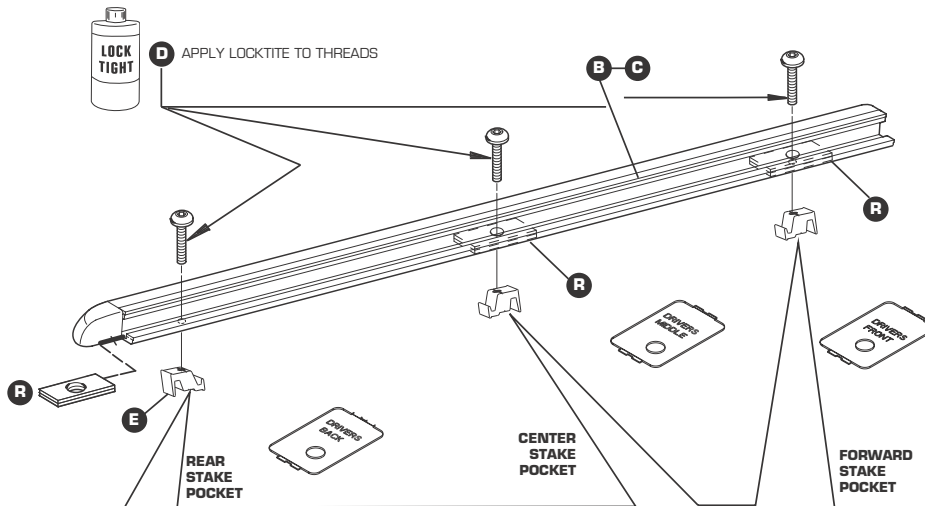
**HARD FOLDING TONNEAU COVER INSTALLATION GUIDE**

**STEP TWO: WIND SEAL (SIDE RAIL) APPLICATION**



**REMOVE PROTECTIVE BACKER FROM WIND SEAL RAILS:**  
Remove the protective film from the foam tape on the passenger and drivers side wind seal rails (B & C).

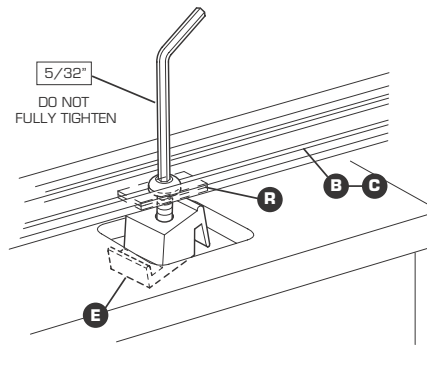
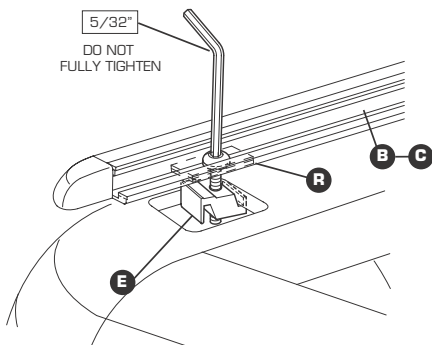
*Note: The foam tape is for surface protection and sealing on this application and is not adhesive.*



Insert the support washers (R) into the wind seal rails as pictured above.



Insert the 1 1/4" socket head bolts (D) through the support washer and through the slotted hole in the wind seal rail. Note: Using your thumb hold the upper and lower rubber seals out of the way as you insert the bolt through the spacer and wind seal rail.



Thread the stake pocket nuts (E) onto the bolts; thread the nut approximately five turns. **Note: The shallow groove in the stake pocket nut should face up toward the bottom of the wind seal rail as shown in the illustrations.**

Note: 5' 8" and 6'6" boxes have 2 stake pockets per side. 8' boxes have 3 stake pockets per side.



**SECURE WIND SEAL RAIL TO VEHICLE**

Align the completed wind seal rail assembly on the top of the box (see diagram above and picture to left) allowing the stake pocket bolts and nuts to drop into their respective stake pockets. Starting at the forward stake pocket on the driver's side of the vehicle make sure the stake pocket nut engages the stake pocket lip and hold a slight upward pressure on the rail.

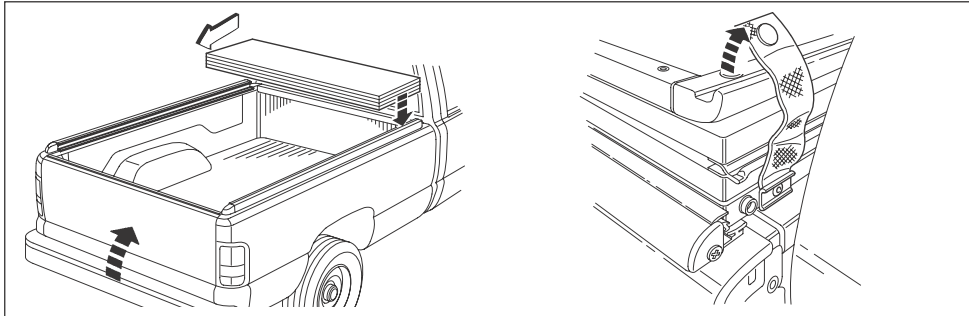
Using a 5/32" allen wrench tighten the socket head bolt until the rail draws down and makes slight contact with the top of the box; only finger tight. Repeat these steps until all of the stake pocket nuts are finger tight on both the drivers and passenger side wind seal rails.



**HARD FOLDING TONNEAU COVER INSTALLATION GUIDE**

**STEP THREE: INITIAL COVER PLACEMENT**

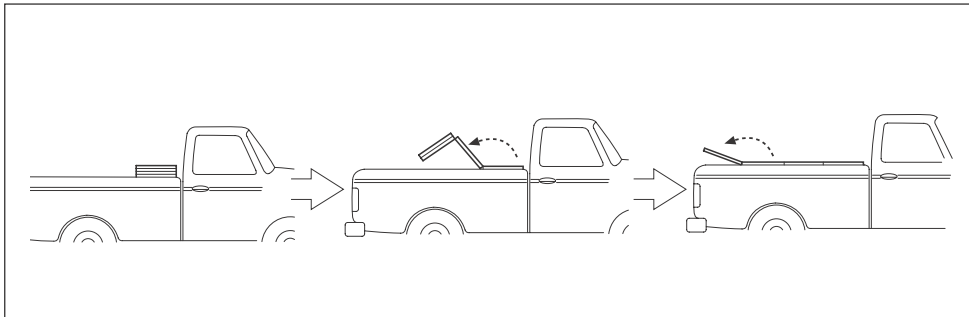
**NOTICE:** Assistance may be required to perform this step.



**PLACE COVER BETWEEN WIND SEAL RAILS:**  
Carefully remove the folded cover from the shipping box and remove packing materials from the corners of the cover.  
*Note: Retain two of the foam corner blocks for Step Six.*

Place the cover between the wind seal rails at the front of the truck bed and release the three snap restraints as shown in the diagram and pictures above.

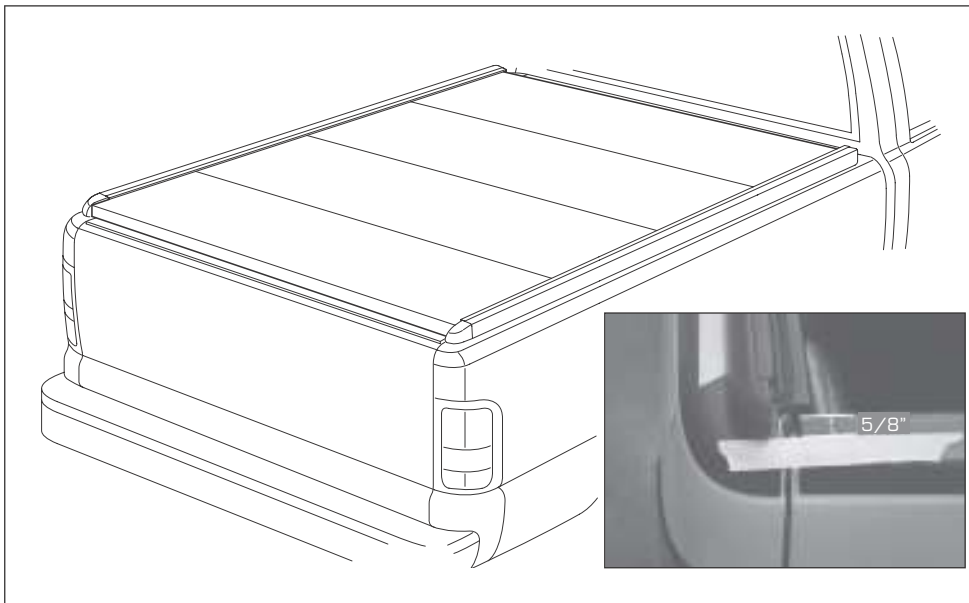
**Pictured:** Detaching snap restraint from cover.



**CAREFULLY UNFOLD COVER:**  
Unfold the cover between the wind seal rails on the truck bed.

It may be necessary to adjust the wind seal rails for the cover to fold out flat and sit between the wind seal rails.

**Pictured:** Unfolding cover between wind seal rails.



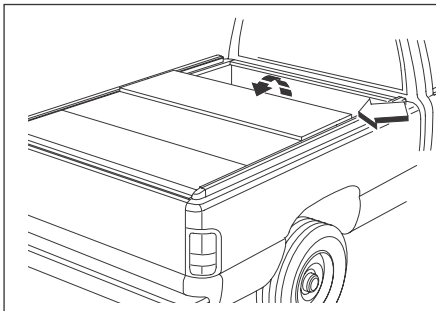
**ADJUST PLACEMENT OF COVER:**  
Adjust the front to rear placement of the cover so that the rear panel of the cover is 5/8" onto the tailgate. See inset picture above.

**Center** the cover **evenly** and **squarely** from side to side on the truck bed.

**ALIGN LH & RH WIND SEAL RAILS TO THE COVER:**  
Make sure the upper rubber seal of the wind seal rails are evenly spaced 1/32" to 1/16" from the top edge of the cover for the entire length of the cover, front to back on both sides. Also align the rear of the wind seal rails with the rear panel of the cover on both sides.

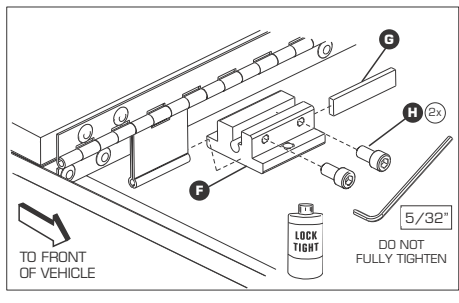
**HARD FOLDING TONNEAU COVER INSTALLATION GUIDE**

**STEP FOUR (A): SECURE COVER TO TRUCK BED (with TRACK SYSTEM)**



**FOLD BACK FRONT PANEL:**

Carefully fold back the front panel.  
*Note: Make sure cover does not move from its centered position on the truck bed.*

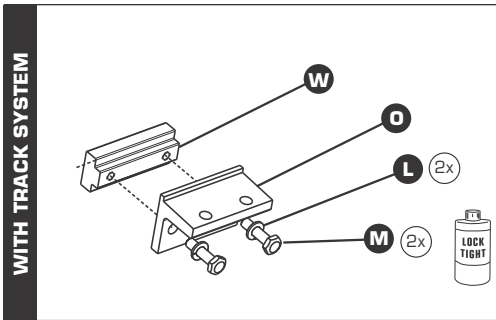


**ASSEMBLE HINGE BRACKET:**

Assemble drivers side and passengers side hinge brackets (F, G & H) finger tight as shown in the diagram and picture above.



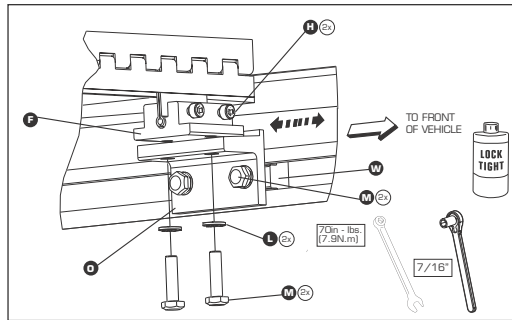
Pictured: Attaching Hinge Bracket to Cover.



WITH TRACK SYSTEM

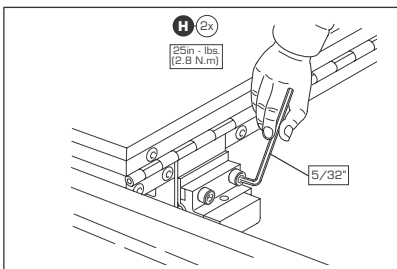
**ASSEMBLE THE HINGE CLAMP MOUNTING BRACKET:**

Using bolt (M) and washer (L) attach the hinge clamp bracket (O) to the Mounting Bracket T-Nut (W) that was installed into the track in step one A. Tighten the bolts finger tight only allowing the assembly to slide in the track.



**HINGE CLAMP ASSEMBLY WITH TRACK SYSTEM:**

Slide the clamp along the track and position it under the hinge bracket (F) as shown above. With the bolt holes aligned insert bolt (M) and washer (L) through the hinge clamp mounting bracket from the bottom as shown above. Tighten the four (part M) fasteners as indicated to 70 in. lbs. (7.9 N. m.). Repeat for both driver and passenger side.



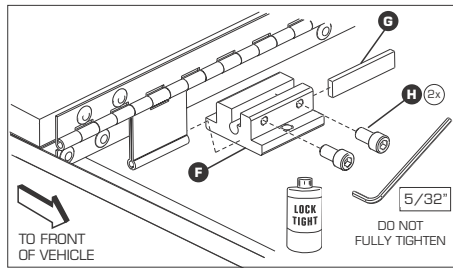
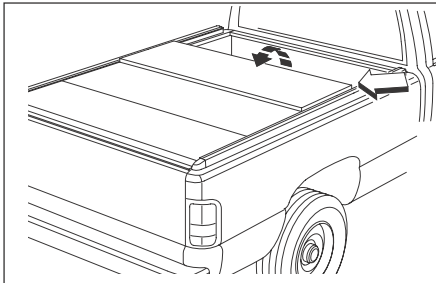
**SECURE HINGE BRACKET BOLTS:**

Tighten hinge bracket set bolts to 25 in. lbs. (2.8 N. m.)  
*Note: Make sure hinge bracket shim (G) is seated to the bottom of the receiver groove in the hinge bracket.*



**HARD FOLDING TONNEAU COVER INSTALLATION GUIDE**

**STEP FOUR (B): SECURE COVER TO TRUCK BED (without TRACK SYSTEM)**



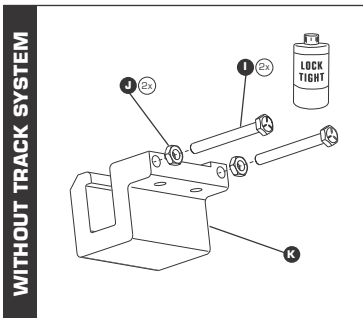
**FOLD BACK FRONT PANEL:**

Carefully fold back the front panel.  
*Note: Make sure cover does not move from its centered position on the truck bed.*

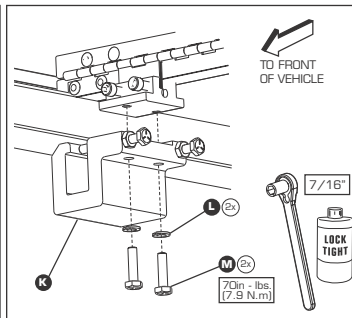
**ASSEMBLE HINGE BRACKET:**

Assemble drivers side and passengers side hinge brackets (F, G & H) finger tight as shown in the diagram and picture above.

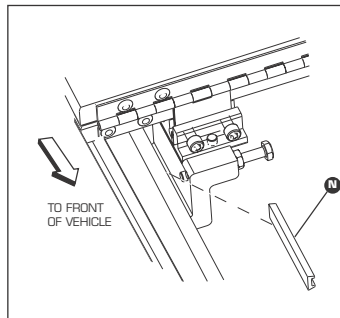
**Pictured:** Attaching Hinge Bracket to Cover.



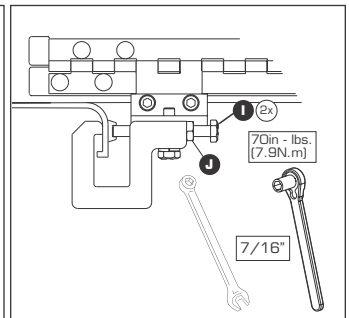
**PREPARE C-CLAMP ASSEMBLY:**  
Assemble drivers side and passenger side C-Clamp units (I, J, & K). Thread the jam nut (J) all the way onto bolt (I) and thread them into C-Clamp (K) as shown in diagram above.



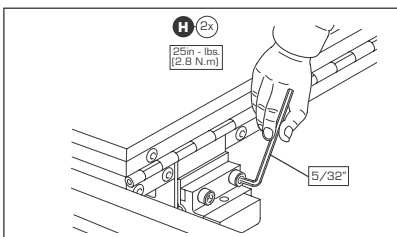
**ATTACH C-CLAMP TO HINGE BRACKET:**  
Using bolts (M) attach the C-Clamp units to the hinge brackets and tighten the bolts to 70 in. lbs. (7.9 N. m.).



**INSERT C-CLAMP SHIM:**  
Insert the C-Clamp shims (N) as shown in the diagrams above and thread the C-Clamp bolts in finger tight until the bolt contacts the center groove in the shim.  
*Note: Make sure both of the C-Clamp bolts contact the shim and that the C-Clamp assembly and shim are parallel with the top of the truck bed. Avoid any downward pressure on the C-Clamp assemblies as they are tightened.*



**TIGHTEN BOLTS AND JAM NUTS:**  
Check the shim alignment and tighten the bolts to 70 in. lbs. (7.9 N. m) and then tighten the jam nuts.



**SECURE HINGE BRACKET BOLTS:**  
Tighten hinge bracket set bolts to 25 in. lbs. (2.8 N. m.)  
*Note: Make sure hinge bracket shim (G) is seated to the bottom of the receiver groove in the hinge bracket.*

**STEP FIVE: INSERT STRIKER BOLTS**



**INSERT AND SECURE STRIKER BOLTS:**  
Pre-assemble the striker bolt with 2 washers and thread it into the T-nut.



With the front and rear panels still in their fully open positions, install the striker bolts, T-nuts and washers (X, Y & U). Slide the T-nut assembly into the T-slot in the striker clamp bracket as shown in the picture above.

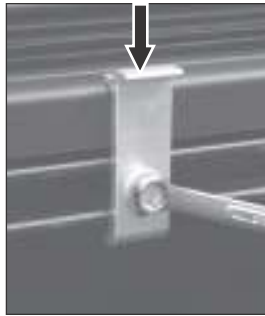
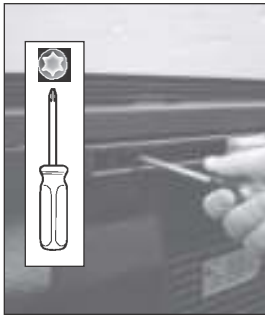


Tighten the striker bolt finger tight and repeat this step for all four of the striker clamp brackets.

**HARD FOLDING TONNEAU COVER INSTALLATION GUIDE**

**STEP SIX (A):**

**CENTER CLAMP BRACKET INSTALLATION (with TRACK SYSTEM)**



**INSTALL CENTER CLAMP BRACKETS:**

Open the rear panel of the cover. Locate the track attaching bolt that is directly in line with the center latch assembly on the bottom side of the third panel of the cover. Using a T27 Torx driver remove the bolt that attaches the track system to the truck bed from that position. Insert bolt (T) with washers (L & U) through the slot in the center latch clamp (Z) and attach the complete assembly into the threaded hole where the bolt was removed.

Apply downward pressure to the center latch clamp assembly while tightening the bolt to 70 in. lbs. (7.9 N. m.). Repeat for both driver and passenger side.



**IMPORTANT NOTE:**

**ALWAYS FULLY OPEN THE REAR PANEL FIRST AND CLOSE THE REAR PANEL LAST.**

To insure proper operation of the center latch mechanism always open and fold the rear panel of the cover to its fully open position before starting any folding motion of the second or third panels, continue the opening sequence by folding the second and third panel to the fully open position and secure the docking straps. To close the cover, reverse these steps in the same order, making sure to close the rear panel last.

**STEP SIX (B):**

**CENTER CLAMP BRACKET INSTALLATION (without TRACK SYSTEM)**



**INSTALL CENTER CLAMP BRACKETS:**

Open the rear panel of the cover. Locate the threaded hole in the box side that is directly in line with the center latch assembly on the bottom side of the third panel of the cover.

**Note: The bolt holes are present in the box even if the truck is not equipped with a track system.**

Insert bolt (T) with washers (L & U) through the slot in the center latch clamp (Z) and the 1" plastic spacer (P). Attach the complete assembly into the threaded hole.

Apply downward pressure to the striker clamp bracket assembly while tightening the bolt to 70 in. lbs. (7.9 N. m.). Repeat for both driver and passenger side.



**IMPORTANT NOTE:**

**ALWAYS FULLY OPEN THE REAR PANEL FIRST AND CLOSE THE REAR PANEL LAST.**

To insure proper operation of the center latch mechanism always open and fold the rear panel of the cover to its fully open position before starting any folding motion of the second or third panels, continue the opening sequence by folding the second and third panel to the fully open position and secure the docking straps. To close the cover, reverse these steps in the same order, making sure to close the rear panel last.

**HARD FOLDING TONNEAU COVER INSTALLATION GUIDE**

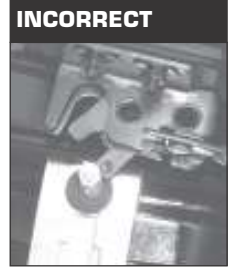
**STEP SIX: ALIGN & ADJUST ROTARY LATCHES**



**OPEN POSITION**



**CORRECT**



**INCORRECT**

Open the tailgate of the truck. Make sure the rotary latches are in their open position on both panels.

Gently lower either the front or the rear panel toward its closed position making careful note of the alignment of the striker bolts on the truck and the U-shaped striker bolt receiver in the rotary latch on the cover.

The U-shaped groove on the latch should be centered directly over the striker bolt.



If the striker bolt is not centered adjust it as follows. Loosen the 3/8" nuts on the latch assembly to slide the latch fore or aft until it is centered over the striker bolt on the truck.



*Note: (If the rotary latch can not be properly adjusted check the position of the striker clamp assemblies. Additional adjustment is available by loosening and repositioning the striker clamp bracket assembly)*



Repeat until all four latches are centered over their respective striker bolts.



Close the tailgate of the truck and return the cover to its fully closed position on both the front and rear panels. Re-check the spacing and alignment of the wind seal rails with the cover.



Open the front and rear panel to expose the wind seal rail bolts and using the 5/32" allen wrench tighten the wind seal rails to 70 in. lbs. (7.9 N. m.)



Return the cover to the closed position to make the vertical adjustment of the striker bolts. Use the 5/16" wrench to adjust the striker bolt height as shown in the picture above.



With the front and rear panels in their closed positions the top of the cover should be adjusted flush with the top of wind seal rails. Tighten the four striker bolts to 70 in. lbs. (7.9 N. m.).



To close and latch the front or rear panels simply use a smooth, firm downward pressure on the panel. (Start the downward closing motion approximately 12 inches before the panel reaches its closed position)



**Note: Striker bolt setting may require readjustment after blade seals are installed in Step Ten.**

**HARD FOLDING TONNEAU COVER INSTALLATION GUIDE**

**STEP SEVEN: ADJUST LATCH TIMING**



Hold the rear panel in an open position at approximately a 45 degree angle with one hand. With your other hand manually close both the driver and passenger side rotary latches.



With the cover in this suspended position operate the latch release handle. Both latches should open at the same time about half way through the travel of the latch release handle. If both latches release simultaneously no further adjustment is required, and you may tighten the cable end jam nuts as pictured below.



If any adjustment is required simply adjust the cable length at either latch as shown.

Turning the cable end nut clockwise will make that latch release sooner; turning the cable end nut counter-clockwise will make that latch release later. When adjustments are complete, you may tighten the cable end jam nuts as pictured to the right.



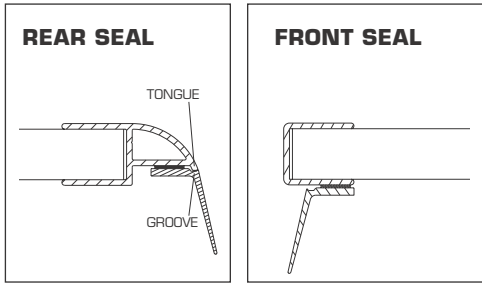
Using two small adjustable wrenches tighten the cable end jam nuts.

Repeat this adjustment sequence for the latches on the front panel.

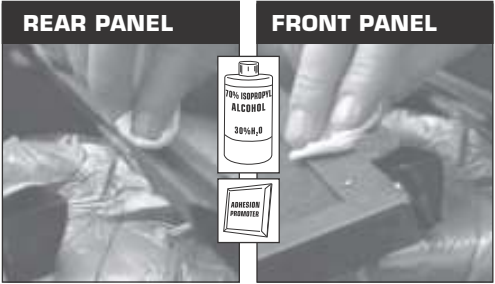


**HARD FOLDING TONNEAU COVER INSTALLATION GUIDE**

**STEP EIGHT: ATTACH FRONT & REAR BLADE SEALS**



SURFACE TEMP  
**70°F**  
OR ABOVE



**Note:** Using 2 foam corner packing blocks support the open front and rear panels of the cover as shown.

Surface temperatures below 70 degrees F will adversely effect the bond strength of the seal adhesive.

With the front and rear panels open and supported on the foam packing blocks; clean the seal surfaces with 70% isopropyl alcohol.

**Note:** Surface must be free of dust, dirt, oil and moisture. Make sure to clean the seal mating surfaces with either isopropyl or denatured alcohol as these solvents leave no residue that could effect the bond strength.

Apply the adhesion promoter (A) to both panels as shown in fig. 1. Allow the adhesion promoter to dry to the touch before starting the blade seal installation.

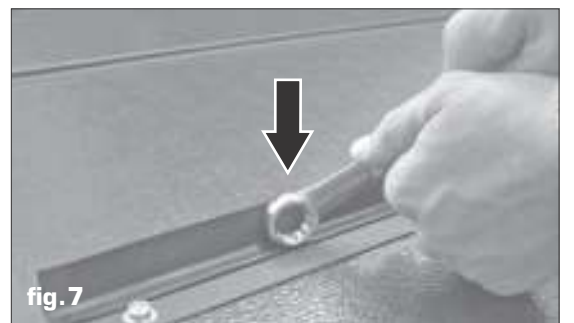
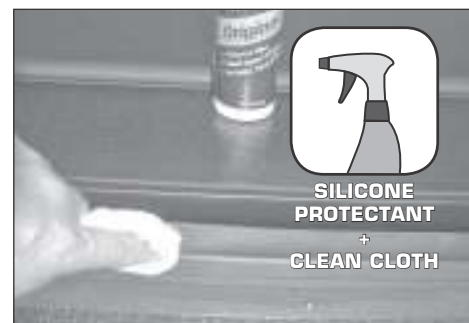


**ATTACH REAR BLADE SEAL**  
Expose a small section of the adhesive tape (4"-6") on the blade seal (Q) as shown in fig. 2. Align the seal with the end of the panel making sure the tongue on the panel and the groove in the seal fit together as shown in the line drawing (far left).

Work across the panel exposing small sections of the adhesive and aligning the seal.  
**Note:** Do not stretch the seal as it is being placed on the cover.

**ATTACH FRONT BLADE SEAL**  
When you reach the end of the panel trim the excess seal material flush with the end of the panel with the razor knife. Firmly press the seal in place across its entire length.

Expose a small section of the adhesive tape (4"-6") on the blade seal (Q) and align the seal with the back edge of the channel starting 1/2" from the outside edge of the cover as shown in fig. 5.



Work across the panel exposing small sections of the adhesive and aligning the seal. When you reach the end of the panel trim the excess seal material 1/2" from the outside edge of the cover with the razor knife as shown above.

**APPLY PROTECTANT TO UNDERSIDE OF BLADE SEALS USING A CLEAN CLOTH:**  
With the seals completely installed apply a light coat of Armor All® or a similar silicone protectant to the underside of both the front and rear blade seals using a clean, dry cloth.

To ensure proper transfer of the adhesive use the box end of a combination wrench or a similar tool to apply concentrated pressure to the blade seal as shown in fig. 7. Start at one end of the seal and work the tool across the panel applying firm even pressure. Repeat for both the front and the rear seal.

**Note:** Closing the cover requires a smooth, firm downward pressure on the panel. Due to the nature of the rubber blade seals, it will initially take extra closing pressure until the memory in the seal material conforms to the seals final shape in the closed position.

**HARD FOLDING TONNEAU COVER OPERATIONAL INSTRUCTIONS**



To open the cover lift the latch release handle and open the rear panel to the fully open position.



To insure proper operation of the center latch mechanism always open and fold the rear panel of the cover to its fully open position before starting any folding motion of the second or third panels.



Continue the opening sequence by folding the second and third panel to the fully open position.



With the cover in the fully open and stacked position secure all three docking straps. It is important to secure the docking straps at all times when the cover is in the fully open position.



To close the cover, reverse these steps in the same order, making sure to close the rear panel last.

**Note: Only operate the vehicle with the cover in the closed and latched position or the fully open position with the docking straps securely fastened. Operation of the vehicle with the cover in partially opened positions can cause severe damage to the cover and possibly the vehicle.**