



# HARD FOLDING TONNEAU COVER INSTALLATION GUIDE

<b>3641PP</b> MAR/2008	GUIDE FOR FOLD-A-COVER®: NS6559, NS6560	TRUCK MODEL(S): <b>2005-2008 NISSAN FRONTIER</b>
---------------------------	--	--

## NOTES TO INSTALLER:

- Install Parts as shown in illustrations.
- Temperature should be no lower than 70° F when installing.
- Be sure the truck is setting on a level surface.
- Apply a dab of lock tight to each fastener before use.
- **Some trimming of bed liner may be required for proper fit and function.**
- Make sure the end user receives the warranty registration envelope, keys, and the operation instructions.



\* Truck model shown in images may or may not represent the truck referred to in this installation guide.

## NOTES TO CUSTOMER:

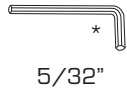
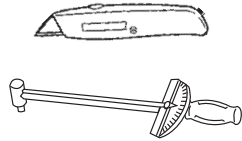
- For proper use and maintenance, refer to the operation and care label located on the underside of the rearmost panel on cover (driver's side).



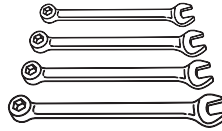
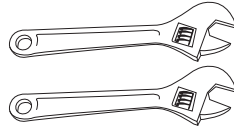
Fold-a-Cover® is a division of Steffens Enterprises, Inc.  
4045 Karona Ct. Caledonia, MI 49316  
phone: (616) 656.6886 fax: (616) 656.3771

**HARD FOLDING TONNEAU COVER INSTALLATION GUIDE**

**RECOMMENDED TOOLS:**



\*Ball end allen wrench recommended



5/16"  
3/8"  
7/16"  
13mm



13mm  
7/16"



LOCK  
TIGHT



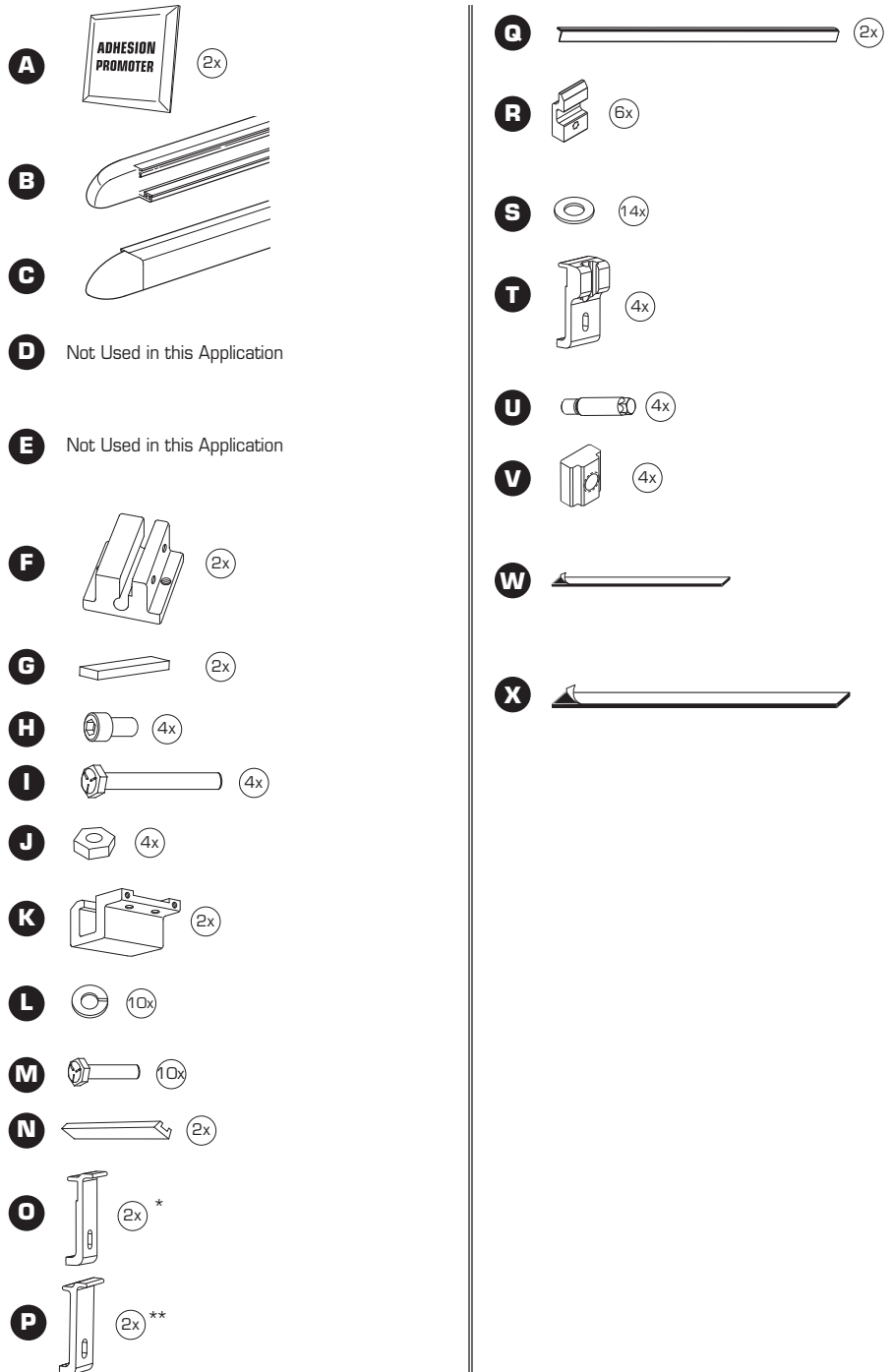
70% ISOPROPYL  
ALCOHOL  
30% H<sub>2</sub>O

**PARTS LIST:**

A	2095	Adhesion Promoter
B	3682-10L	LH Wind Seal
C	3682-10R	RH Wind Seal
D	N/A	Not used in this application
E	N/A	Not used in this application
F	3496	Tall Hinge Bracket
G	3411	Hinge Bracket Shim
H	3509	#10-32 x 1/2 SHCS
I	3506	1/4-20 x 2 1/4 HHCS
J	3508	1/4-20 Jam Nut
K	3407C	C-Clamp
L	3510	1/4" Lock Washer
M	3504	1/4-20 x 1 HHCS
N	3409SA	C-Clamp Shim
O	3653*	Center Latch Clamp, Style B
P	3661**	Center Latch Clamp, Style D
Q	3689-70	Blade Seal
R	3672B	Inner Clamp, Style F2
S	3658	Flat Washer, 1/4 USS
T	3652	Striker Clamp, Style B
U	3651	Striker Bolt
V	3656	T-Nut 5/16-18
W	3614	Foam Tape, 1.00" x 6"
X	2092	Foam Tape, 1.50" x 12"

\* For NS6559 only

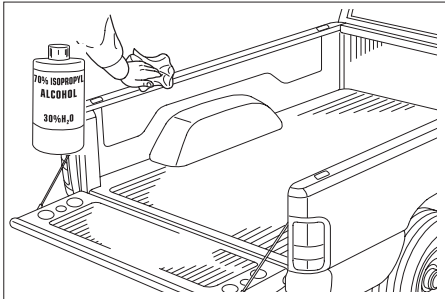
\*\* For NS6560 only



**HARD FOLDING TONNEAU COVER INSTALLATION GUIDE**

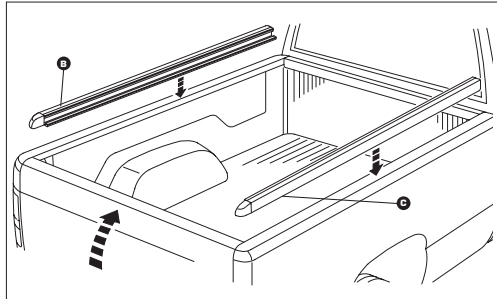
**STEP ONE: WIND SEAL (SIDE RAIL) APPLICATION**

**NOTICE:** Assistance may be required to perform this step.



**WIPE DOWN BOTH SIDE RAILS**

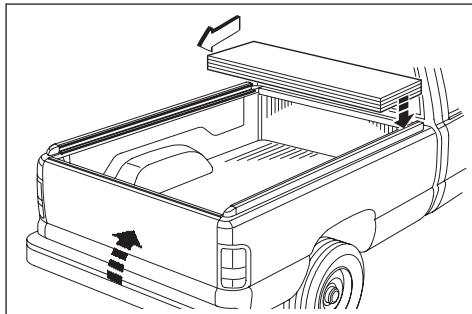
Using a clean cloth and 70% Isopropyl Alcohol, wipe down both side rails to ensure a clean surface for installation.



**POSITION BOTH WIND SEAL RAILS**

Position Right and Left Wind Seal Rails as shown. Center the wind seal rails evenly onto the truck box.

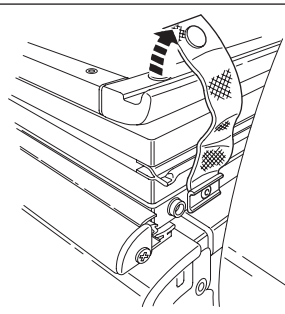
**NOTE: DO NOT REMOVE BACKING MATERIAL FROM THE UNDERSIDE OF THE WIND SEAL RAILS AT THIS TIME.**



**PLACE COVER BETWEEN WIND SEAL RAILS:**

Carefully remove the folded cover from the shipping box and remove packing materials from the corners of the cover.

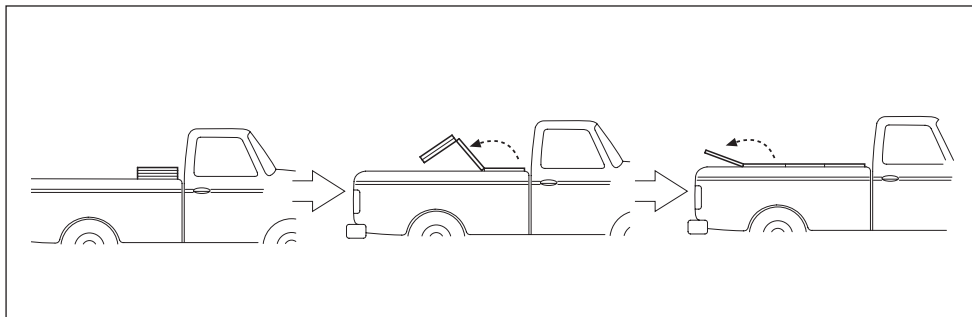
*Note: Retain two of the foam corner blocks for Step Nine.*



Place the cover between the wind seal rails at the front of the truck bed and release the three snap restraints as shown in the diagram and pictures above.



**Pictured:** Detaching snap restraint from cover.



**CAREFULLY UNFOLD COVER:**

Unfold the cover between the installed wind seal rails on the truck bed.

It may be necessary to adjust the wind seal rails for the cover to fold out flat and sit between the wind seal rails.

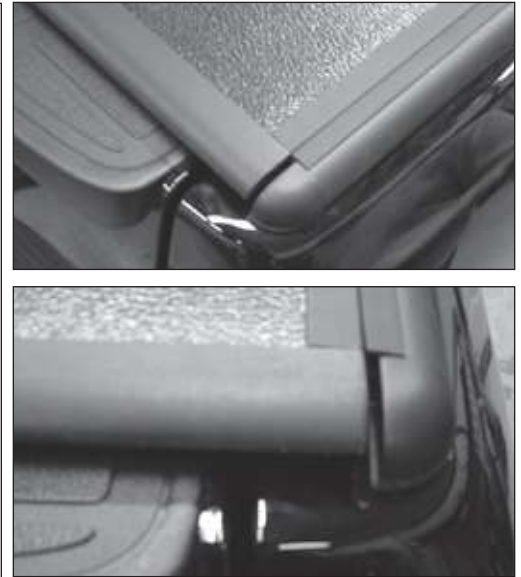
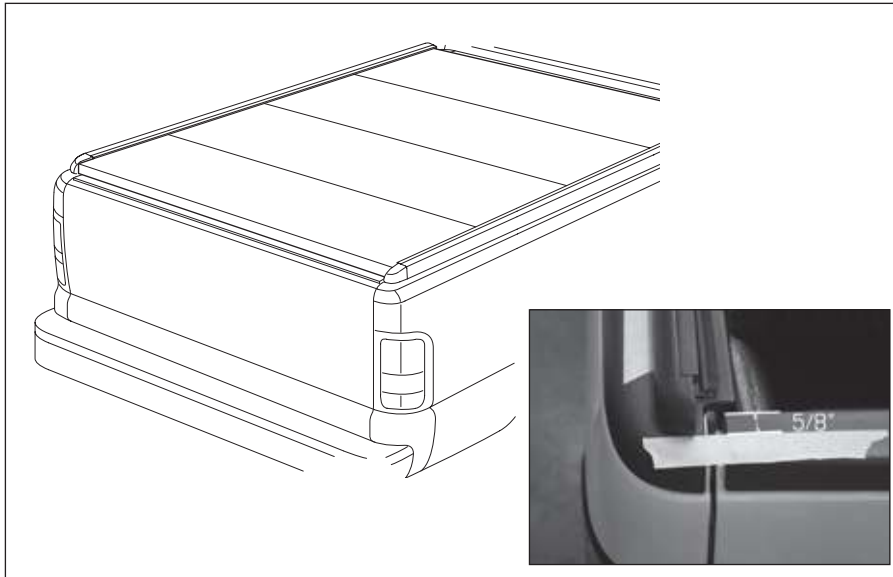


**Pictured:** Unfolding cover between wind seal rails.

**HARD FOLDING TONNEAU COVER INSTALLATION GUIDE**

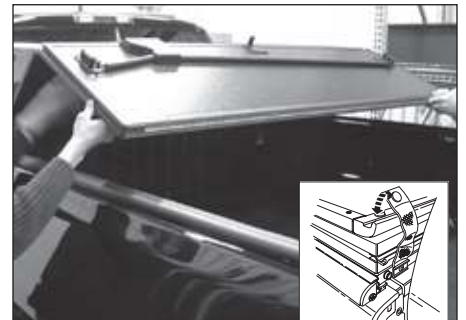
**STEP ONE: WIND SEAL (SIDE RAIL) APPLICATION**

**NOTICE:** Assistance may be required to perform this step.



**ADJUST PLACEMENT OF COVER:**  
Adjust the front to rear placement of the cover so that the rear panel of the cover is 5/8" onto the tailgate. See inset picture above.

**ALIGN LH & RH WIND SEAL RAILS TO THE COVER:**  
Make sure the upper rubber seal of the wind seal rails are evenly spaced 1/32" to 1/16" from the top edge of the cover for the entire length of the cover, front to back on both sides. Also align the rear of the wind seal rails with the rear panel of the cover on both sides.



With the cover assembly and the wind seal rails (B & C) placed and adjusted use masking tape to mark the exact position of the wind seal rails on the bed caps as pictured above.

**Note:** Mark the outside edge of the wind seal rails in at least four (4) positions along each side of bed as well as at the front and rear of the of the wind seal as shown above. The masking tape will be your guide for the correct placement of the wind seal rails as you install them.

**CAREFULLY FOLD COVER:**  
Carefully fold and return the cover to its stacked or open position. Fasten all of the docking straps and remove the cover from the truck bed. Return the cover assembly to the shipping carton while the wind seal rails are installed.

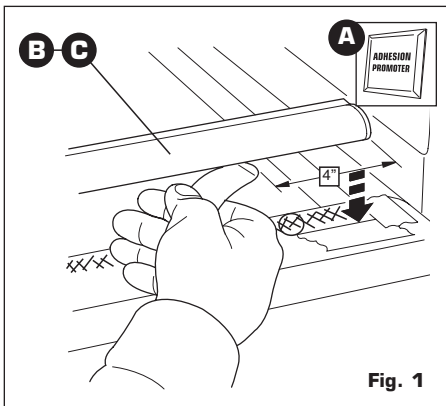


Fig. 1

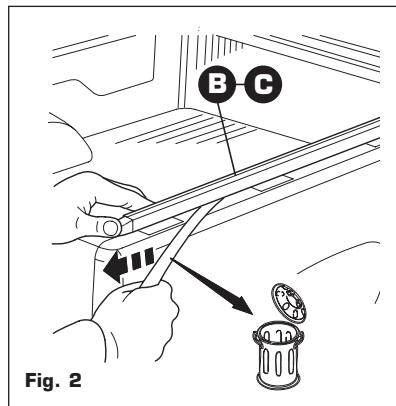


Fig. 2

**FINAL INSTALLATION OF WIND SEAL RAILS:**  
With the cover removed, set the wind seal rails aside and apply the adhesion promoter (A) to the top of the bed rails using the masking tape as a guide. Allow the adhesion promoter to dry to the touch before installing the wind seal rails. (One packet of adhesion promoter is adequate for both sides)

Expose approximately 4" of the adhesive by removing the red protective backer from the bottom of the wind seal rail (B or C) as shown in fig. 1. Using the masking tape as a guide; set the front end of the wind seal rail in place. Carefully remove the balance of the red protective backer as you work toward the rear of the vehicle as shown in fig. 2.

**Note:** Rails will stick to the truck immediately. Use care in locating properly.

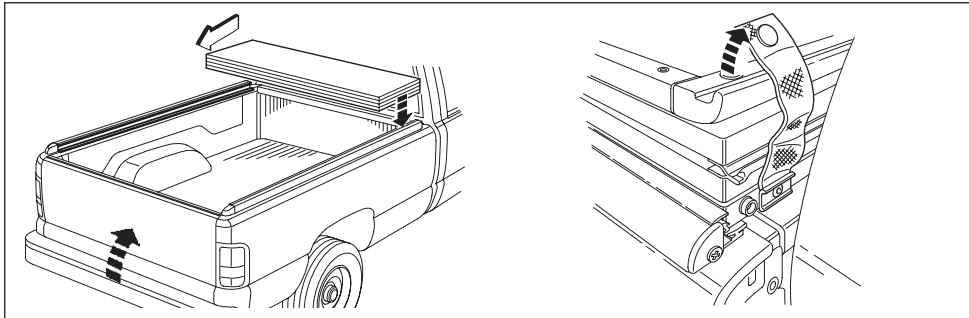
**NOTE:** Use adhesion promoter *ONLY* on models with plastic bed rail caps.

**HARD FOLDING TONNEAU COVER INSTALLATION GUIDE**

**STEP TWO:**

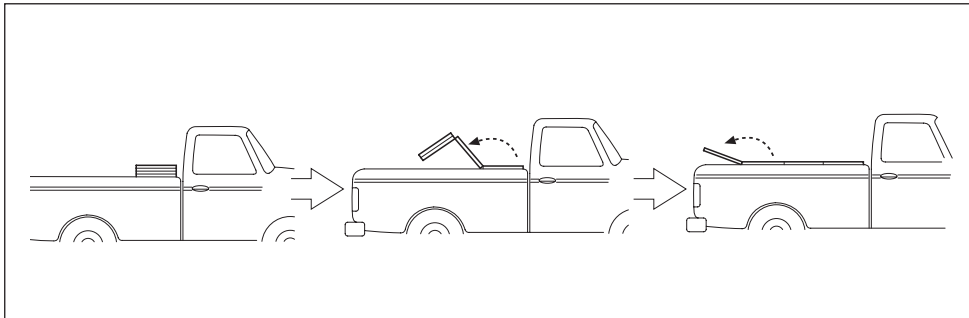
**COVER PLACEMENT**

**NOTICE:** Assistance may be required to perform this step.



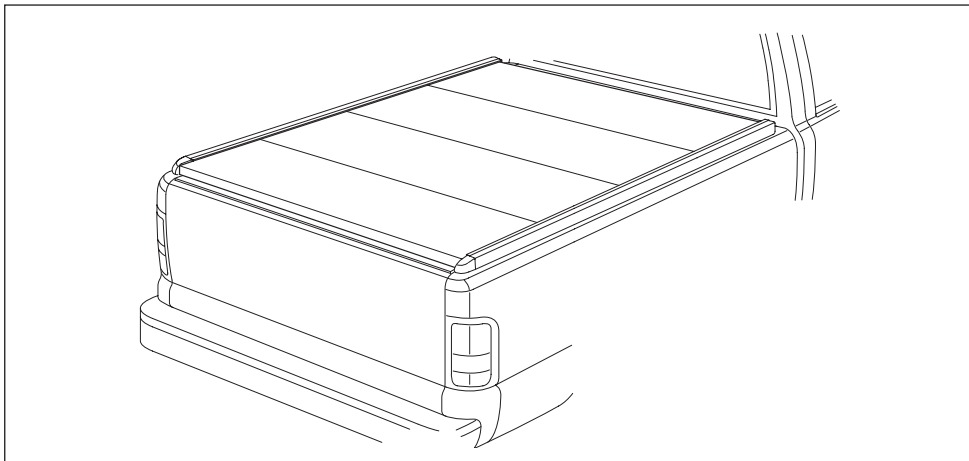
**PLACE COVER BETWEEN WIND SEAL RAILS:**  
Carefully replace the folded cover between the installed wind seal rails. Release the three docking straps and unfold the cover between the installed wind seal rails.

**Pictured:** Detaching snap restraint from cover.



**CAREFULLY UNFOLD COVER:**  
Unfold the cover between the installed wind seal rails on the truck bed.

**Pictured:** Unfolding cover between wind seal rails.

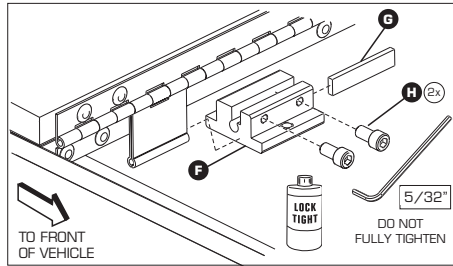
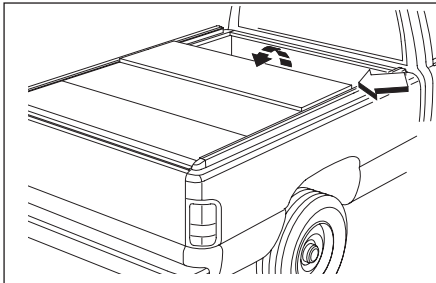


Adjust the unfolded cover to the installed wind seal rails making sure that all of the spacing and alignment from Step One were maintained.



**HARD FOLDING TONNEAU COVER INSTALLATION GUIDE**

**STEP THREE: SECURE COVER TO TRUCK BED**



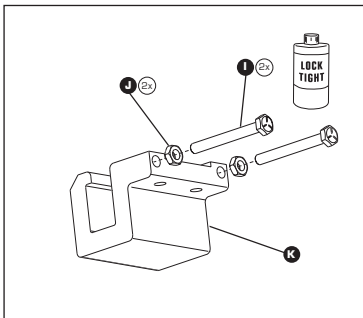
**FOLD BACK FRONT PANEL:**

Carefully fold back the front panel.  
*Note: Make sure cover does not move from its centered position on the truck bed.*

**ASSEMBLE HINGE BRACKET:**

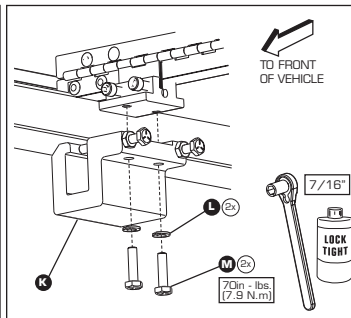
Assemble drivers side and passengers side hinge brackets (F, G & H) finger tight as shown in the diagram and picture above.

**Pictured:** Attaching Hinge Bracket to Cover.



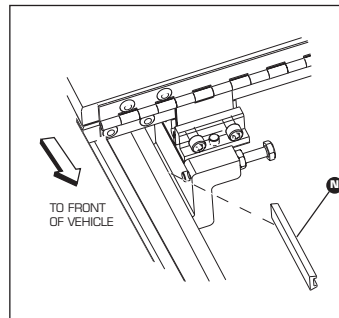
**PREPARE C-CLAMP ASSEMBLY:**

Assemble drivers side and passenger side C-Clamp units (I, J, & K). Thread the jam nut (J) all the way onto bolt (I) and thread them into C-Clamp (K) as shown in diagram above.



**ATTACH C-CLAMP TO HINGE BRACKET:**

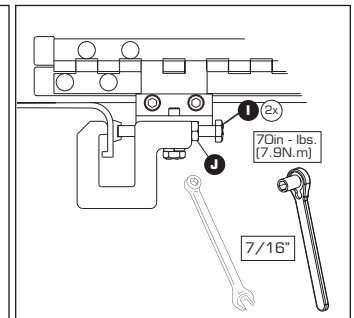
Using bolts (M) attach the C-Clamp units to the hinge brackets and tighten the bolts to 70 in. lbs. (7.9 N. m.).



**INSERT C-CLAMP SHIM:**

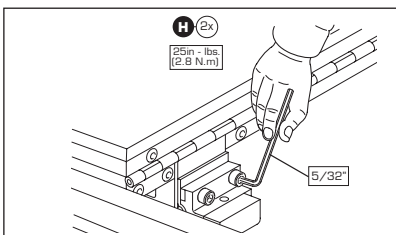
Insert the C-Clamp shims (N) as shown in the diagrams above and thread the C-Clamp bolts in finger tight until the bolt contacts the center groove in the shim.

*Note: Make sure both of the C-Clamp bolts contact the shim and that the C-Clamp assembly and shim are parallel with the top of the truck bed. Avoid any downward pressure on the C-Clamp assemblies as they are tightened.*



**TIGHTEN BOLTS AND JAM NUTS:**

Check the shim alignment and tighten the bolts to 70 in. lbs. (7.9 N. m) and then tighten the jam nuts.

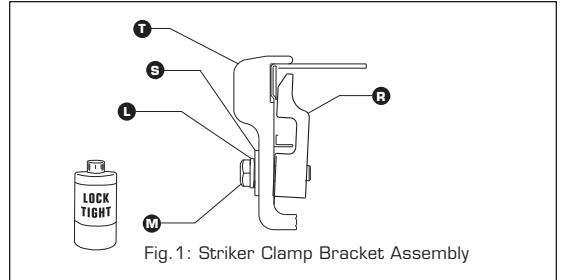
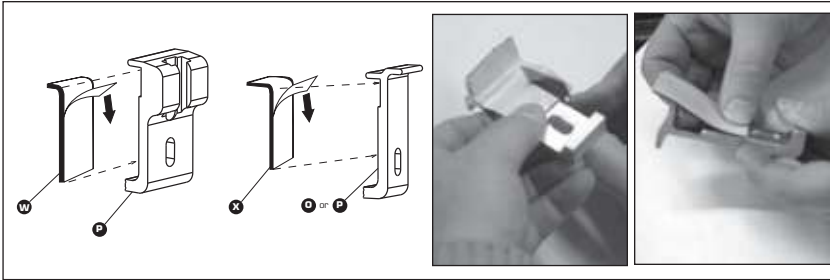


**SECURE HINGE BRACKET BOLTS:**

Tighten hinge bracket set bolts to 25 in. lbs. (2.8 N. m.)  
*Note: Make sure hinge bracket shim (G) is seated to the bottom of the receiver groove in the hinge bracket.*

**HARD FOLDING TONNEAU COVER INSTALLATION GUIDE**

**STEP FOUR: STRIKER CLAMP BRACKET INSTALLATION**

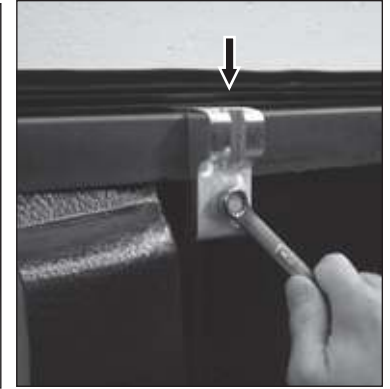


**AFFIX FOAM TAPE TO CLAMPS\***

*\*Note: Skip to the next step if the truck is equipped with OEM plastic bed caps.*  
Cut the foam tape (W & X) into 3" inch lengths. Remove the backer from the tape exposing the adhesive and carefully place the tape on the inside surface of the striker clamp brackets (T) and center latch brackets (O or P) starting just above the slot in the clamp. Allow the tape to follow inner contour of clamps to the top of the clamp as pictured. Trim excess tape with the razor knife (foam tape protects the painted surface of the vehicle).

**PRE-ASSEMBLE THE STRIKER CLAMP BRACKET ASSEMBLIES:**

Pre-assemble the striker clamp bracket (T) and the inner clamp brackets (R) with bolt and washers (M, L & S). Insert the bolt and washers through the slot in the striker clamp bracket; threading the bolt into the inner clamp bracket as shown. Start the bolt only a few threads. Assemble the four (4) striker clamp bracket assemblies.



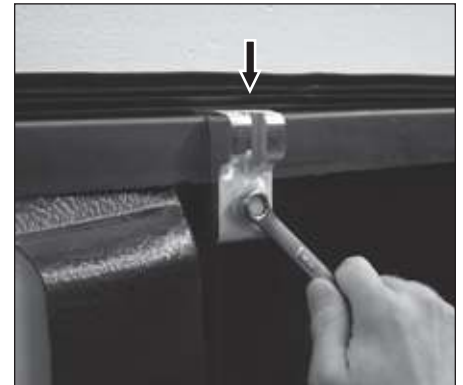
**PLACE THE FRONT STRIKER CLAMP BRACKETS:**

Move the striker clamp bracket assembly into place allowing the inner clamp bracket to slip behind the vertical edge of the inner box rail; while the outer clamp rests on the top and outside of the vertical edge of the inner box rail as shown above. Tighten the assembly finger tight at this time.

**POSITION AND INSTALL FRONT STRIKER CLAMP BRACKET ASSEMBLIES:**

Using a tape measure locate the position of the front striker clamp bracket assemblies approximately 2 1/4" from the front of the box to the front edge of the striker clamp as shown above. This dimension is the same for both the 5' box and the 6' box.

Using a 7/16" wrench, apply downward pressure to the clamp assembly while tightening the striker clamp bracket assemblies hand tight. It may be necessary to reposition these brackets during step seven as the rotary latches are aligned and adjusted. Repeat for both front clamp assemblies.



**PLACE THE REAR STRIKER CLAMP BRACKETS:**

Move the striker clamp bracket assembly into place allowing the inner clamp bracket to slip behind the vertical edge of the inner box rail; while the outer clamp rests on the top and outside of the vertical edge of the inner box rail as shown above. Tighten the assembly finger tight at this time.

**POSITION AND INSTALL REAR STRIKER CLAMP BRACKET ASSEMBLIES:**

Using a tape measure locate the position of the rear striker clamp bracket assemblies approximately 5 3/8" from the tailgate to the rear edge of the striker clamp for the 5' box and approximately 4 5/8" from the tailgate to the rear edge of the striker clamp for the 6' box as shown above.

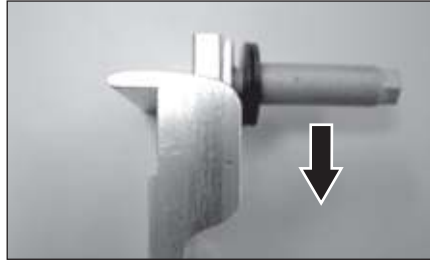
Using a 7/16" wrench, apply downward pressure to the clamp assembly while tightening the striker clamp bracket assemblies hand tight. It may be necessary to reposition these brackets during step seven as the rotary latches are aligned and adjusted. Repeat for both rear clamp assemblies.

**HARD FOLDING TONNEAU COVER INSTALLATION GUIDE**

**STEP FIVE: INSERT STRIKER BOLTS**



**INSERT AND SECURE STRIKER BOLTS:**  
Pre-assemble the striker bolt with 2 washers and thread it into the T-nut.



With the front and rear panels still in their fully open positions, install the striker bolts, T-nuts and washers (V, S & U). Slide the T-nut assembly into the T-slot in the striker clamp bracket as shown in the picture above.

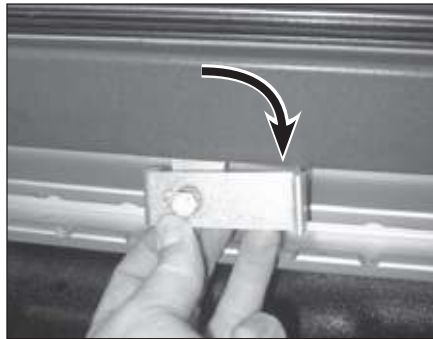


Tighten the striker bolt finger tight and repeat this step for all four of the striker clamp brackets.

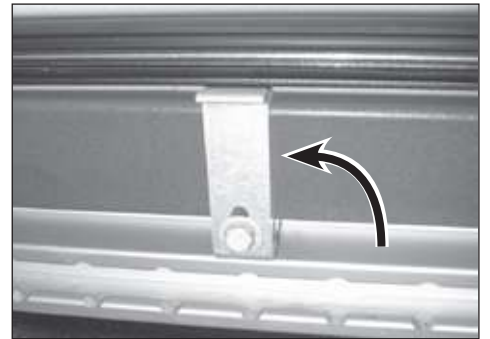
**STEP SIX: CENTER CLAMP BRACKET INSTALLATION**



**INSTALL CENTER CLAMP BRACKETS:**  
Pre-assemble the center latch clamp (O for 6' box or P for the 5' box) with the inner clamp (R) and (M, L and S) bolt and washers.



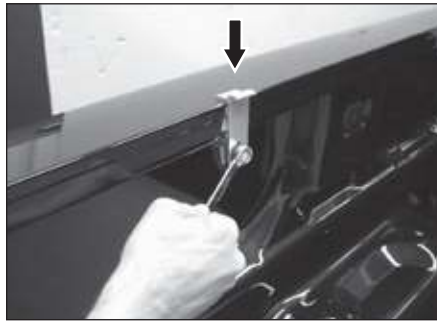
Rotate the inner clamp 90 degrees while moving the assembly in to place allowing the inner clamp to slip behind the return lip of the bed rail.



Rotate the outer clamp to the upright position as shown above and tighten the assembly finger tight.



With the tailgate open and the rear panel closed, locate the center latch mechanism on the bottom of the number 3 panel. Slide the complete center latch clamp assembly into place as shown above. Repeat this for both sides.



Return the cover to the fully open position and apply downward pressure to the positioned center latch clamp assembly while tightening the bolt to 70 in. lbs. (7.9 N. m.)

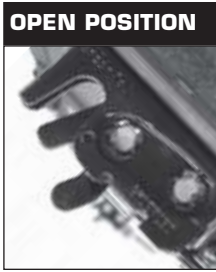
**IMPORTANT NOTE:**  
**ALWAYS FULLY OPEN THE REAR PANEL FIRST AND CLOSE THE REAR PANEL LAST.**

To insure proper operation of the center latch mechanism always open and fold the rear panel of the cover to its fully open position before starting any folding motion of the second or third panels, continue the opening sequence by folding the second and third panel to the fully open position and secure the docking straps. To close the cover, reverse these steps in the same order, making sure to close the rear panel last.



**HARD FOLDING TONNEAU COVER INSTALLATION GUIDE**

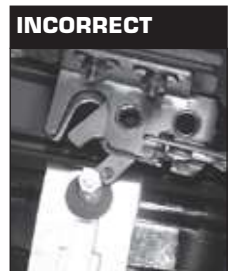
**STEP SEVEN: ALIGN & ADJUST ROTARY LATCHES**



**OPEN POSITION**



**CORRECT**



**INCORRECT**

Open the tailgate of the truck. Make sure the rotary latches are in their open position on both panels.

Gently lower either the front or the rear panel toward its closed position making careful note of the alignment of the striker bolts on the truck and the U-shaped striker bolt receiver in the rotary latch on the cover.

The U-shaped groove on the latch should be centered directly over the striker bolt.



If the striker bolt is not centered adjust it as follows. Loosen the 3/8" nuts on the latch assembly to slide the latch fore or aft until it is centered over the striker bolt on the truck.



*Note: (If the rotary latch can not be properly adjusted check the position of the striker clamp assemblies. Additional adjustment is available by loosening and repositioning the striker clamp bracket assembly)*



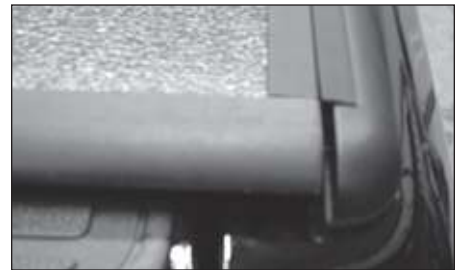
Repeat until all four latches are centered over their respective striker bolts.



Close the tailgate of the truck and return the cover to its fully closed position on both the front and rear panels. Re-check the spacing and alignment of the wind seal rails with the cover.



Return the cover to the closed position to make the vertical adjustment of the striker bolts. Use the 5/16" wrench to adjust the striker bolt height as shown in the picture above.



With the front and rear panels in their closed positions the top of the cover should be adjusted flush with the top of wind seal rails. Tighten the four striker bolts to 70 in. lbs. (7.9 N. m.).



To close and latch the front or rear panels simply use a smooth, firm downward pressure on the panel. (Start the downward closing motion approximately 12 inches before the panel reaches its closed position)



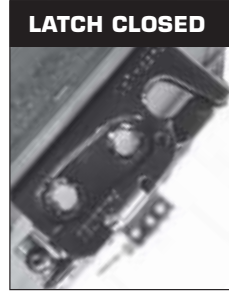
**Note: Striker bolt setting may require readjustment after blade seals are installed in Step Nine.**

**HARD FOLDING TONNEAU COVER INSTALLATION GUIDE**

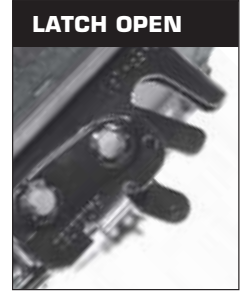
**STEP EIGHT: ADJUST LATCH TIMING**



Hold the rear panel in an open position at approximately a 45 degree angle with one hand. With your other hand manually close both the driver and passenger side rotary latches.



**LATCH CLOSED**



**LATCH OPEN**

With the cover in this suspended position operate the latch release handle. Both latches should open at the same time about half way through the travel of the latch release handle. If both latches release simultaneously no further adjustment is required, and you may tighten the cable end jam nuts as pictured below.



If any adjustment is required simply adjust the cable length at either latch as shown.

Turning the cable end nut clockwise will make that latch release sooner; turning the cable end nut counter-clockwise will make that latch release later. When adjustments are complete, you may tighten the cable end jam nuts as pictured to the right.



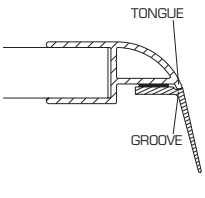
Using two small adjustable wrenches tighten the cable end jam nuts.

Repeat this adjustment sequence for the latches on the front panel.

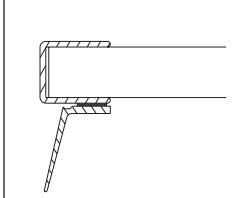
**HARD FOLDING TONNEAU COVER INSTALLATION GUIDE**

**STEP NINE: ATTACH FRONT & REAR BLADE SEALS**

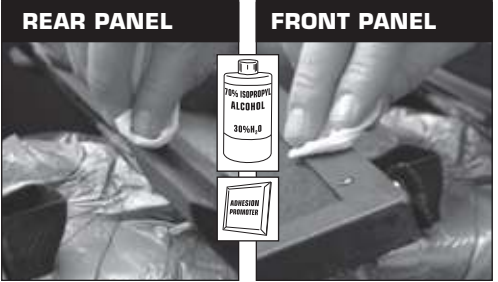
**REAR SEAL**



**FRONT SEAL**



SURFACE TEMP  
**70°F**  
OR ABOVE



**Note:** Using 2 foam corner packing blocks support the open front and rear panels of the cover as shown.

Surface temperatures below 70 degrees F will adversely effect the bond strength of the seal adhesive.

With the front and rear panels open and supported on the foam packing blocks; clean the seal surfaces with 70% isopropyl alcohol.

**Note:** Surface must be free of dust, dirt, oil and moisture. Make sure to clean the seal mating surfaces with either isopropyl or denatured alcohol as these solvents leave no residue that could effect the bond strength.

Apply the adhesion promoter (FF) to both panels as shown in fig. 1. Allow the adhesion promoter to dry to the touch before starting the blade seal installation.



**ATTACH REAR BLADE SEAL**

Expose a small section of the adhesive tape (4"-6") on the blade seal (G) as shown in fig. 2. Align the seal with the end of the panel making sure the tongue on the panel and the groove in the seal fit together as shown in the line drawing (far left).



Work across the panel exposing small sections of the adhesive and aligning the seal.

**Note:** Do not stretch the seal as it is being placed on the cover.

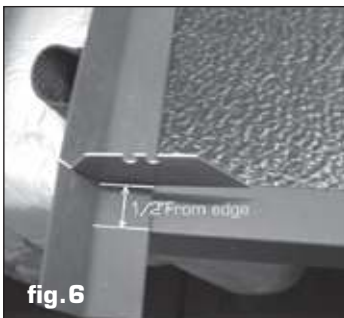


**ATTACH FRONT BLADE SEAL**

When you reach the end of the panel trim the excess seal material flush with the end of the panel with the razor knife. Firmly press the seal in place across its entire length.



Expose a small section of the adhesive tape (4"-6") on the blade seal (G) and align the seal with the back edge of the channel starting 1/2" from the outside edge of the cover as shown in fig. 5.

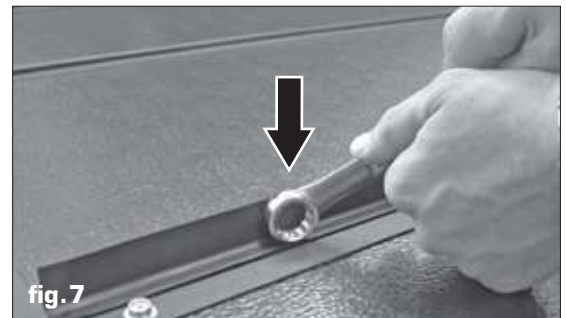


Work across the panel exposing small sections of the adhesive and aligning the seal. When you reach the end of the panel trim the excess seal material 1/2" from the outside edge of the cover with the razor knife as shown above.



**APPLY PROTECTANT TO UNDERSIDE OF BLADE SEALS USING A CLEAN CLOTH:**

With the seals completely installed apply a light coat of Armor All® or a similar silicone protectant to the underside of both the front and rear blade seals using a clean, dry cloth.



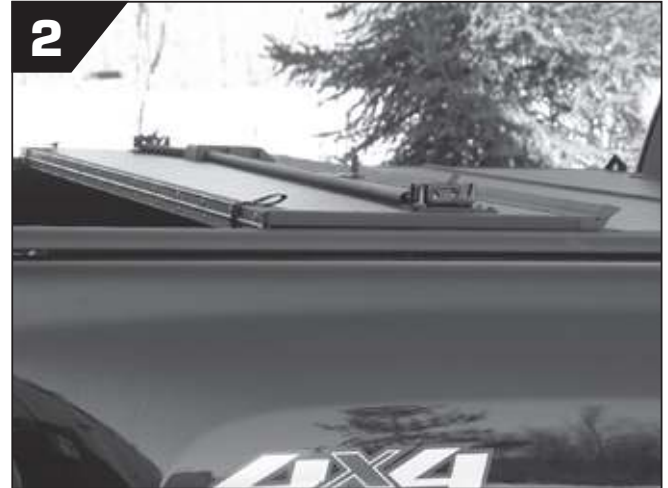
To ensure proper transfer of the adhesive use the box end of a combination wrench or a similar tool to apply concentrated pressure to the blade seal as shown in fig.7. Start at one end of the seal and work the tool across the panel applying firm even pressure. Repeat for both the front and the rear seal.

**Note:** Closing the cover requires a smooth, firm downward pressure on the panel. Due to the nature of the rubber blade seals, it will initially take extra closing pressure until the memory in the seal material conforms to the seals final shape in the closed position.

**HARD FOLDING TONNEAU COVER OPERATIONAL INSTRUCTIONS**



To open the cover lift the latch release handle and open the rear panel to the fully open position.



To insure proper operation of the center latch mechanism always open and fold the rear panel of the cover to its fully open position before starting any folding motion of the second or third panels.



Continue the opening sequence by folding the second and third panel to the fully open position.



With the cover in the fully open and stacked position secure all three docking straps. It is important to secure the docking straps at all times when the cover is in the fully open position.



To close the cover, reverse these steps in the same order, making sure to close the rear panel last.

**Note: Only operate the vehicle with the cover in the closed and latched position or the fully open position with the docking straps securely fastened. Operation of the vehicle with the cover in partially opened positions can cause severe damage to the cover and possibly the vehicle.**